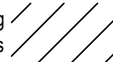
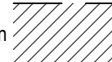

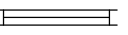

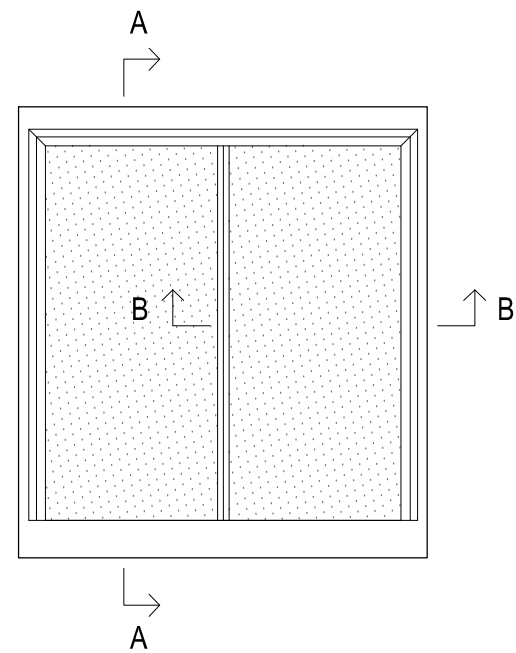
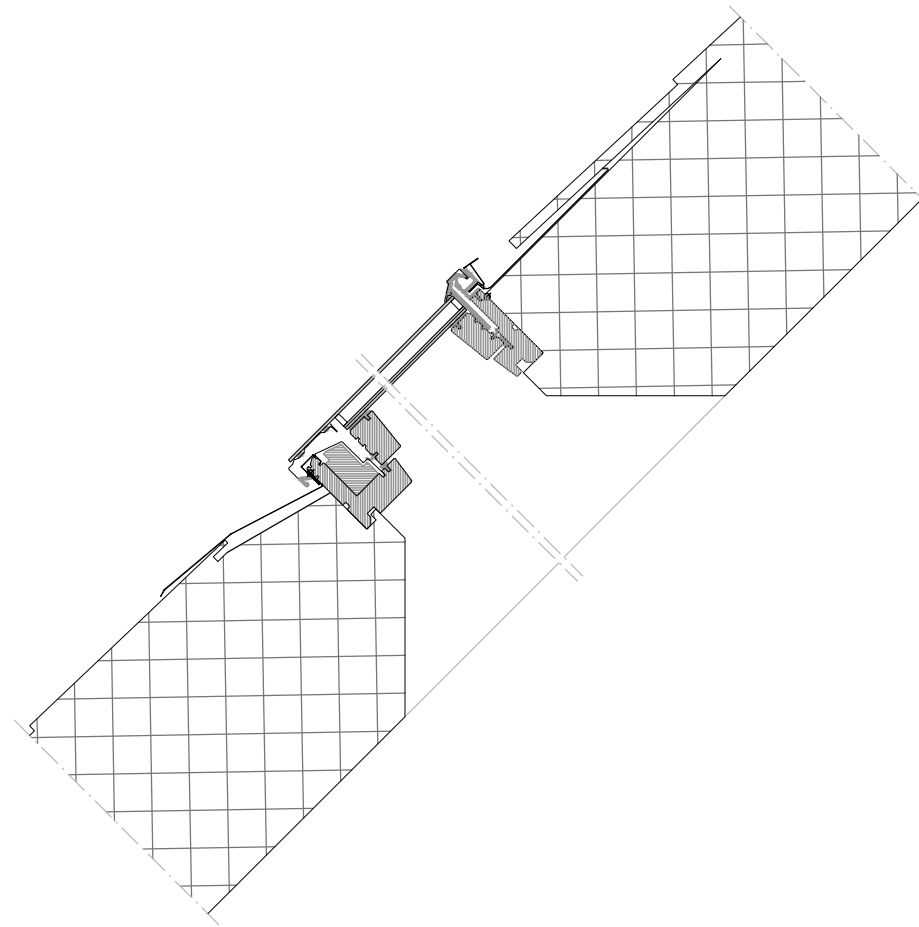


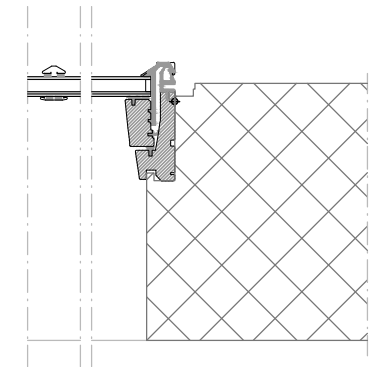
Adjoining properties  Assumed/ hidden  Existing structure  PROPOSED LEGEND  New walls  New exteriors  New Glazing



@ 1/20



A-A @ 1/10



B-B @ 1/10



Proposed: Conservation Style Rooflight Details

DOLL & Co.

ARCHITECTURE/DESIGN

33 Newman Street, London, W1T 1PY, 0203 8707 262 , www.dollandco.com

This drawing is protected under Copyright and at no time should any portion of this drawing be reproduced or copied without the permission of The Architect (Design Copyright Act 1988). This drawing must not be used for purposes other than that for which it is provided. It is supplied without liability for any errors or omissions and is subject to statutory consents. All drawings are to be read in conjunction with any relevant specifications, consultant, manufacturer and specialist information. Drawings are to be scaled for planning application purposes only. All dimensions are to be checked on site by, and remain the responsibility of, the Main Contractor - any and all discrepancies are to be brought to the attention of The Architect.

REV: DESCRIPTION
 0 FIRST ISSUE

BY: CHK: DATE: Notes:
 AGS NS 17.06.24

FOR PLANNING PURPOSES ONLY

Address: 55 CHRISTCHURCH ROAD LONDON SW14 7AQ
 Drawing: PROPOSED: ROOFLIGHT DETAILS
 Scale: 1:10 @A3 Drawing no: **0556 -PL- 291** Revision: **0**