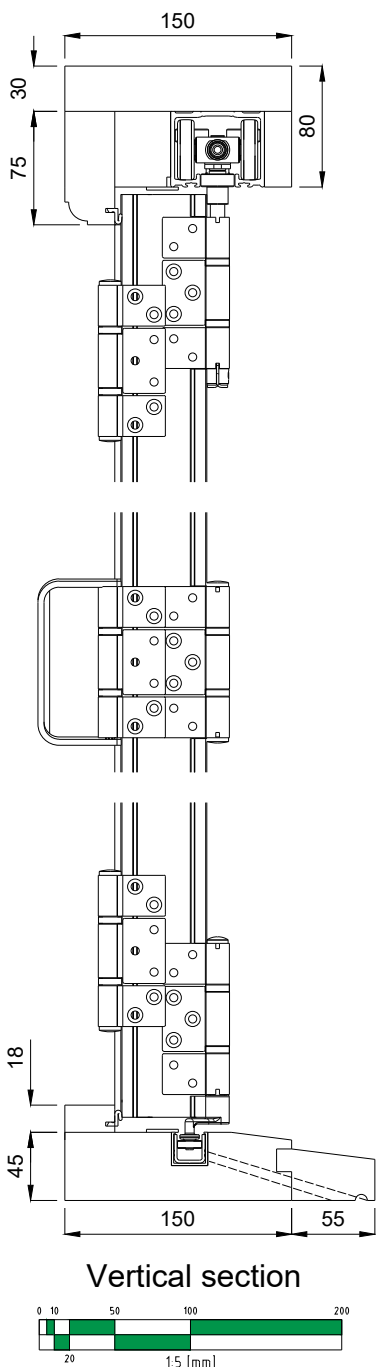
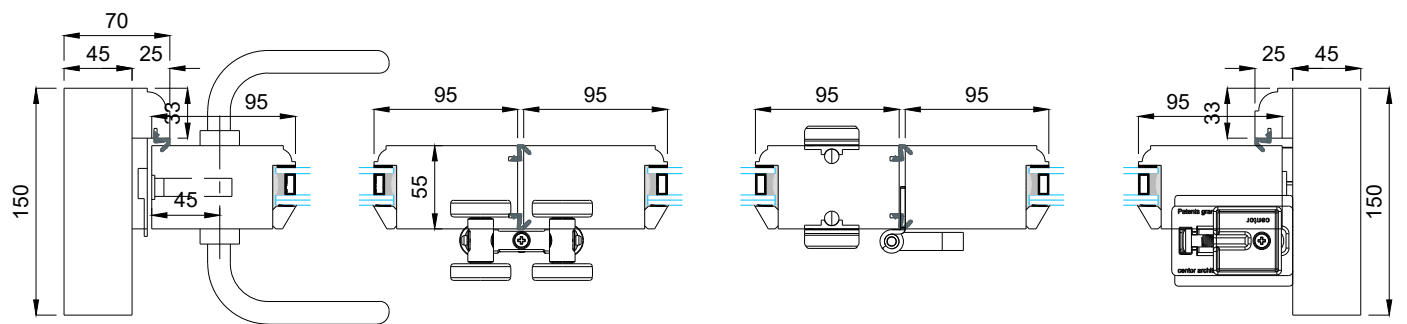


**D1**  
**Gfl - Rear Elev. Lounge**  
**Qty 1**  
 Viewed from outside



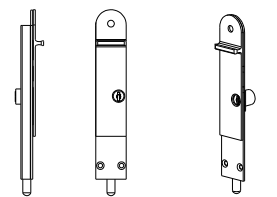
**Vertical section**



**Horizontal section**

**Note:**

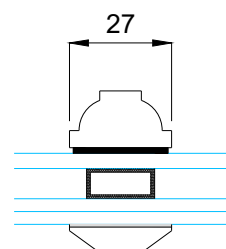
1. Bi Folding doors to be glazed with clear 4tgh/14/6.8 lam acoustic glass, Low-E argon filled double glazed units with **white spacer**. Black security glazing tape.
2. All timber to be Accoya doors / Hardwood frame.
3. Doors to be fully weather stripped with schlegel aquamac soft compression;
4. Hardware: Centor folding hardware including
  - 4.1. drop bolts/hinges/door magnetic catch - brushed stainless steel;
  - 4.2. top track and bottom guide channel - aluminium natural anodised;
5. Personel door to come with Hurricane multipoint locking system;
6. Frame and sashes IN & OUT - to match RAL 9016 Traffic white, 30% sheen;



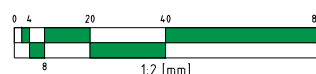
Dropbolts (**DB**) installed inside  
 200mm lower - keyed  
 600mm upper - non-keyed



www.handles4u.co.uk  
 Anvil 33037R Black Monkeytail Euro  
 Handles 92mm RH  
 33037R  
 Black Finish



**Glazing bar detail**



Scale	ALL@A3	Drawing No.	I1018_14
Date	28/06/24	Rev/Issue	0
Dimension	mm	Drawn by	MT

**I1081 - 82 Cambridge Road Teddington  
 TW11 8DN**  
 Proposed sections & details to folding  
 doorset



Timbawood Ltd,  
 Unit 9, Mount Road Ind. Est. Feltham, TW13 6AR  
 Tel: 0800 043 2499 Fax: 0208 867 2767  
 email: mail@timbawood.co.uk web: www.timbawood.co.uk