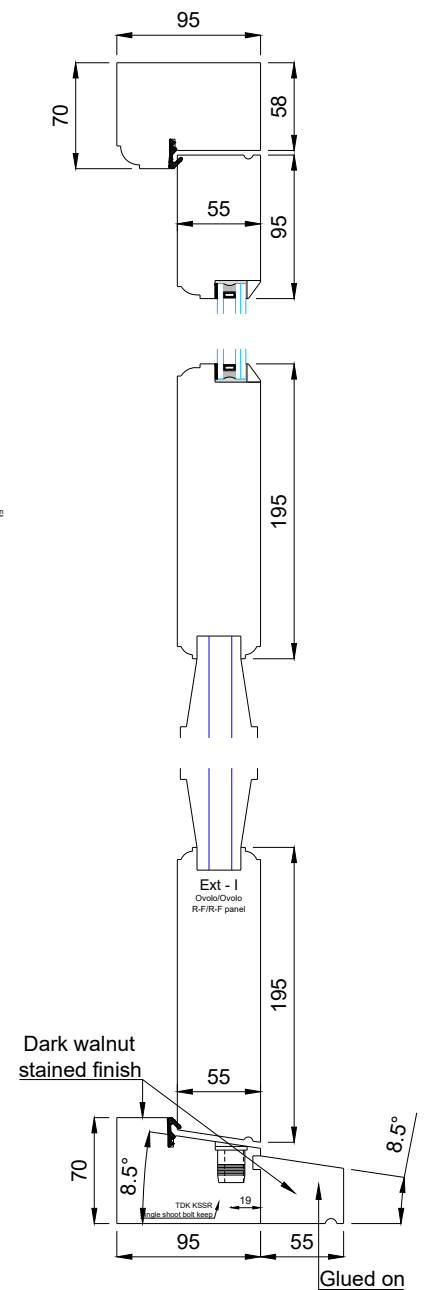
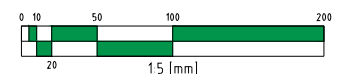


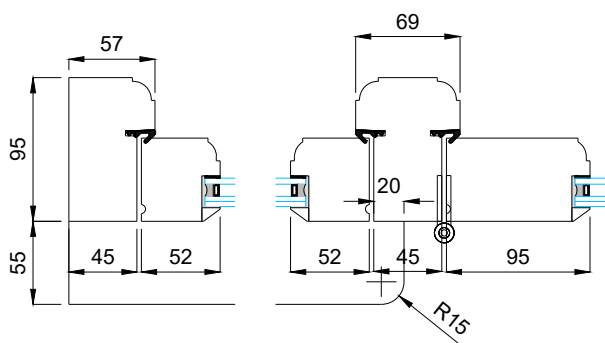
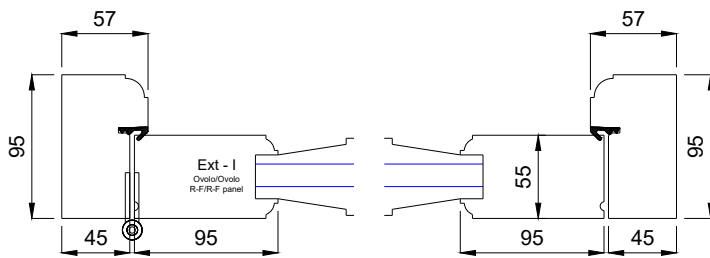
Vertical section - sidelight



Vertical section - Doors

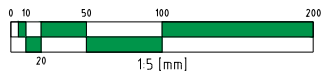


Panel section



Glazed section

Horizontal section

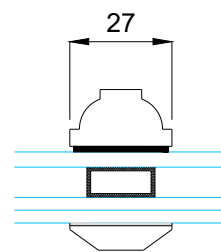


Note:

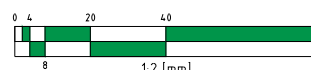
1. Doors/sidelight to be glazed with clear 4tgh/14/6.8 lam acoustic glass, Low-E argon filled double glazed units with **white spacer**. Black security glazing tape.
2. All timber to be Accoya doors / Hardwood frame.
3. Doors to be fully weather stripped with schlegel aquamac soft compression;
4. Hardware: Centor folding hardware including
  - 4.1. drop bolts/hinges/door magnetic catch - brushed stainless steel;
  - 4.2. top track and bottom guide channel - aluminium natural anodised;
5. Personel door to come with Hurricane multipoint locking system;
6. Frame and sashes IN & OUT - to match RAL 9016 Traffic white, 30% sheen;



www.handles4u.co.uk  
Anvil 33037L Black Monkeytail Euro Espag  
Handles 92mm LH  
33037L  
Black Finish



Glazing bar detail



Scale	ALL@A3	Drawing No.	I1018_15
Date	28/06/24	Rev/Issue	0
Dimension	mm	Drawn by	MT

**11081 - 82 Cambridge Road Teddington  
TW11 8DN**  
Proposed sections & details to folding  
doorset



Timbawood Ltd.  
Unit 9, Mount Road Ind. Est. Feltham, TW13 6AR  
Tel: 0800 043 2499 Fax: 0208 867 2767  
email: mail@timbawood.co.uk web: www.timbawood.co.uk