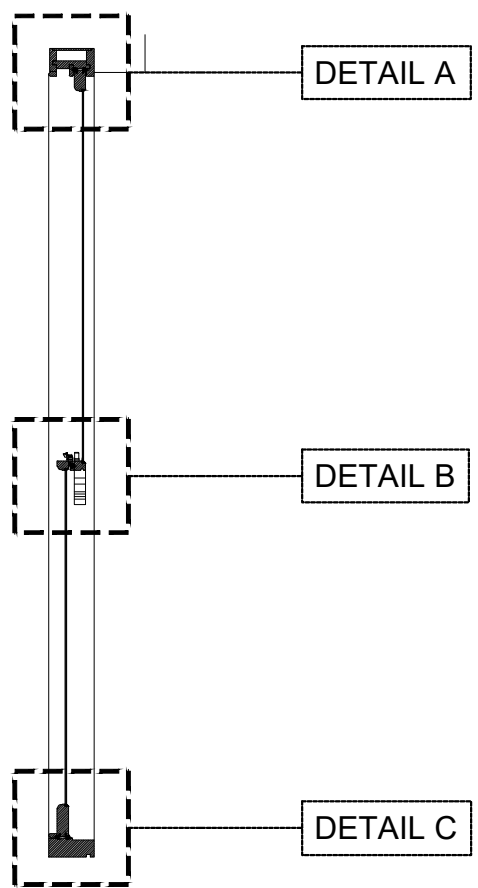
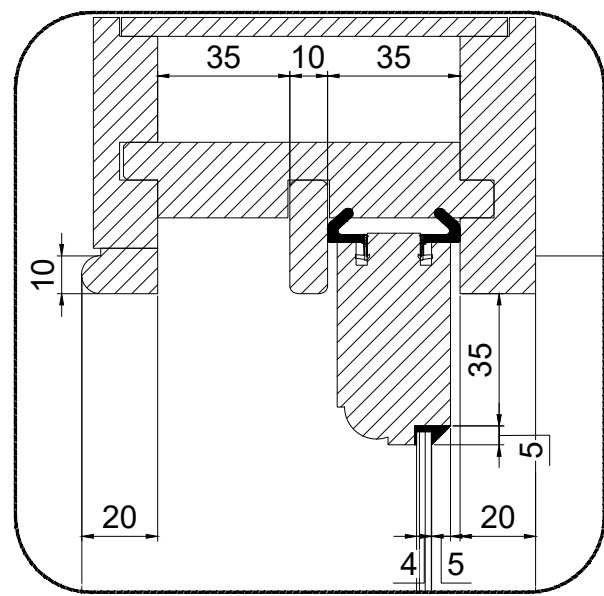


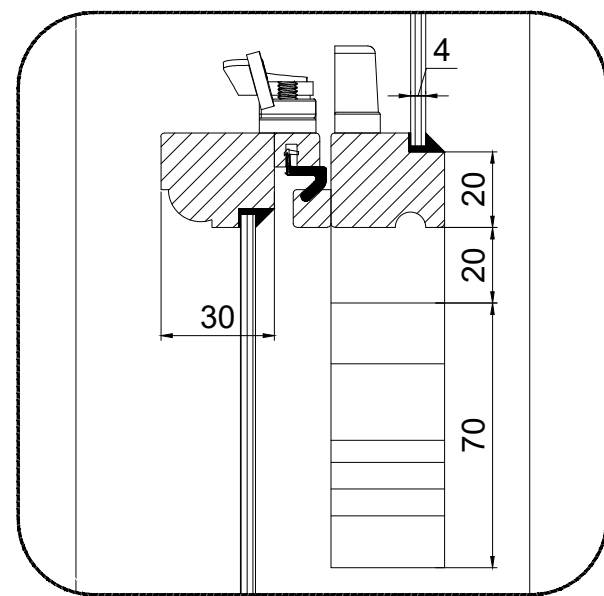
01 FRONT VIEW
1:20 @ A3



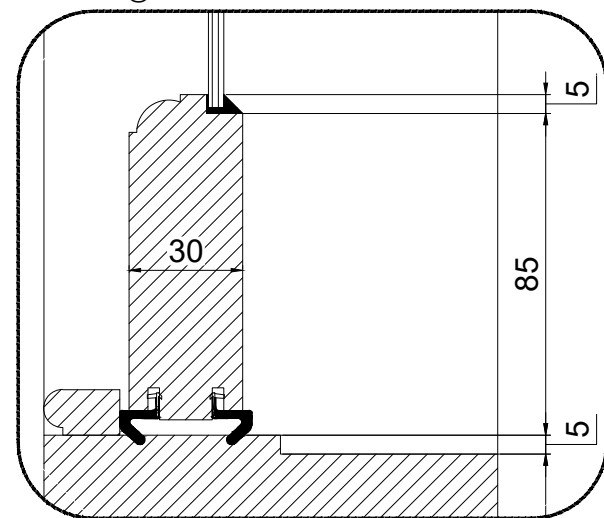
02 SECTION B
1:20 @ A3



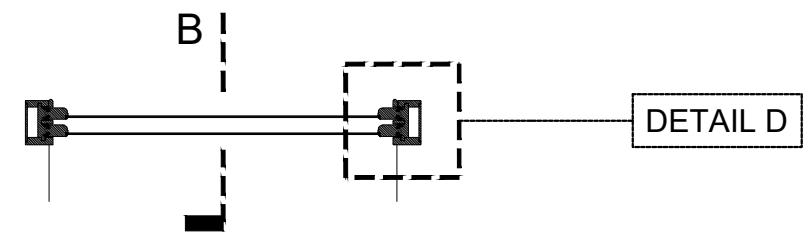
07 DETAIL A
1:2 @ A3



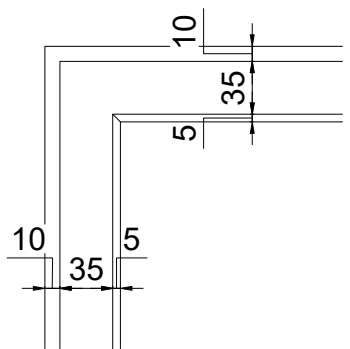
08 DETAIL B
1:2 @ A3



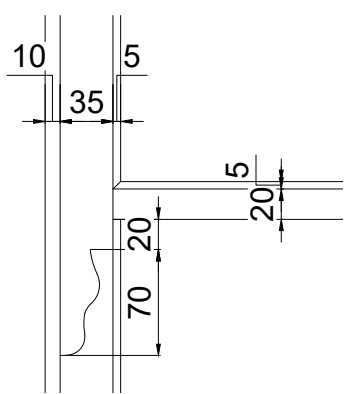
09 DETAIL C
1:2 @ A3



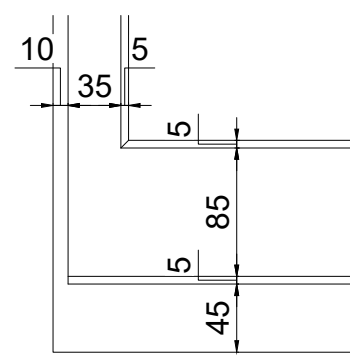
03 PLAN SECTION A
1:20 @ A3



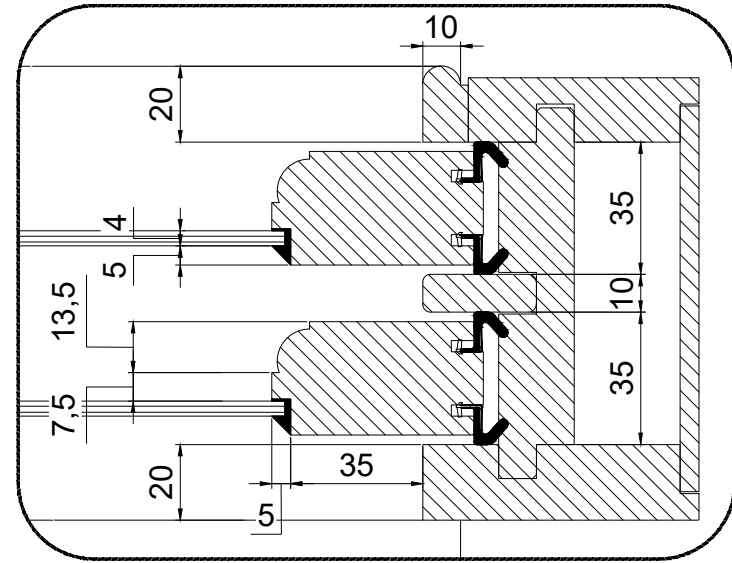
04 DETAIL 1
1:5 @ A3



05 DETAIL 2
1:5 @ A3



06 DETAIL 3
1:5 @ A3



10 DETAIL D
1:2 @ A3