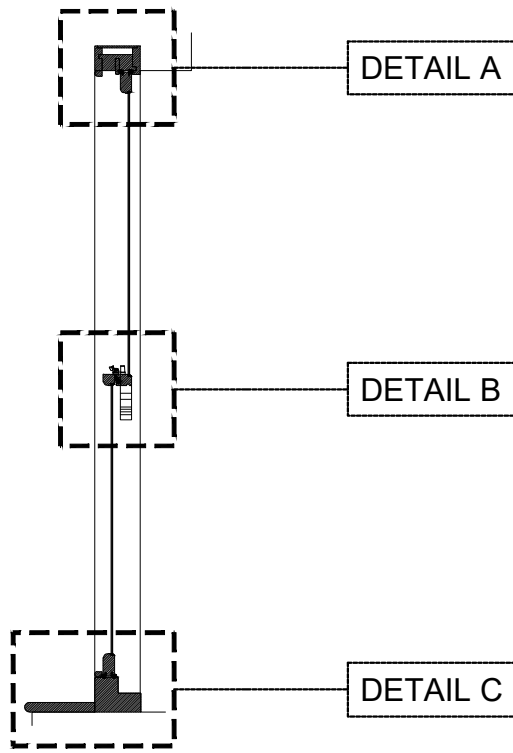
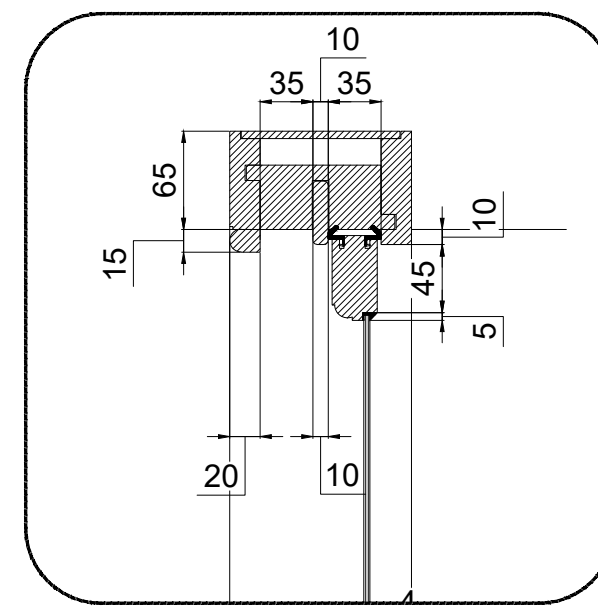


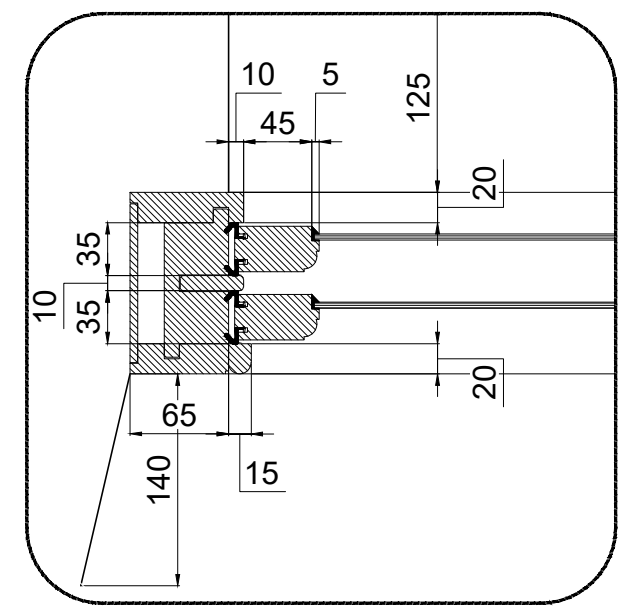
01 FRONT VIEW - INTERIOR  
1:20 @ A3



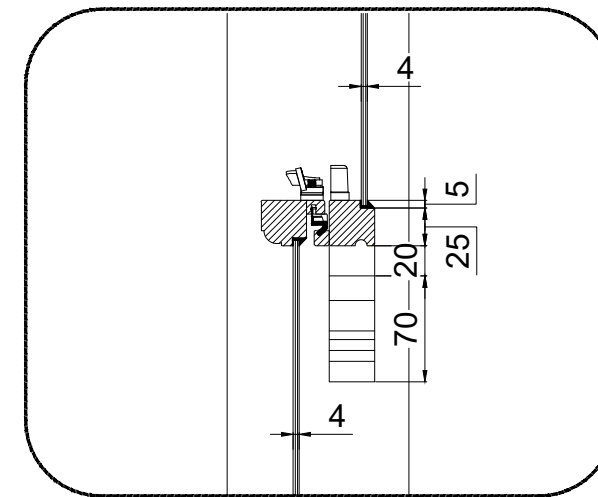
02 SECTION B  
1:20 @ A3



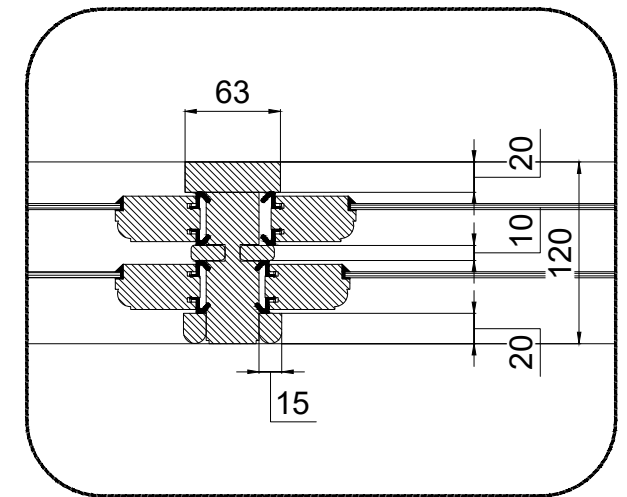
04 DETAIL A  
1:5 @ A3



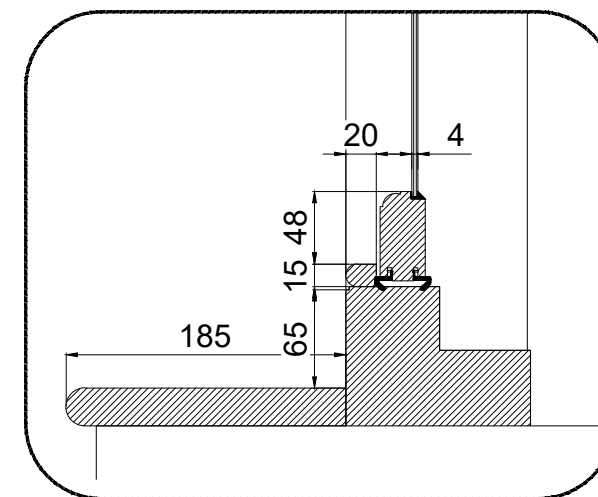
07 DETAIL D  
1:5 @ A3



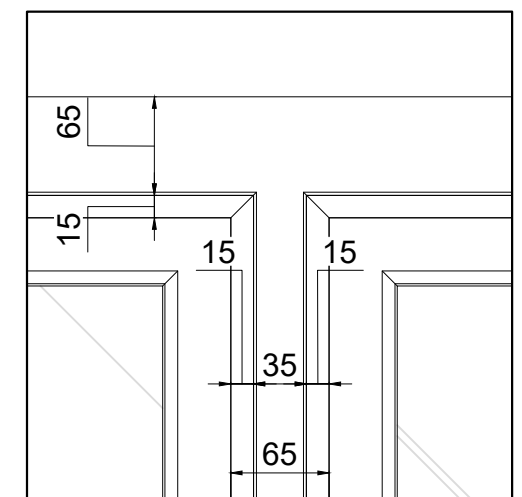
05 DETAIL B  
1:5 @ A3



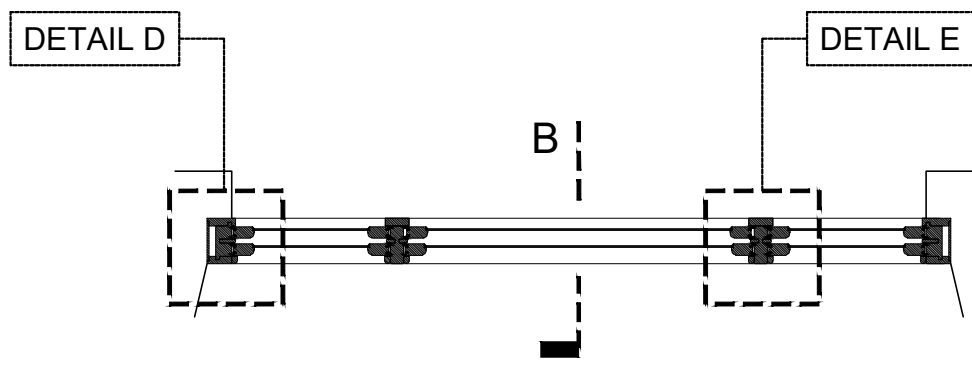
08 DETAIL E  
1:5 @ A3



06 DETAIL C  
1:5 @ A3



09 DETAIL 1  
1:5 @ A3



03 PLAN SECTION A  
1:20 @ A3

MICHAEL HUGHES  
ARCHITECTURE

TITLE:  
TYPICAL VENETIAN WINDOW

SCALE: VARIES @ A3 DATE: 27/11/23

DRAWN BY: SDB

DRAWING NUMBER:

0000-000-000