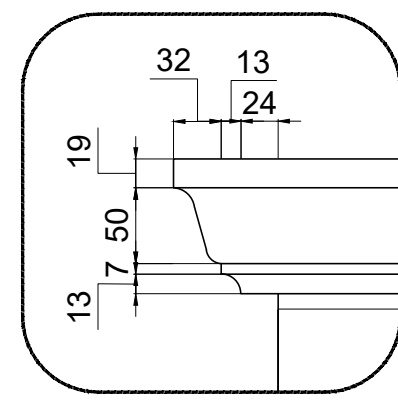
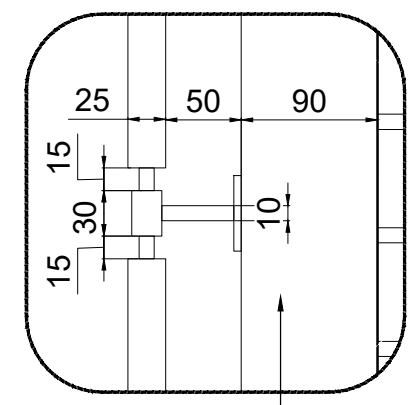


03 PEDESTRIAN ENTRANCE
1:20 @ A3

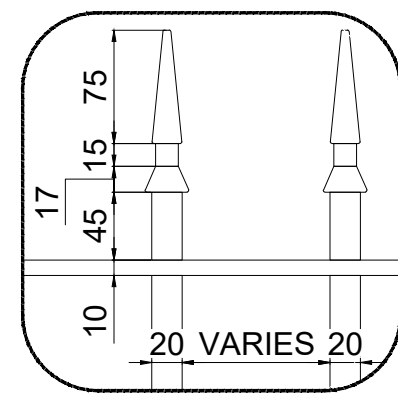


05 DETAIL A
1:5 @ A3

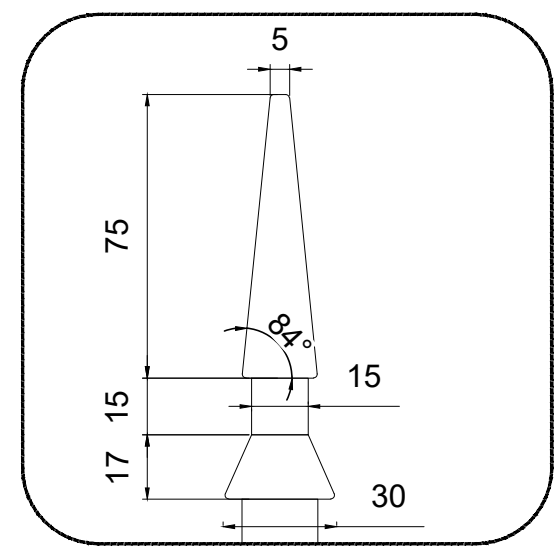


08 DETAIL D
1:5 @ A3

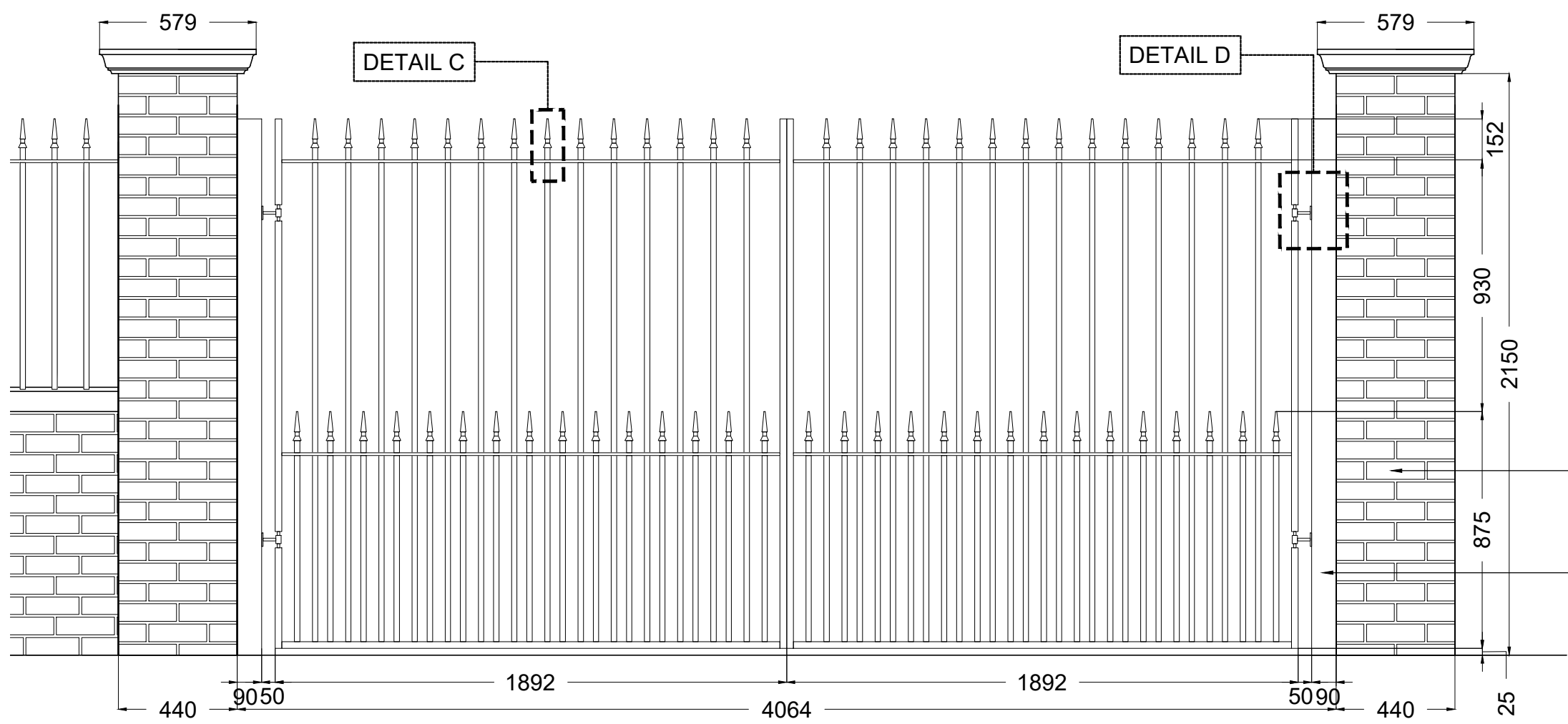
Metal post



06 DETAIL B
1:5 @ A3



07 DETAIL C
1:2 @ A3



04 GARAGE ENTRANCE
1:20 @ A3

Existing pier N13

Metal post supporting the vehicular gate to be concrete cast into the ground not relyig on number 13's pillar for any structural support.

MICHAEL HUGHES ARCHITECTURE
PROJECT: 15 ST PETER'S ROAD
TITLE: PROPOSED FRONT GARDEN
SCALE: VARIES@A3 DATE: 12/12/23
DRAWN BY: SDB
DRAWING NUMBER: 2019-136-902A