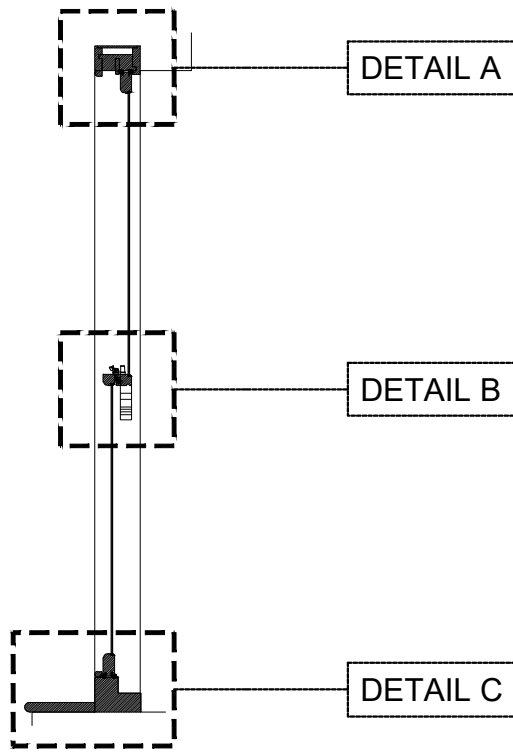
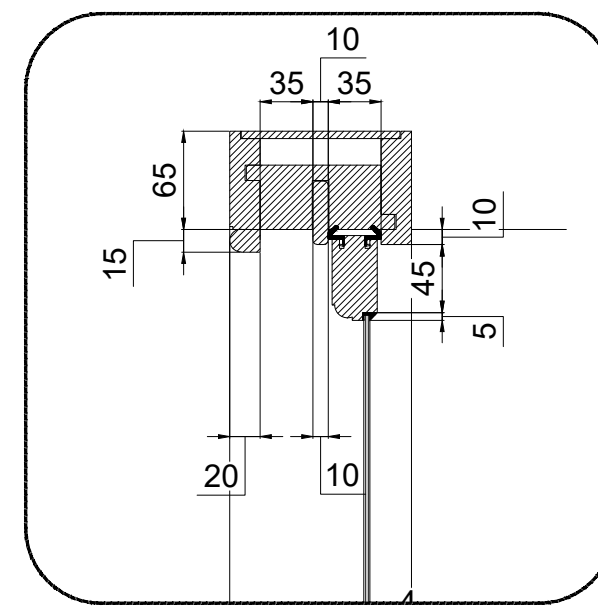


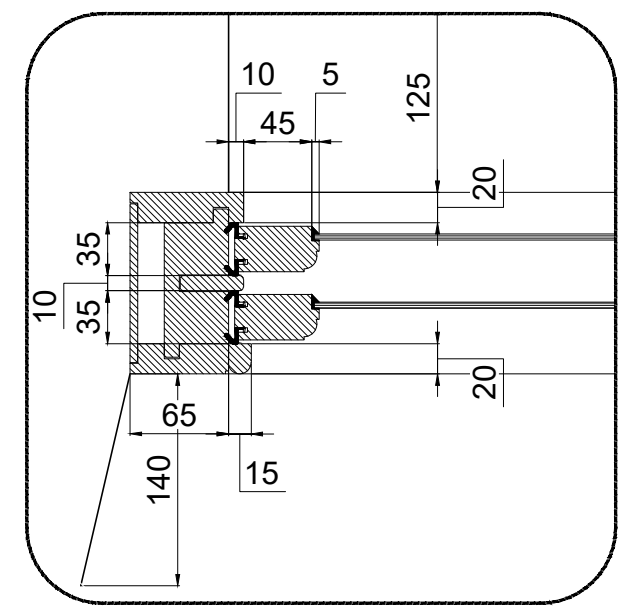
01 FRONT VIEW - INTERIOR
1:20 @ A3



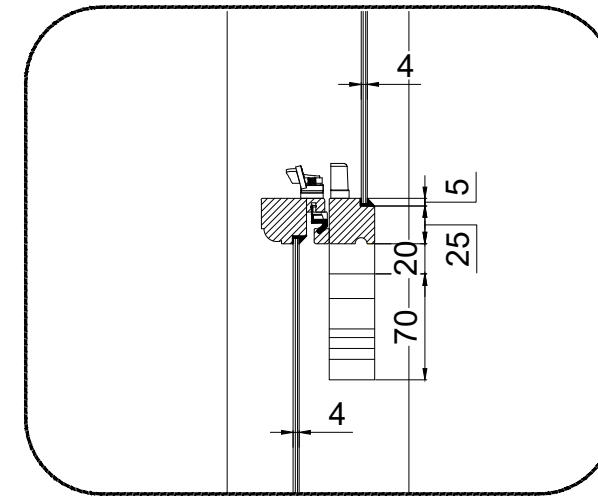
02 SECTION B
1:20 @ A3



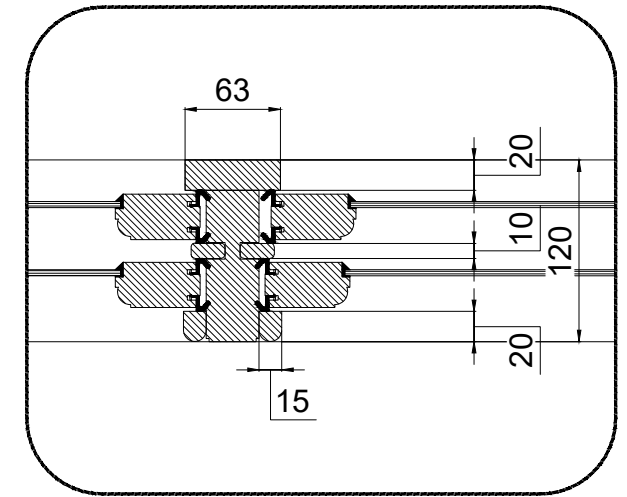
04 DETAIL A
1:5 @ A3



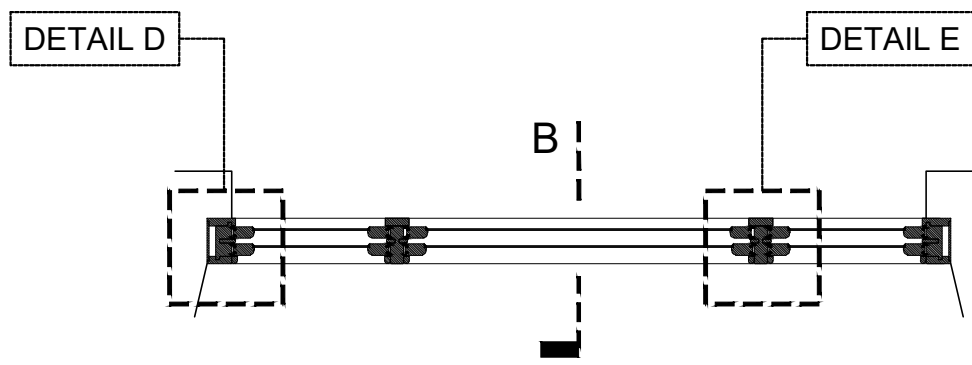
07 DETAIL D
1:5 @ A3



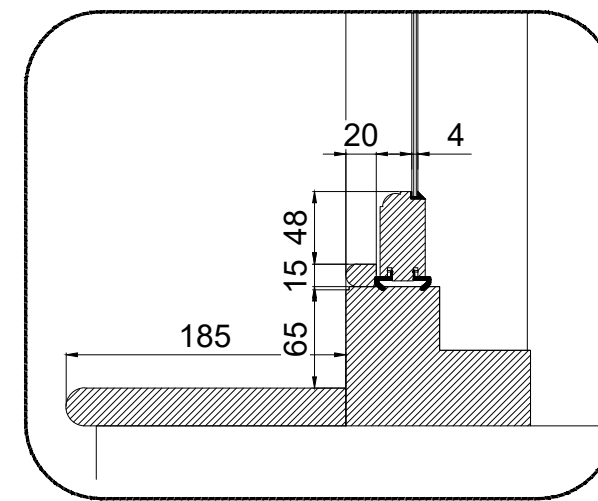
05 DETAIL B
1:5 @ A3



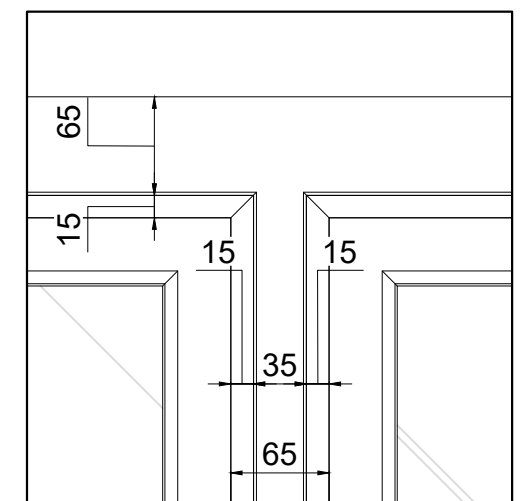
08 DETAIL E
1:5 @ A3



03 PLAN SECTION A
1:20 @ A3



06 DETAIL C
1:5 @ A3



09 DETAIL 1
1:5 @ A3

MICHAEL HUGHES
ARCHITECTURE

TITLE:
TYPICAL VENETIAN WINDOW

SCALE: VARIES @ A3 DATE: 27/11/23

DRAWN BY: SDB

DRAWING NUMBER:

0000-000-000