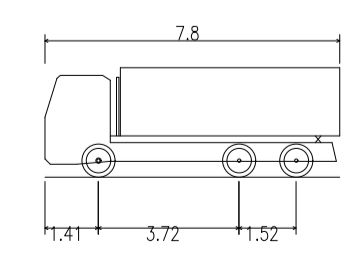
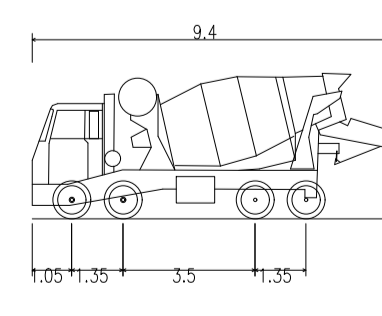




File name: \\UK-WSP-GROUP\COMMON\DATA\PROJECTS\70119108-SK-002\DWG printed on 10 April 2024 14:55:45 by Russell_Mat



7.8m Tipper Truck (3 Axle)
 Overall Length 7.800m
 Overall Width 2.800m
 Overall Body Height 2.47m
 Min Body Ground Clearance 0.34m
 Track Width 2.47m
 Lock to lock time 8.00s
 Kerb to Kerb turning Radius 9.120m



4 Axle Concrete Mixer
 Overall Length 9.400m
 Overall Width 2.500m
 Overall Body Height 4.02m
 Min Body Ground Clearance 0.36m
 Max Track Width 2.413m
 Lock to lock time 8.00s
 Kerb to Kerb turning Radius 9.000m

P01	10/04/2024	MR	FIRST ISSUE	AT	AT
REV	DATE	BY	DESCRIPTION	CHK	APP

DRAWING STATUS: S0 - WORK IN PROGRESS



WSP House, 70 Chancery Lane, London, WC2A 1AF, UK
 T+ 44 (0) 207 314 5000, F+ 44 (0) 207 314 5111
 wsp.com

CLIENT:

ARCHITECT:

SITE/PROJECT: KEW RIVERSIDE

TITLE: DEMOLITION AND CONSTRUCTION VEHICLE
 SWEEP PATH ANALYSIS
 SHEET 1 OF 2

SCALE @ A1:	CHECKED:	APPROVED:
1:500	AT	AT
PROJECT NO:	DESIGNED:	DRAWN:
70119108	MR	MR
		DATE:
		April 24

DRAWING NO:	REV:
70119108-SK-002-01	P01