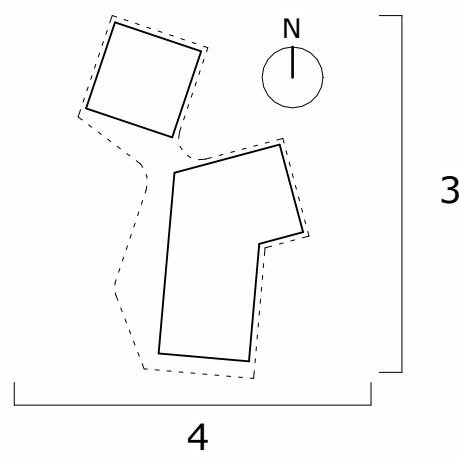




Key Plan



Key

C1	Timber Cladding
D1	Aluminium glazed Main Entrance/ Exit Doors
D2	Timber Doors
D3	Folding Doors
D4	Steel Security Doors
F1	Fall Arrest/Restraint System
G1	Glulam columns
L1	Plant Enclosure Louvres
P1	Flexible Photovoltaic
R1	Roof Lights
R2	Bitumen Membrane Flat Roof
R3	Green Roof
R4	Sun Tunnels
S1	External Galvanised Steel Stairs
W1	Aluminium Window
W2	Motorised Ventilation Aluminium Window
Z1	Standing Seam Roof/ Cladding



3 Proposed East Elevation
 1 : 100



4 Proposed South Elevation
 1 : 100

P4	18/07/24	Issue for information
P3	08/07/24	Issue for information
P2	03/07/24	Issue for information
P1	12/04/24	Draft Issue for Planning
Rev.	Date	Description

DavidMorleyArchitects

170 Kewington Lane, London SE11 5DP
 T +44 (0)20 7430 2444
 davidmorleyarchitects.co.uk

Project
 Roehampton Gate, Richmond Park
 Client
 The Royal Parks

Title
 East and South Elevation

Project and Drawing Number	Revision
732-15-011	P4
Date	Scale
12/04/2024	1:100 @ A1