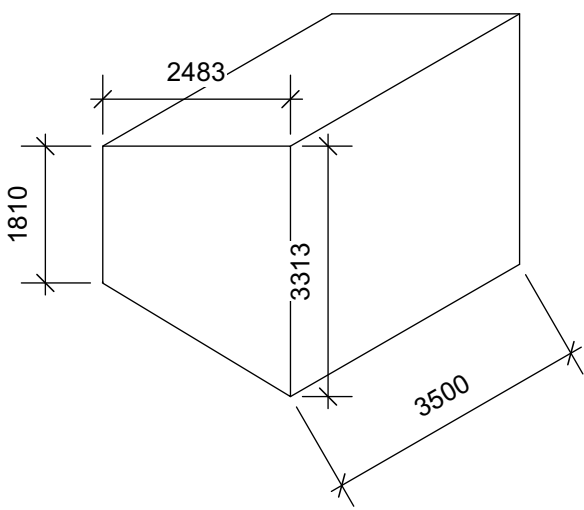


MAIN DORMER VOLUME  
 $((3.4 \times 2.4)/2) \times 4.4 = 17.9m^3$



REAR DORMER VOLUME:  
 $(((1.81 + 3.3)/2) \times 2.48) \times 3.5 = 22m^3$

TOTAL VOLUME:  
 $17.9 + 22 = 39.95m^3$



58 Mitchell Rd  
Palmers Green, London  
N13 6EE

079 4417 4417

info@d-2-b.com

Site Address:

52 Arlington Road, Teddington

Drawings:

**Volume Calcs**

Scale:

1:100 @ A3

Drawings  
Rev 1

Drawing Nr.  
52AR-PD-08

This drawing is the property of Design2Build London Limited. It may not be duplicated or disclosed to any third party purposes except as authorised in writing by Design2Build London Limited. All dimensions are to be verified on site prior to any work commencing. This drawing is to be read in conjunction with any relevant specialist drawings/documents/specification and any discrepancies or variations are to be notified to Design2Build London Limited before the affected work commences. Contractor to ensure all works conform to the local authority planning, fire, health and safety regulations.