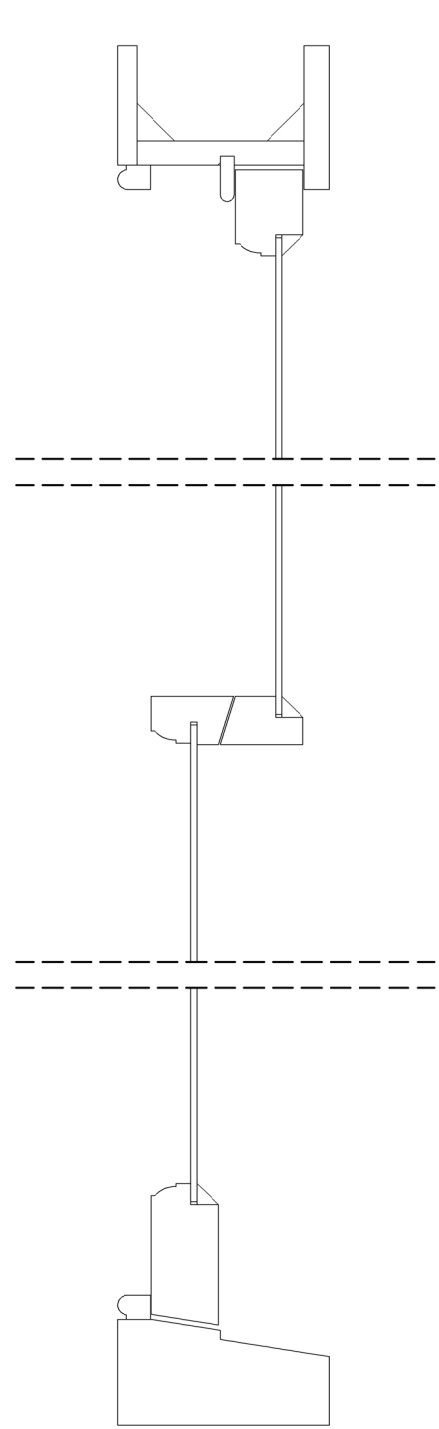
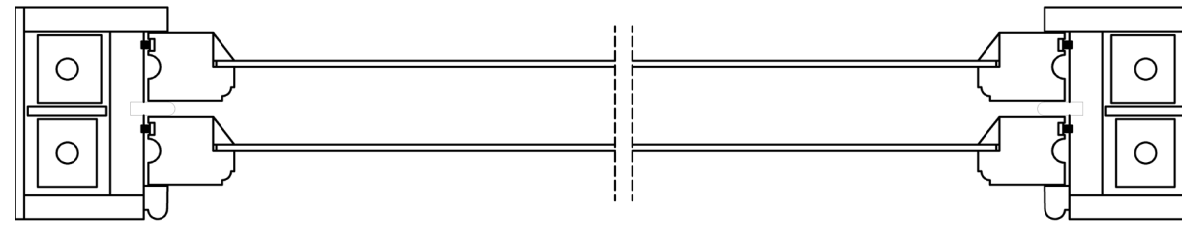


Sash Window Detail Existing and Proposed Detail



Existing Single Glazed Section
1:5 @ A3

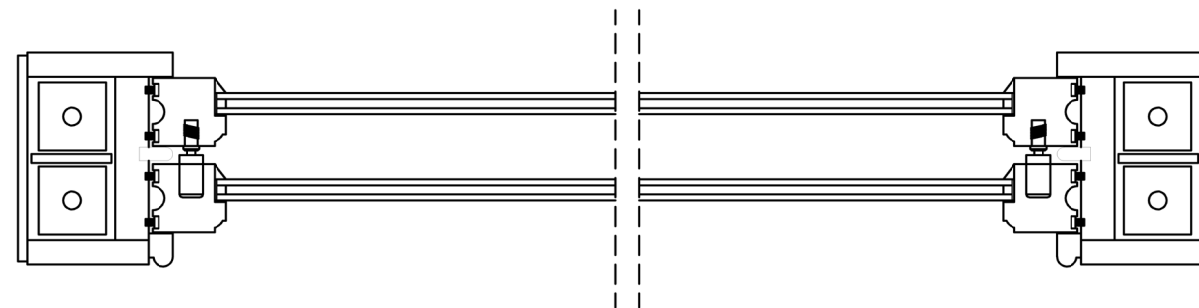


Existing Single Glazed Plan
1:5 @ A3

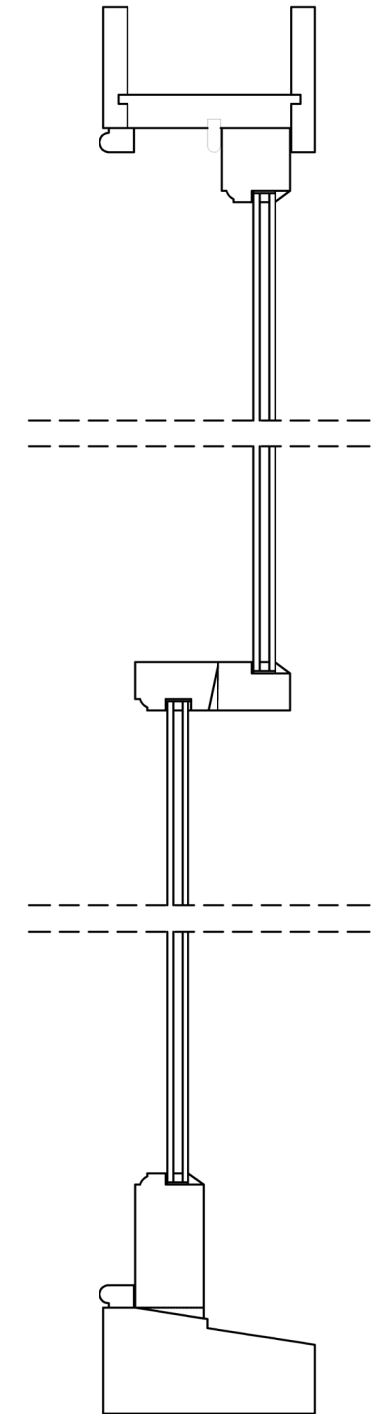
Existing and Proposed Sash Windows

Window W3
Existing and Proposed Details 1:5 @ A3

Sections and Plans



Proposed Slim Lite Double Glazing Plan
1:5 @ A3



Proposed Slim Lite Double Glazing Section
1:5 @ A3

Drawing Issued For: Planning Permission and Listed Building Consent

Project: 34 King George Square, Richmond, TW10 6LG
--


Client: Roma Van Den Bergh

Drawing Title: Existing and Proposed Detail Drawing

Date: 7/8/2024
Scale: 1:5 @ A3

Revision No.: -
Drawing Title: DD-02

Drawing by: Rio Jablonski <small>rio.jablonski@wandsworthsashwindows.com</small>

Scale Bars:  1:5 @ A3
