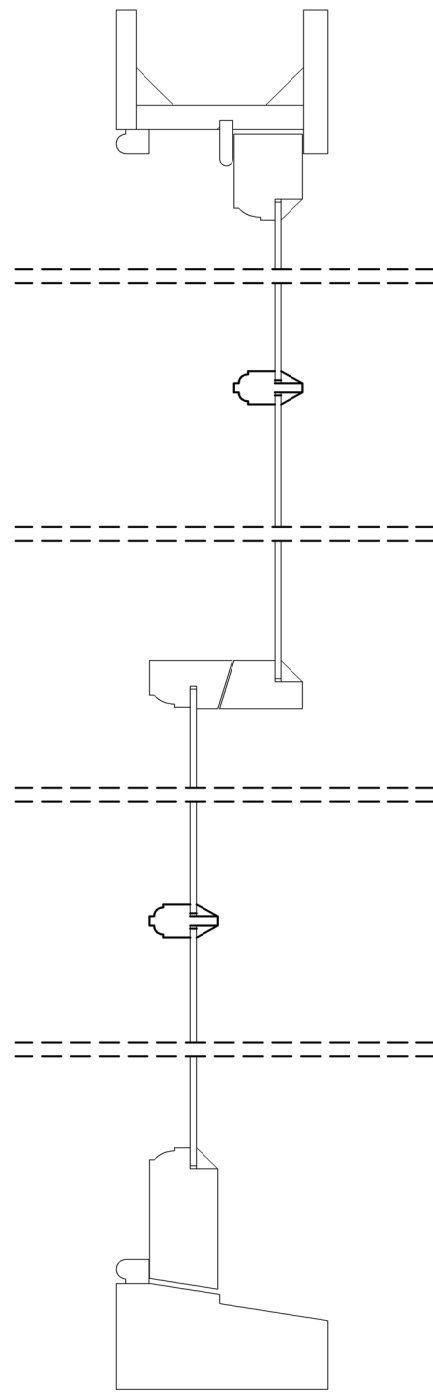
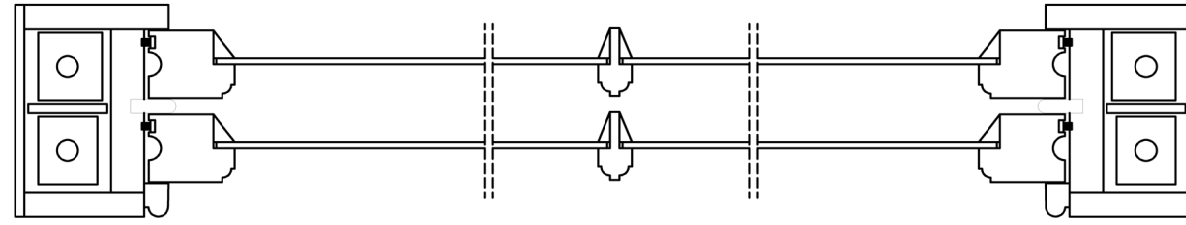


Sash Window Detail Existing and Proposed Detail



Existing Single Glazed Section
1:5 @ A3



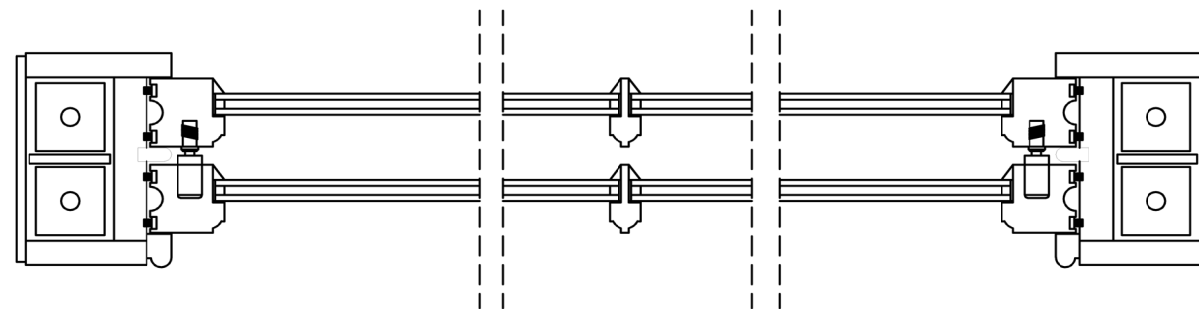
Existing Single Glazed Plan
1:5 @ A3

Existing and Proposed Sash Windows

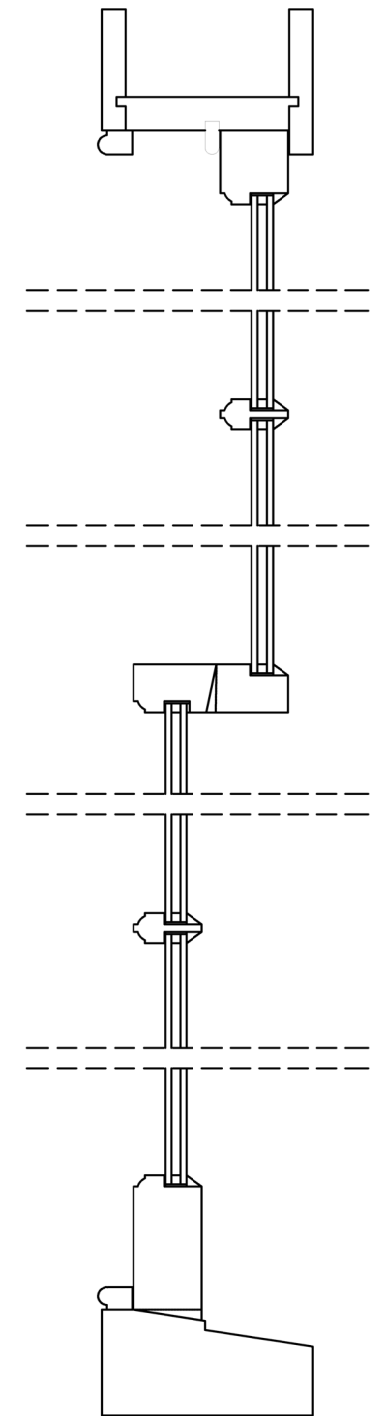
Windows W1 and W2

Existing and Proposed Details 1:5 @ A3

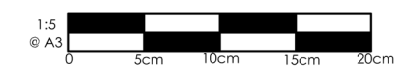
Sections and Plans



Proposed Glazed Integral Bars Plan
1:5 @ A3



Proposed Glazed Integral Bars Section
1:5 @ A3

<p>Drawing Issued For: Planning Permission and Listed Building Consent</p>	<p>Project: 34 King George Square, Richmond, TW10 6LG</p>	<p>Client: Roma Van Den Bergh</p>	<p>Drawing Title: Existing and Proposed Detail Drawing</p>	<p>Date: 7/8/2024</p>	<p>Revision No.: -</p>	<p>Drawing by: Rio Jablonski <small>rio.jablonski@wandsworthsashwindows.com</small></p>	<p>Scale Bars:</p> 
				<p>Scale: 1:5 @ A3</p>	<p>Drawing Title: DD-01</p>		