



info@akart.co.uk

Unit 119 Omega Works,
4 Roach Road,
London, England, E3 2PF

+ 44 7 4 5 6 1 5 9 3 6 7

**EFES PREMIUM
RICHMOND
LONDON**

CLIENT EFES PREMIUM
PROJECT LOCATION 11 King St. Richmond,
TW9 1ND, UK

DRAWING NO FP05
SCALE 1/150
PAPER SIZE A3
DATE 05.08.2024

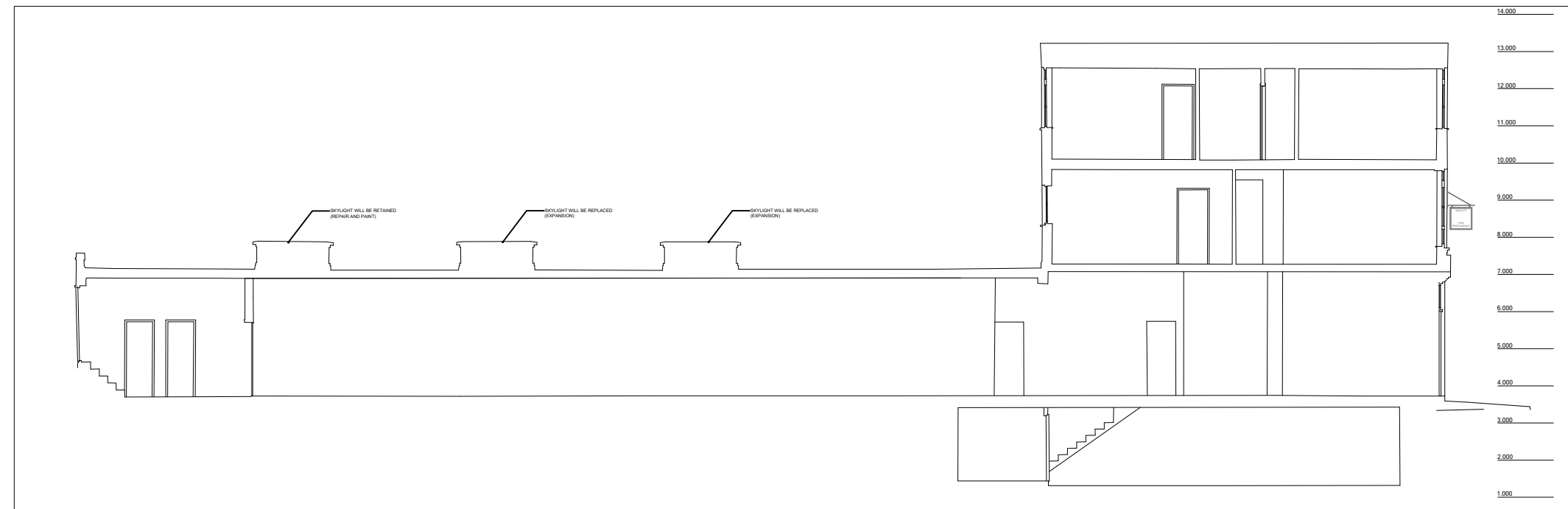
**EXISTING&PROPOSED
SECTIONAL VIEW**

SUBMISSION & REVISION

DATE	DESCRIPTION
05.08.2024	Planning Application Submission

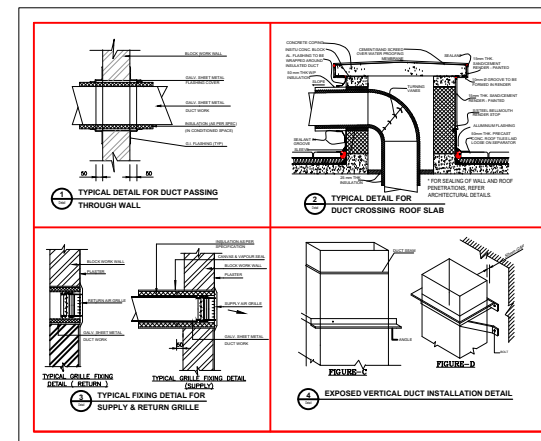
GENERAL NOTES

- DO NOT SCALE FROM DRAWINGS FOR CONSTRUCTION PURPOSES. DRAWING IS FOR DESIGN INTENT ONLY.
- CONTRACTOR/SUPPLIER/MANUFACTURER IS OBLIGED TO REPORT ANY ERRORS, DISCREPANCIES AND OMISSIONS TO DESIGNERS.
- AKART IS NOT RESPONSIBLE FOR CO-ORDINATION OF MECHANICAL AND ELECTRICAL SERVICES DRAWINGS OR INFORMATION.
- ALL CONSULTANTS INFORMATION TO BE REFERRED TO, TO ENSURE COMPLIANCE WITH BUILDING REGULATIONS AND CODES.
- ALL DRAWINGS AND DESIGNS ARE COPYRIGHT TO AKART AND MAY NOT BE REPRODUCED OR COPIED WITHOUT PRIOR AGREEMENT WITH AKART.
- ALL DESIGN CONCEPTS ARE THE SOLE PROPERTY OF AKART AND MAY NOT BE ADAPTED, COPIED OR REPRODUCED WITH OUR WRITTEN PERMISSION OF AKART.
- THESE DRAWINGS ARE SUBJECT TO UPDATE, REVISIONS AND CHANGE BASED ON ANY RECOMMENDATION FROM STATUTORY LOCAL AUTHORITY
- ALL MATERIALS & PRODUCTS ARE FOR REFERENCE INTENT ONLY. CLIENT CAN CHOOSE SIMILAR OR DIFFERENT MATERIALS/PRODUCTS FROM THEIR SUPPLIERS.
- CONTRACTOR/SUPPLIER/MANUFACTURER MUST ORDER MATERIAL SAMPLES AND PRODUCT SAMPLES FOR DEMO. ALL MATERIALS PHYSICAL FORMS AND PRODUCTS MUST BE APPROVED BY CLIENT BEFORE ORDER. DIGITAL IMAGES MIGHT BE DIFFERENT FROM PHYSICAL MATERIALS
- ALL MATERIAL SAMPLES, PRODUCTS SAMPLES, CALCULATIONS AND DIMENSIONS MUST BE CHECKED ON SITE BEFORE ORDER.
- AKART IS NOT RESPONSIBLE FOR ANY MATERIAL AND PRODUCT ORDER, SHIPMENT, MONTAGE AND DEFECTS.
- CONTRACTOR TO PROVIDE ROD/SHOP DRAWINGS PRIOR TO MANUFACTURE & CONSTRUCTION
- THIS COPY HAS BEEN MADE BY AKART AUTHORIZATION PURSUANT TO SECTION 47 OF THE COPYRIGHT DESIGNS AND PATENTS ACT 1988. UNLESS THAT ACT PROVIDES A RELEVANT EXCEPTION TO COPYRIGHT. THE COPY MUST NOT BE COPIED WITHOUT THE PRIOR PERMISSION OF THE COPYRIGHT.



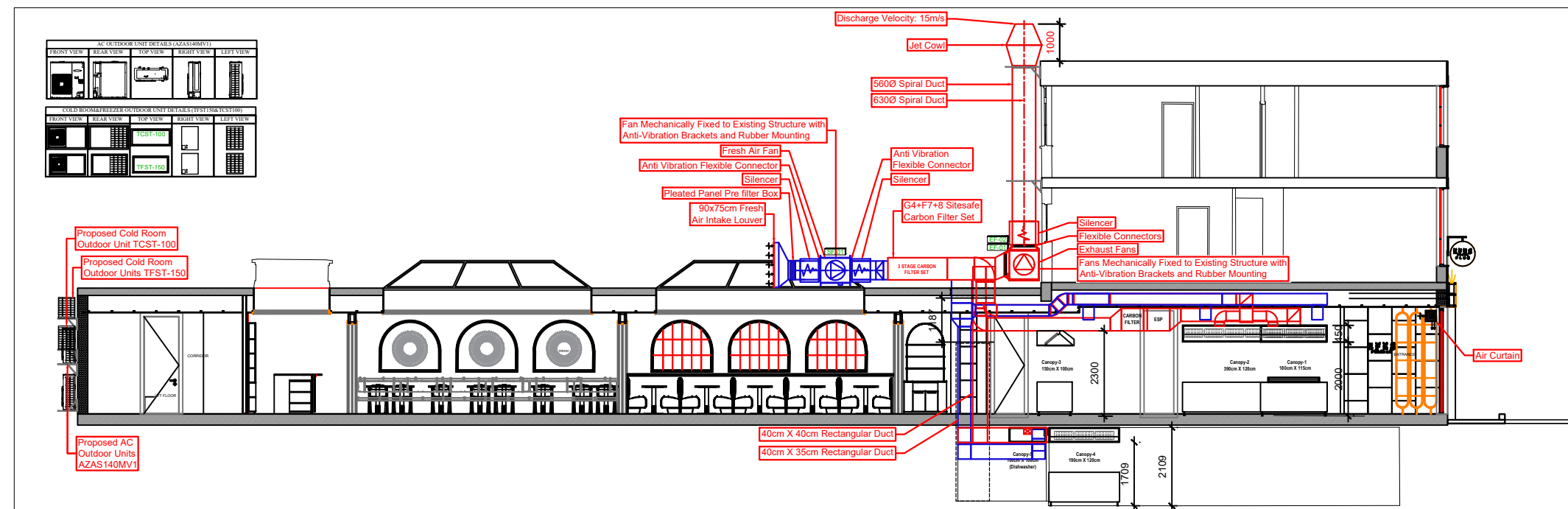
EXISTING SECTIONAL VIEW
SCALE 1:150

EXTRACTION & FRESH AIR SYSTEMS DUCTING SCHEMES	
Extraction System-1: Kitchen Cooking Operations	Grease Filters → ESP4500 → Carbon Filter → Silencer → Helios Fan → Silencer → Jet Cowl
Extraction System-2: Kitchen Cooking Operations	Grease Filters → Fine Filtration → Carbon Filter → Silencer → Helios Fan → Silencer → Jet Cowl
Fresh Air System: Make-up Air for Kitchen	Pre Filters → Silencer → Helios Fan → Silencer → Duct Heater → Supply Grilles



KITCHEN EXTRACTION SYSTEM

- Kitchen Extraction Canopies fitted with washable baffle type grease filters sited directly over cooking operation.
- Total extraction air rate catering the cooking operations;
 - Extraction System-1: 0.7 / 1.5 / 2.1 m³/s @495 Pa
 - Extraction System-2: 2.642 m³/s @550 Pa
- In accordance with the odour impact assessment proper filtration systems are equipped for each extraction system to absorb odours, smells & fumes. High odour cooking operations' recommended dwell time is between 0.2 to 0.4 seconds in accordance with DEFRA.
 - Extraction System-1: ESP4500 and 7 Sitesafe Carbon Filter Set proposed.
 - Extraction System-2: 3 Stage Carbon Filter, G4 + F7 + 8 Sitesafe Carbon Filter Set proposed.
- Filters to be cleaned and replaced according to the manufacturers recommendations.
- Isolator: Insulated flexible canvas connectors to be fixed between the fan and the rest of the ducting from each side of the fan to prevent transmission of vibration.
- Rectangular and spiral extraction ducts fitted with anti-vibration brackets and rubber mounting.
- External ducting is mechanically fixed to existing structure.
- Ducting should be equipped with access panels for cleaning and all ductwork must meet TR/19.
- All penetrations made good and appropriate firestop applied.
- Ducting passes through wall formed combustible materials to be enclosed in a sleeve of non-combustible material & 25mm air space between duct & sleeve.
- Maintenance contract including scheduled cleaning provided by installing contractor.



PROPOSED SECTIONAL VIEW
SCALE 1:150

