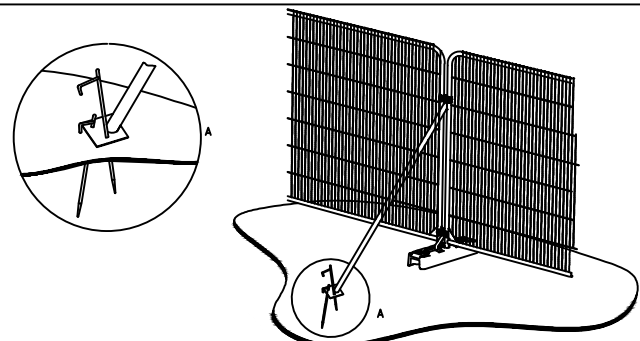
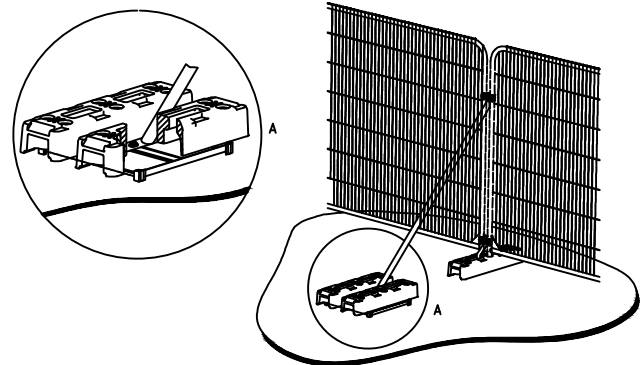


Figure 3 Examples of above-ground stabilizing systems



a) Stabilizer strut with base plate secured with ground pins

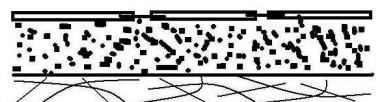


b) Stabilizer strut mounted on block tray

**CONSTRUCTION EXCLUSION ZONE - NO ACCESS**

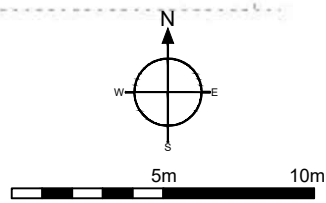
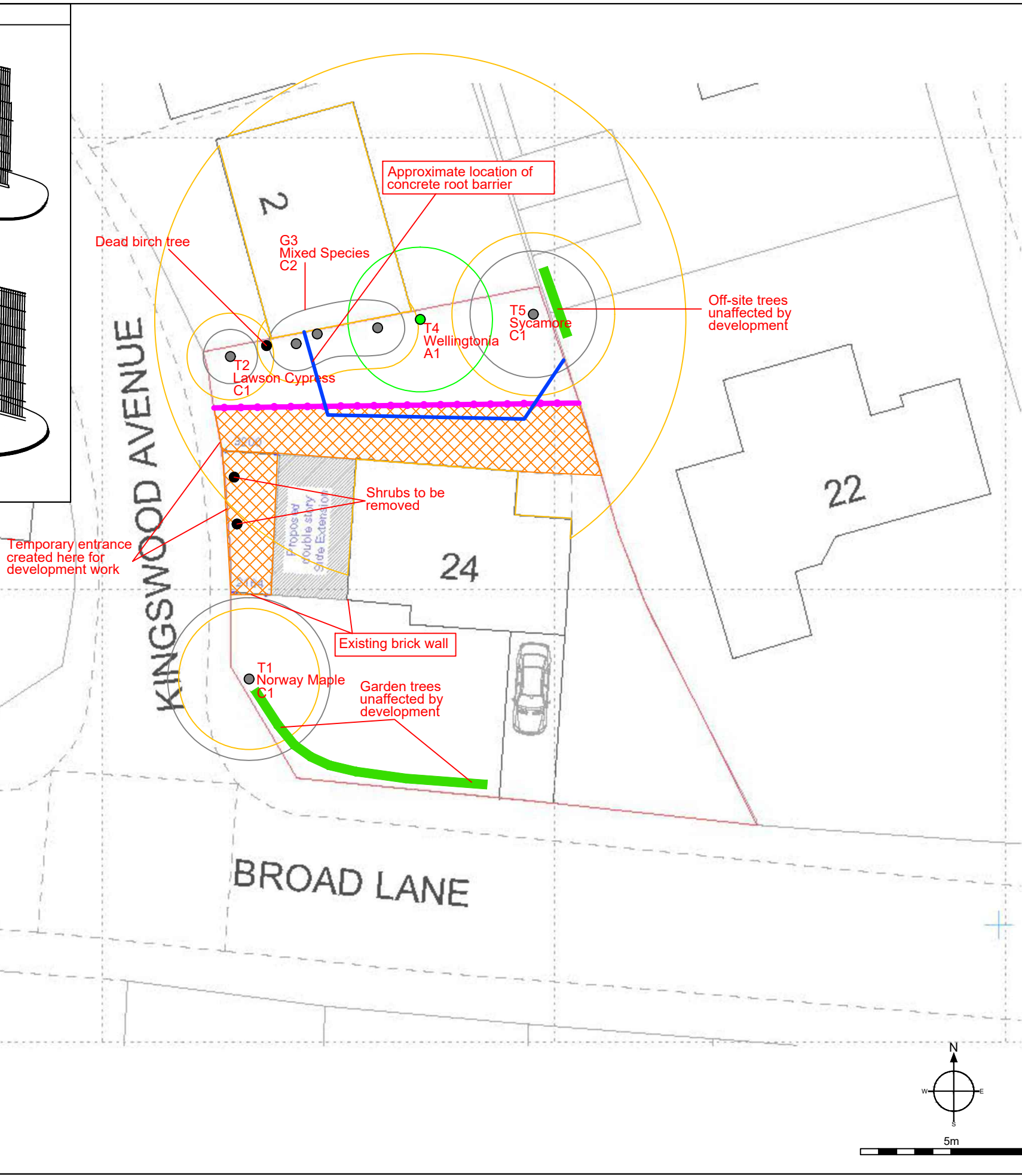
TO BE DISPLAYED AT 9M INTERVALS ON ALL PROTECTIVE FENCES

**Ground Protection for Pedestrians and Pedestrian Operated Plant up to 2t gross weight**



Ground Protection Boards \*  
150mm Woodchip  
Geotextile  
Protected Ground

\*Ground Protection Boards should ideally be of the proprietary interlinked variety. If these are not available, sheets of 18mm plywood secured together would be acceptable



**Pyramid Consulting**

1 Egypt Wood Cottages  
Farnham Common  
Bucks  
SL2 3LE

Tel: 01753 646831  
Mob: 07979 357330  
Email: PyramidLtd@btinternet.com  
www.trees.uk.net

Site: 24 Broad Lane 1:250 @ A3  
Drawing Title: Tree Protection Plan June 2024

**Key:**

- Category A (Green circle)
- Category B (Blue circle)
- Category C (Grey circle)
- Category U (Red circle)
- Tree Protection Fencing (Pink line)
- Temporary Ground Protection (Orange cross-hatch)
- Concrete Root Barrier (Blue line)

**Diagram Key:**

- Category (Outer circle)
- Root Protection Area (Inner circle)
- Tree Number (Number in center)
- Species (Text next to number)
- Category (Text next to number)
- Crown Spread (Line from center to outer edge)

NOTE: Tree/group numbers marked have approximate locations.