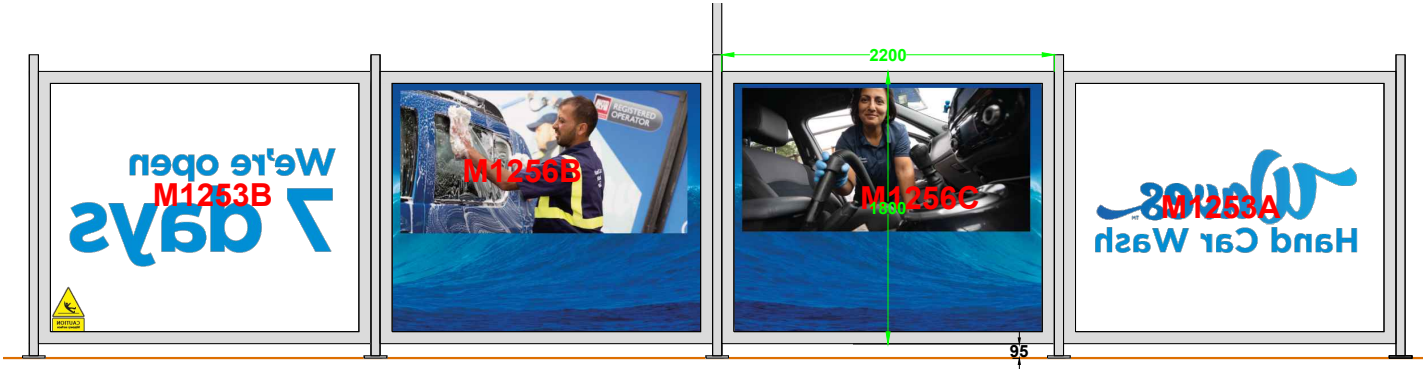
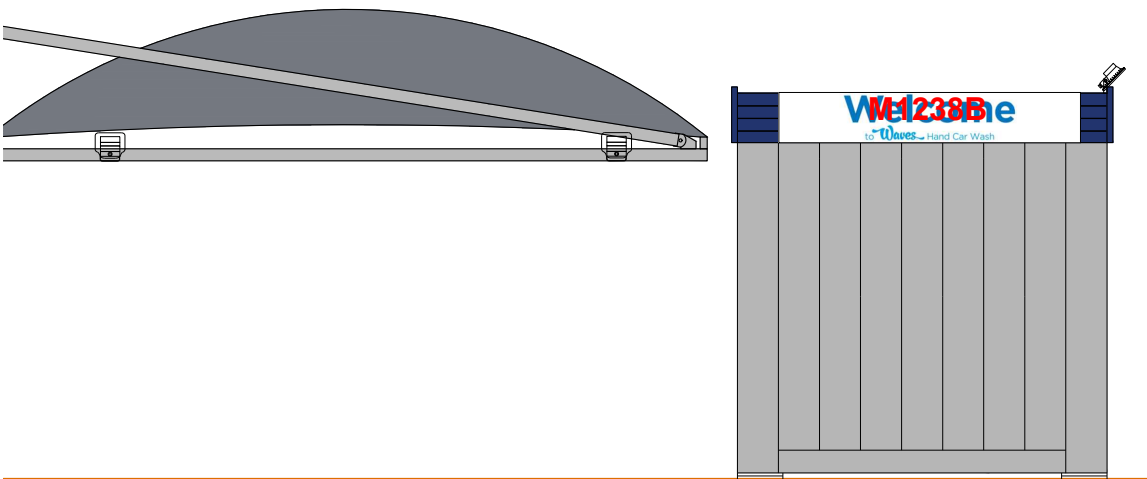




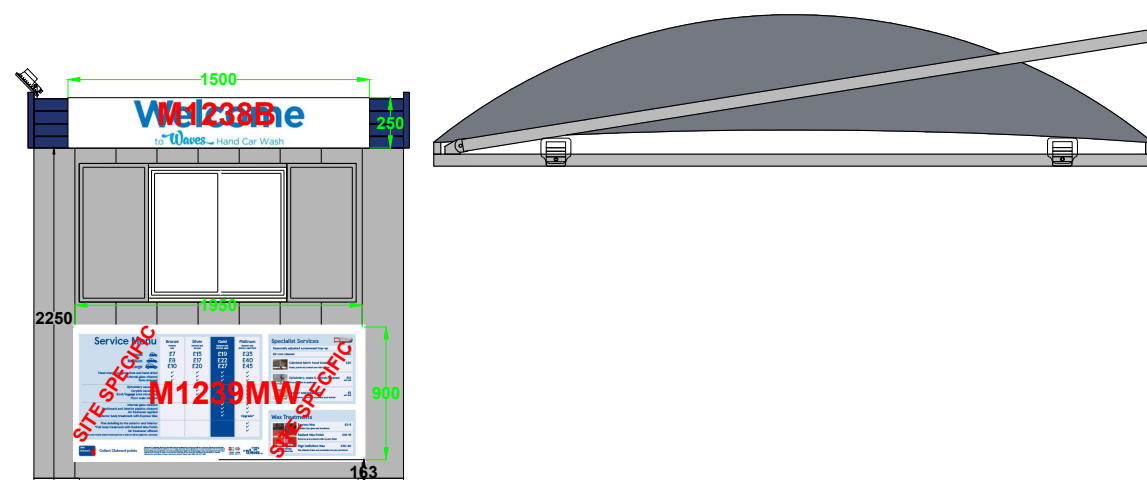
HAND CAR WASH SIGNS VIEW D



HAND CAR WASH SIGNS VIEW G

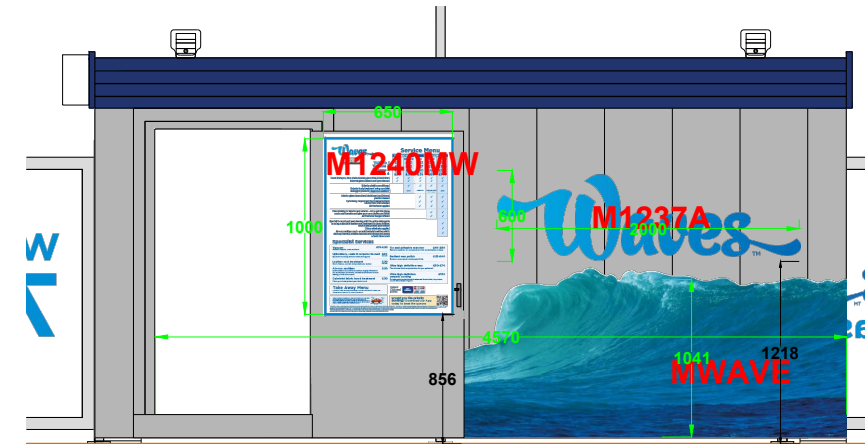
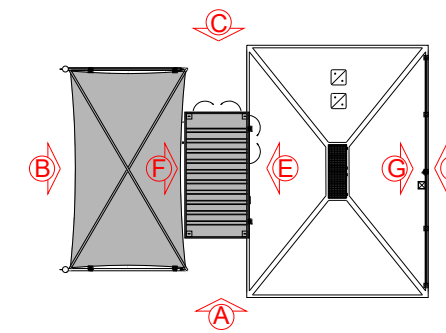


HAND CAR WASH SIGNS VIEW A

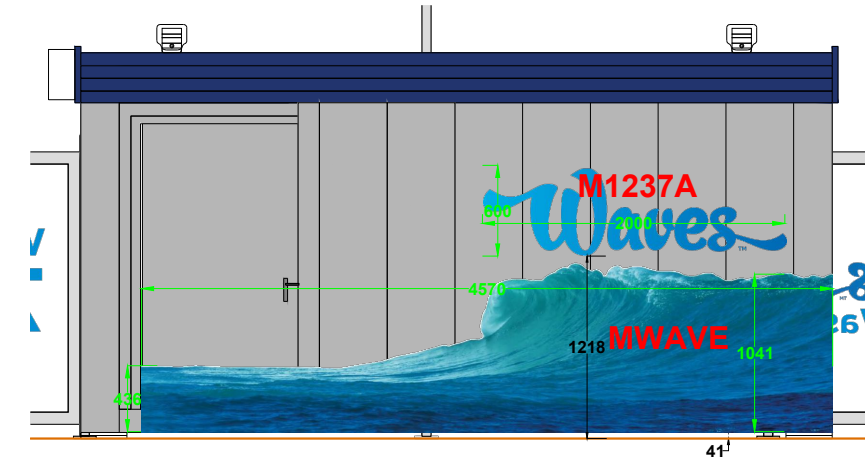


HAND CAR WASH SIGNS VIEW C

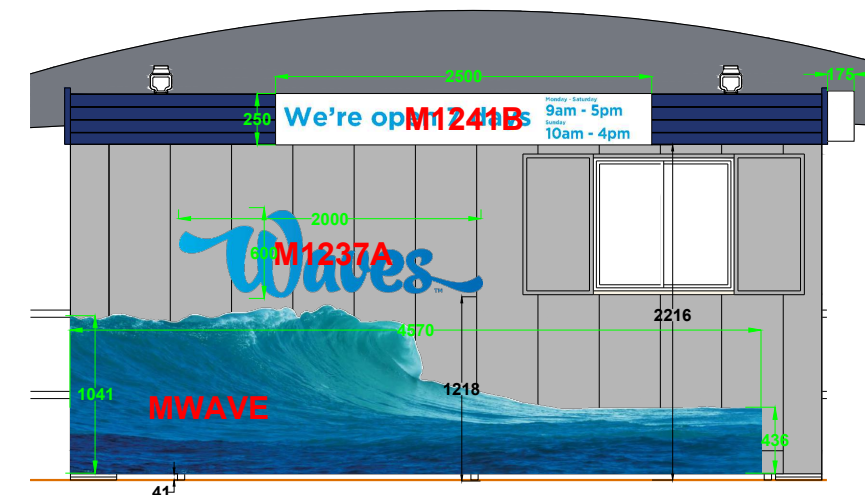
SCALE BAR 1:50



HAND CAR WASH SIGNS VIEW F (DOOR OPEN)



HAND CAR WASH SIGNS VIEW F (DOOR CLOSED)



HAND CAR WASH SIGNS VIEW E

- Signage:**
- M1238B - back lit light box sign, no background blue text fixed to cabin 1500mm (w) x 250mm (h) x 175mm (d), 2250mm from ground
 - M1239MW - dibond sign, white and blue background, blue and white text with multicolored images fixed to cabin 1950mm (w) x 900mm (h), 163mm from ground.
 - M1241B - dibond sign white background blue text fixed to cabin 2500mm (w) x 250mm (h), 2216mm from ground
 - M1237A - dibond sign blue text fixed to cabin 2000mm (w) x 600mm (h), 1218mm from ground.
 - MWAVE - dibond sign multi-blues image fixed to cabin 4570mm (w) x 1041mm (h), 41mm from ground.
 - M1240MW - dibond sign white background blue text fixed to cabin 650mm (w) x 1000mm (h), 856mm from ground.
 - M1256A - dibond sign multi-color image free standing in steel frame 2200mm (w) x 1800mm (h), 95mm from ground.
 - M1256B - dibond sign multi-color image free standing in steel frame 2200mm (w) x 1800mm (h), 95mm from ground.
 - M1256C - dibond sign multi-color image free standing in steel frame 2200mm (w) x 1800mm (h), 95mm from ground.
 - M1256D - dibond sign multi-color image free standing in steel frame 2200mm (w) x 1800mm (h), 95mm from ground.
 - M1253A - transparent perspex sign blue text free standing in steel frame 2200mm (w) x 1800mm (h), 95mm from ground.
 - M1253B - transparent perspex sign blue text free standing in steel frame 2200mm (w) x 1800mm (h), 95mm from ground.

Notes:

Please see accompanying design and access for more information.

REV:	DESCRIPTION:	BY:	DATE:
STATUS:			
PLANNING			
Gilmore Consultancy 1 Castle Court Brewhouse Lane London SW15 2JJ 07975852755 planning@gilmoreconsultancy.com			
SITE: Homebase Hanworth Twickenham Road, Twickenham, Feltham TW13 6EZ			
TITLE: Hand car wash signage			
SCALE AT A3: 1:50	DATE: 28.02.24	DRAWN: JB	CHECKED: JB
PROJECT NO: n/a	DRAWING NO: HB-hcw-install-02/24-007	REVISION: n/a	