



info@akart.co.uk

Unit 119 Omega Works,  
4 Roach Road,  
London, England, E3 2PF

+44 7456159367

### EFES PREMIUM RICHMOND LONDON

CLIENT EFES PREMIUM  
PROJECT LOCATION 11 King St. Richmond,  
TW9 1ND, UK

DRAWING NO FP03  
SCALE 1/150  
PAPER SIZE A3  
DATE 05.08.2024

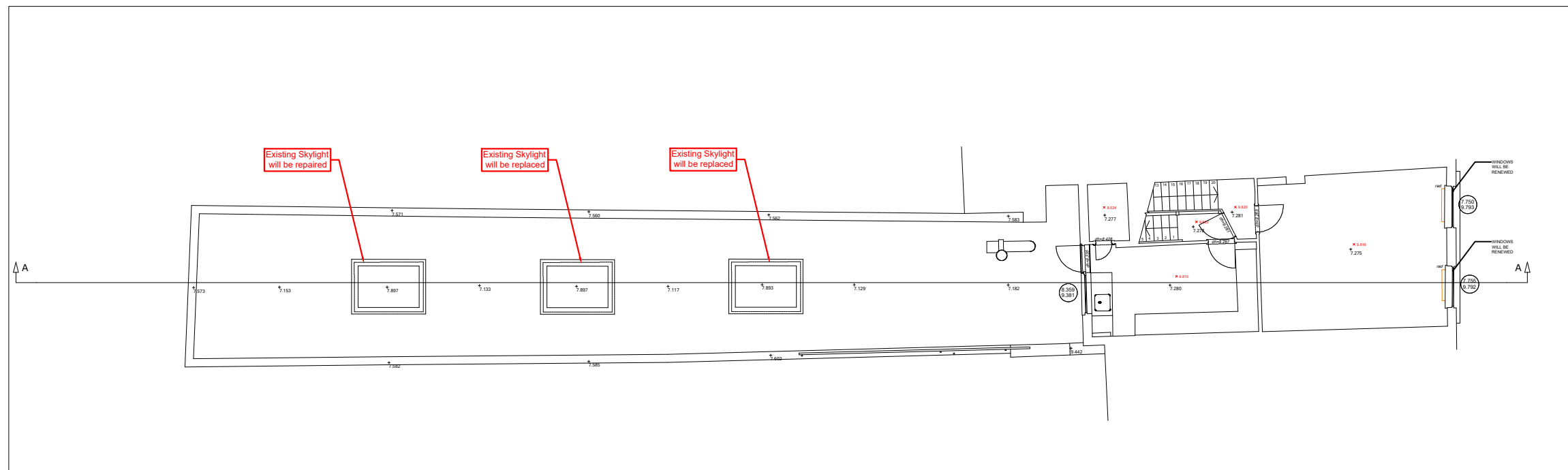
### EXISTING&PROPOSED 1ST FLOOR PLAN

#### SUBMISSION & REVISION

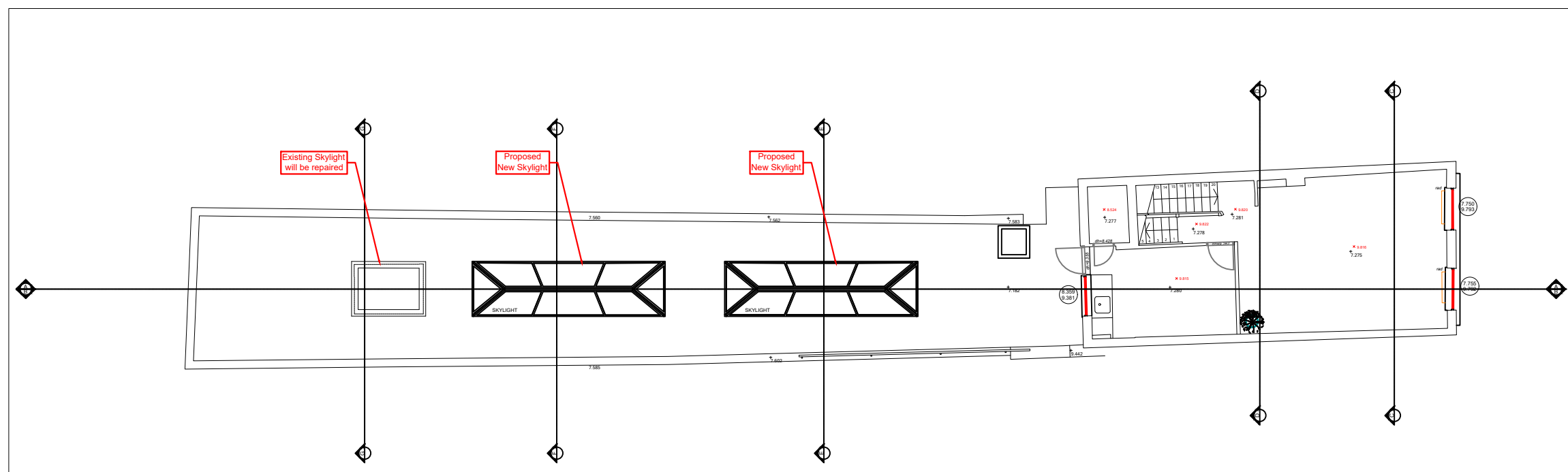
DATE	DESCRIPTION
05.08.2024	Planning Application Submission
01.09.2024	Planning Validation Submission

#### GENERAL NOTES

- DO NOT SCALE FROM DRAWINGS FOR CONSTRUCTION PURPOSES. DRAWING IS FOR DESIGN INTENT ONLY.
- CONTRACTOR/SUPPLIER/MANUFACTURER IS OBLIGED TO REPORT ANY ERRORS, DISCREPANCIES AND OMISSIONS TO DESIGNERS.
- AKART IS NOT RESPONSIBLE FOR CO-ORDINATION OF MECHANICAL AND ELECTRICAL SERVICES DRAWINGS OR INFORMATION.
- ALL CONSULTANTS INFORMATION TO BE REFERRED TO, TO ENSURE COMPLIANCE WITH BUILDING REGULATIONS AND CODES.
- ALL DRAWINGS AND DESIGNS ARE COPYRIGHT TO AKART AND MAY NOT BE REPRODUCED OR COPIED WITHOUT PRIOR AGREEMENT WITH AKART.
- ALL DESIGN CONCEPTS ARE THE SOLE PROPERTY OF AKART AND MAY NOT BE ADAPTED, COPIED OR REPRODUCED WITH OUR WRITTEN PERMISSION OF AKART.
- THESE DRAWINGS ARE SUBJECT TO UPDATE, REVISIONS AND CHANGE BASED ON ANY RECOMMENDATION FROM STATUTORY LOCAL AUTHORITY
- ALL MATERIALS & PRODUCTS ARE FOR REFERENCE INTENT ONLY. CLIENT CAN CHOOSE SIMILAR OR DIFFERENT MATERIALS/PRODUCTS FROM THEIR SUPPLIERS.
- CONTRACTOR/SUPPLIER/MANUFACTURER MUST ORDER MATERIAL SAMPLES AND PRODUCT SAMPLES FOR DEMO. ALL MATERIALS PHYSICAL FORMS AND PRODUCTS MUST BE APPROVED BY CLIENT BEFORE ORDER. DIGITAL IMAGES MIGHT BE DIFFERENT FROM PHYSICAL MATERIALS
- ALL MATERIAL SAMPLES, PRODUCTS SAMPLES, CALCULATIONS AND DIMENSIONS MUST BE CHECKED ON SITE BEFORE ORDER.
- AKART IS NOT RESPONSIBLE FOR ANY MATERIAL AND PRODUCT ORDER, SHIPMENT, MONTAGE AND DEFECTS.
- CONTRACTOR TO PROVIDE ROD/SKIP DRAWINGS PRIOR TO MANUFACTURE & CONSTRUCTION
- THIS COPY HAS BEEN MADE BY AKART AUTHORIZATION PURSUANT TO SECTION 47 OF THE COPYRIGHT DESIGNS AND PATENTS ACT 1988. UNLESS THAT ACT PROVIDES A RELEVANT EXCEPTION TO COPYRIGHT. THE COPY MUST NOT BE COPIED WITHOUT THE PRIOR PERMISSION OF THE COPYRIGHT.



EXISTING 1ST FLOOR PLAN  
SCALE 1:150



PROPOSED 1ST FLOOR PLAN  
SCALE 1:150

