

Do not scale from this drawing

© Brookes Architects Limited (BAL), all rights reserved.

This drawing has been prepared for the use of BAL's client specifically for the site titled below. It may not be used, modified, reproduced or relied upon by third parties.

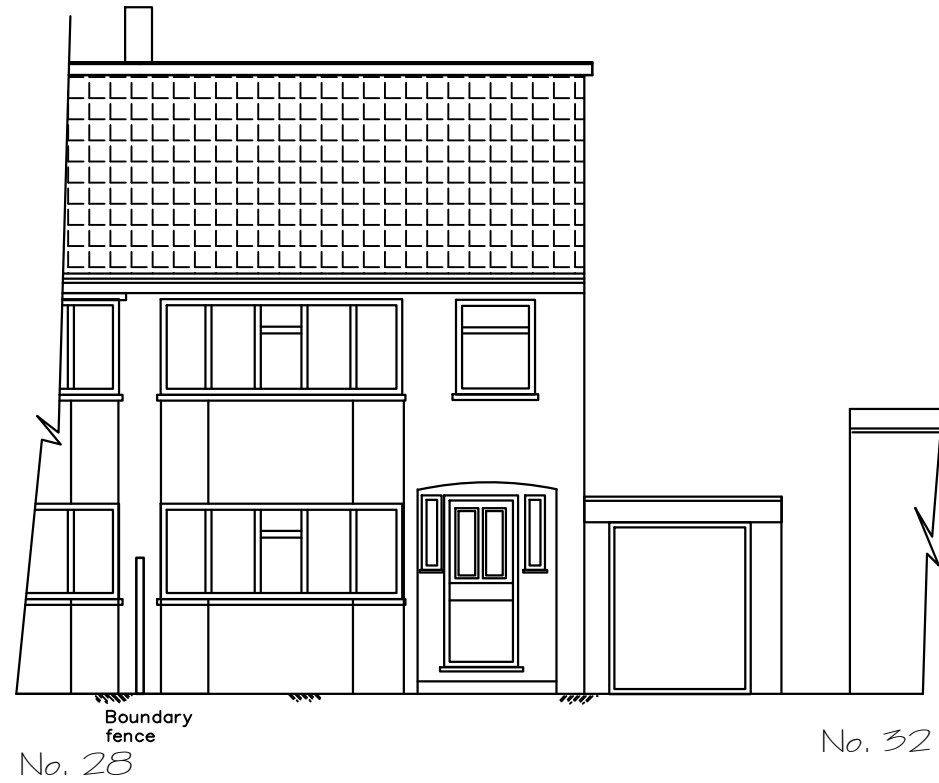
Do not scale from this drawing. All areas are approximate. All dimensions are to be verified on site prior to construction. Responsibility for the reproduction of this drawing lies with the recipient to check that all information has been replicated in full when compared with the original.

This drawing must be read in conjunction with all other relevant consultants' information.

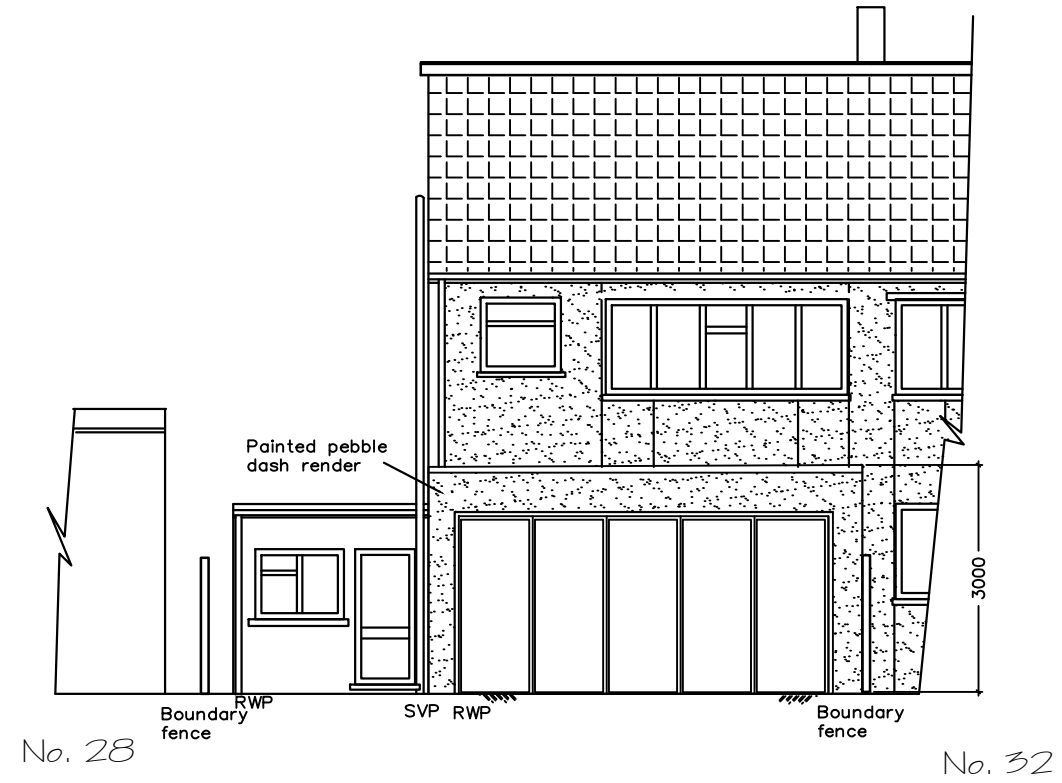
Any discrepancies and/or ambiguities within this drawing, or between it and information given elsewhere, must be reported immediately to BAL for clarification before proceeding.

All works are to be carried out in accordance with current British Standards, Building Regulations and relevant Codes of Practice.

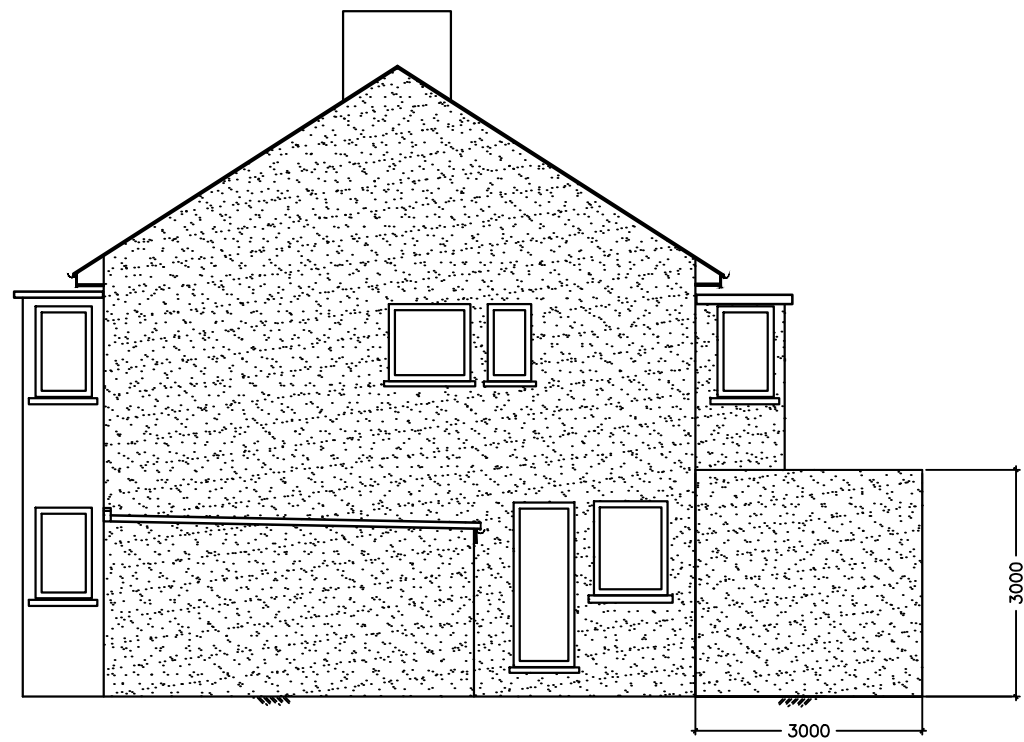
Refer to the Construction (Design and Management) documentation where applicable. It is assumed that all works will be carried out by a competent contractor working, where necessary, to an approved method statement.



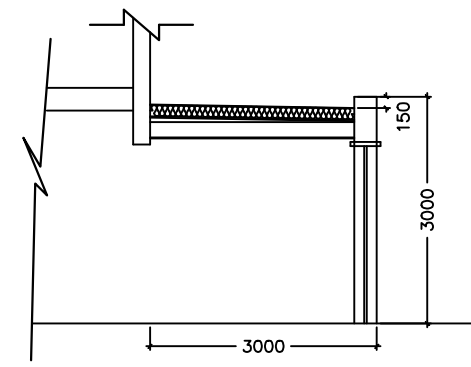
**Front elevation existing 1:100**



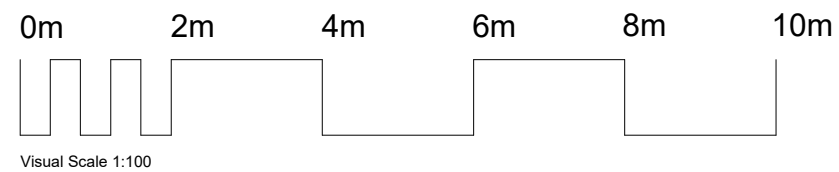
**Rear existing elevation with proposed rear extension 1:100**



**Side existing elevation with proposed rear extension 1:100**



**Rear Extension section 1:100**



**PLANNING**

Rev	Status	Description	Date	Issued	Drawn/CA
P2	PI	Unbuilt loft extension removed	29.08.24	AK/IF	
P1	Pr	Preliminary Issue	08.07.24	AL/IF	

Project No.  
**5469**

Project  
**30 Cypress Avenue  
Whittington  
TW2 7JZ**

Drawing  
**Proposed Rear Extension  
Elevations and Section  
1-100**

Scale	Date	Drawn	Checked
1 : 100@A3	Jul '24	AL	IF

**Brookes Architects**  
Unit 1 - 65 Glenham Road  
London SW19 5LJ  
T 020 8457 1223  
www.brookesarchitects.co.uk

5469-BAL-XX-ZZ-DR-A-07-0302	Revision <b>P2</b> PI Status
-----------------------------	---------------------------------------