

4

3

2

1

D

D

C

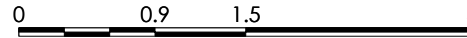
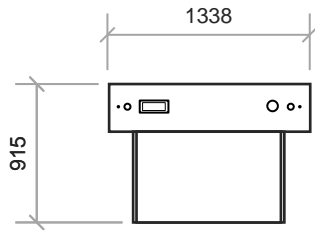
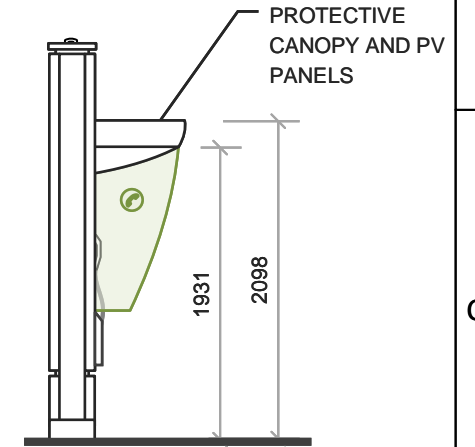
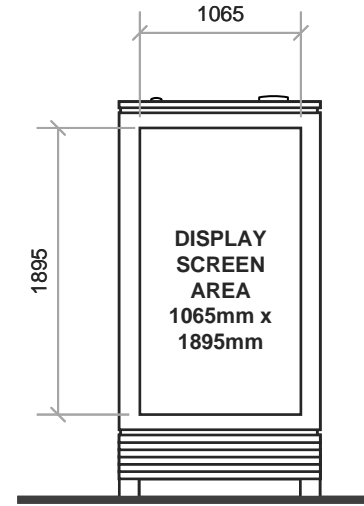
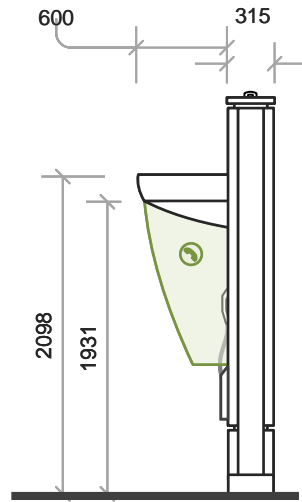
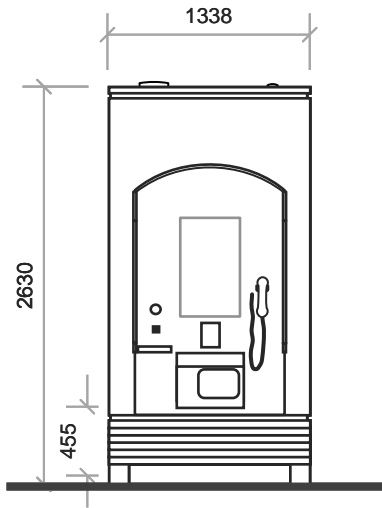
C

B

B

A

A



		JCDECAUX COMMS HUB		
	A4	DWG NO A/489467/ 05	REV A	
SCALE 1 : 50		SHEET 1 of 1		

4

3

2

1