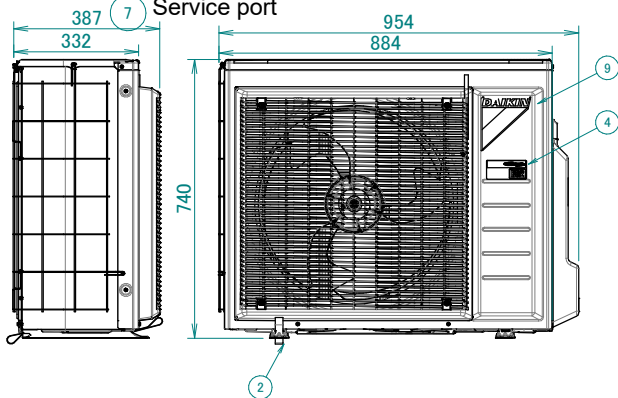
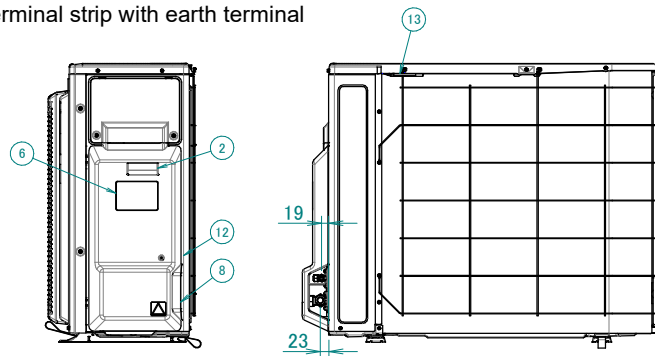


ERGA04-08EV
ERGA04-08EVA

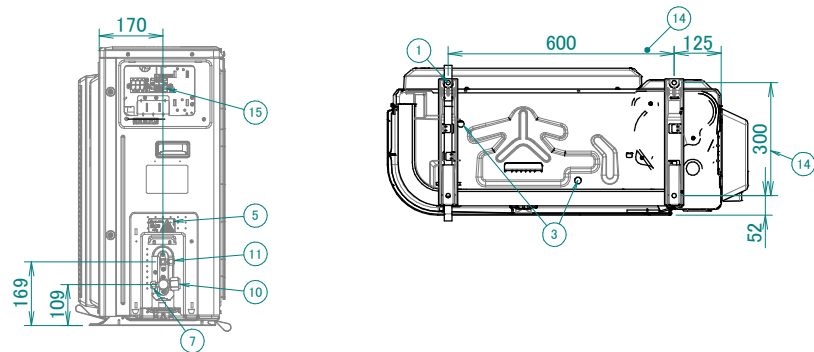
- 1 4 holes for anchor bolts
M8 OR M10
- 2 Handle
- 3 Drain outlet
- 4 Nameplate
- 5 Caution label
- 6 Manufacturer label
- 7 Service port



- 8 Wiring intake area
- 9 Brand name label
- 10 Gas stop valve $\varnothing 15.9$ CuT
- 11 Liquid stop valve $\varnothing 6.4$ CuT
- 12 Product liability label
- 13 Outdoor air temperature thermistor
- 14 Pitch of foundation bolt holes
- 15 Terminal strip with earth terminal



In case of removing the stop valve cover.



Minimum space for air passage
 Wall height on air outlet side < 1200 mm

