

1 PROJECTING SIGNAGE DETAIL - LONG ELEVATION
 Scale: 1:10

40x40mm SHS MILE STEEL ARM WELDED TO 8mm

NEW PROJECTING SIGN IN PPC ALUMINIUM
 FINISH TO MATCH WHITE RAL 9010, LOGOS TO
 BE DIGITALLY PRINTED VINYL WITH TEXT
 APPLIED TO BOTH SIDES

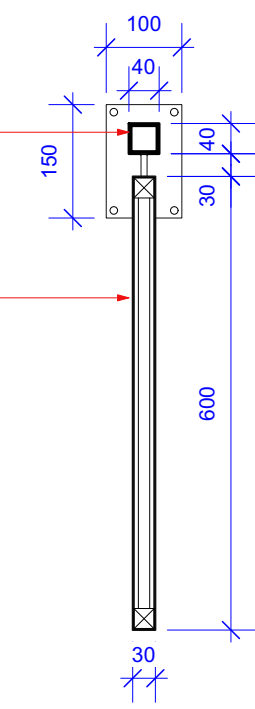
NEW BRASS EFFECT TUBE LIGHT TO BE MOUNTED
 THROUGH SIGNAGE FASCIA

NEW TIMBER SIGNAGE FASCIA TO REPLACE
 EXISTING, TO BE IN WHITE PAINTED FINISH TO
 MATCH RAL 9010

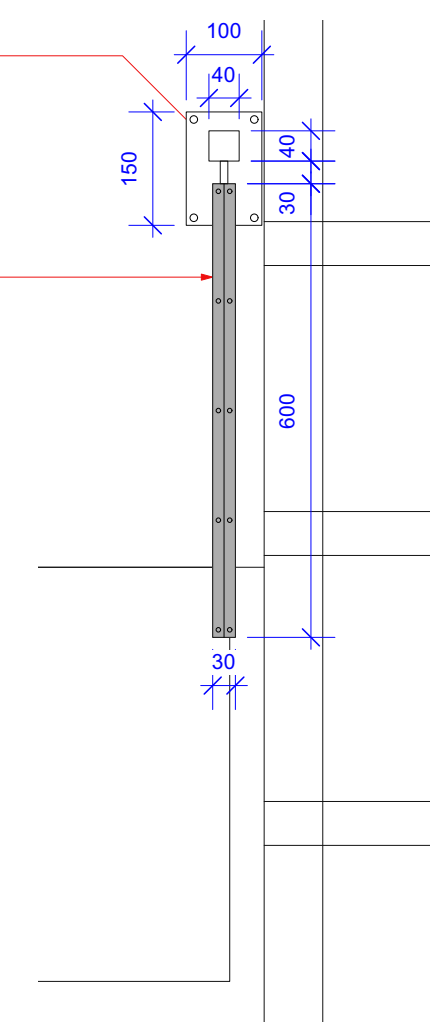
NON-ILLUMINATED METAL BRAND SIGNAGE, COLOUR
 FINISHED TO MATCH COLOUR RED PMS 186c

40x40mm SHS MILE STEEL ARM WELDED TO 8mm
 PLATE WITH SUSPENDED RODS FIXINGS TO PANEL
 BELOW, TO BE COLOUR FINISHED TO WHITE RAL 9010

NEW PROJECTING SIGN IN PPC ALUMINIUM FINISH
 TO MATCH WHITE RAL 9010, LOGOS TO BE DIGITALLY
 PRINTED VINYL WITH TEXT APPLIED TO BOTH SIDES



3 PROJECTING SIGNAGE DETAIL - SECTION
 Scale: 1:10



2 PROJECTING SIGNAGE DETAIL - SHORT ELEVATION
 Scale: 1:10

| | | | |
|-----|----------|---------------------|-----------|
| REV | DATE | NOTES | DRAWN BY: |
| A | 10.09.24 | AWNING OMITTED | SW |
| - | 24.06.24 | ISSUED FOR PLANNING | SW |

Decon.
 FOR PLANNING

CLIENT: **OTTOLENGHI**

PROJECT NAME: OTTOLENGHI RICHMOND
 36 HILL STREET, RICHMOND
 LONDON, TW9 1TW

PROJECT NUMBER: **DCN-2344**

TITLE: PROPOSED SHOPFRONT SIGNAGE
 DETAILS

DWG NO. **DCN-2344-PL-106**

DRAWN BY: SW REVISION: A

DATE: 21.06.2024 SCALE: 1:10 @ A3

THIS DRAWING IS NOT TO BE SCALED. ALL DIMENSIONS TO BE CHECKED ON SITE
 Figured dimensions only to be used. This drawing is subject to and protected by
 the provision of the copyrights acts. Any discrepancies or queries to be notified
 immediately. All dimensions to be verified on site