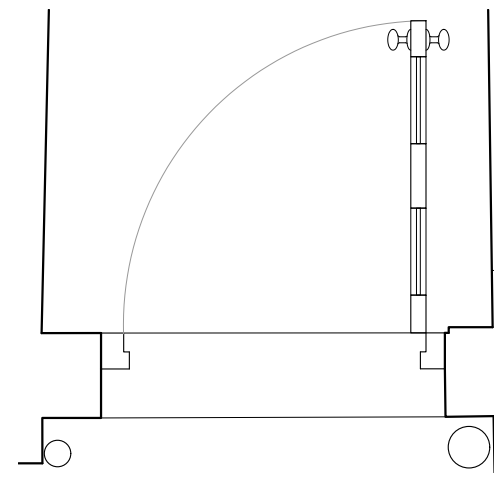
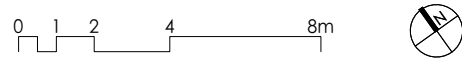
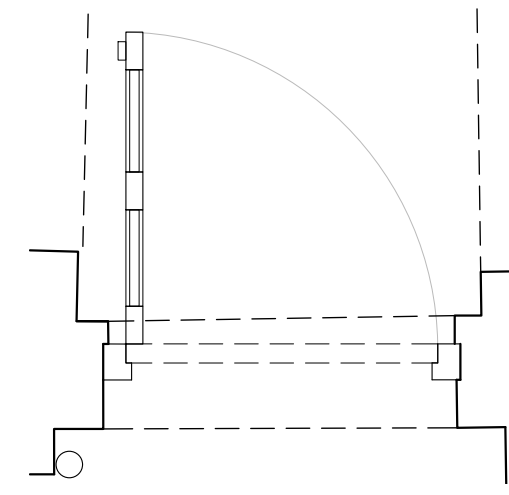


Lower Ground Floor Door Location Plan
scale 1:200 @ A3



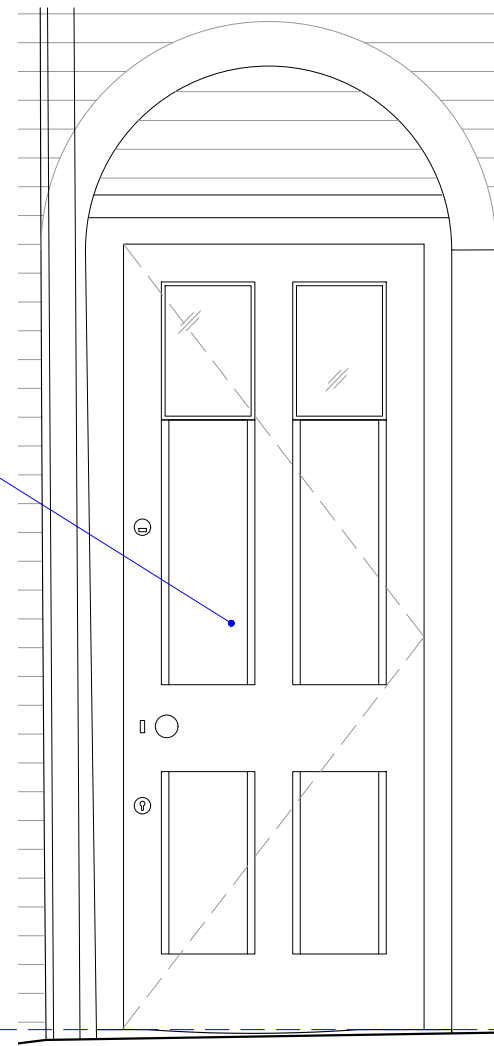
Existing plan
scale 1:20 @ A3



Proposed plan
scale 1:20 @ A3

Existing heavily modified four panel door with windows

Existing Lower ground floor finished floor level of coach house

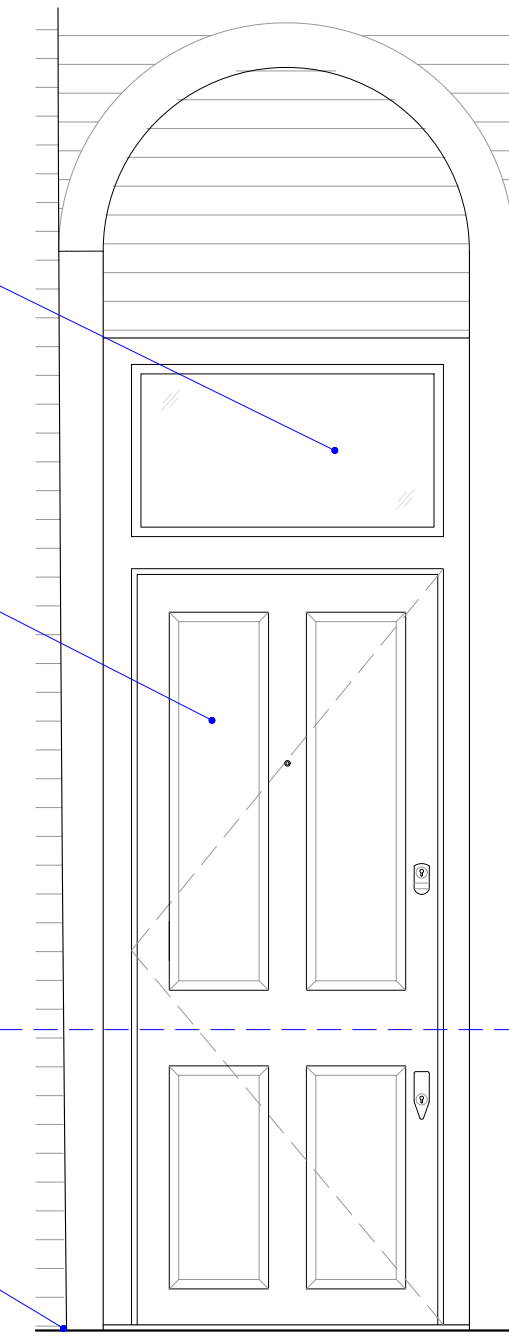


Existing external elevation
scale 1:20 @ A3

Proposed Fanlight

Painted timber 4 panel door, colour to match main entrance door

Proposed ground level



Proposed external elevation
scale 1:20 @ A3

