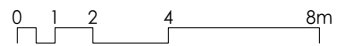
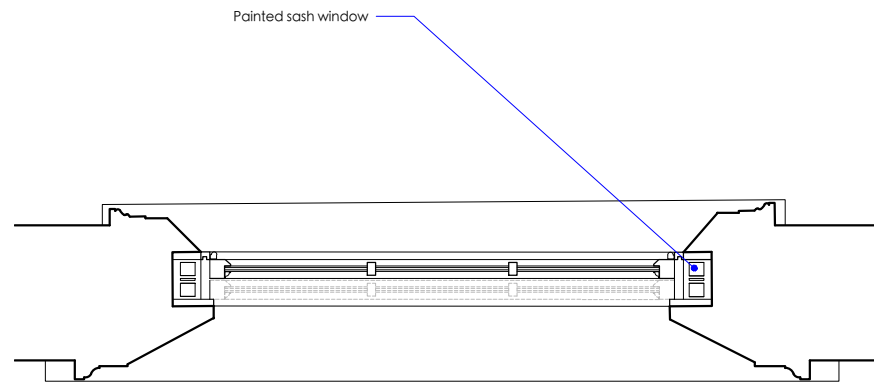




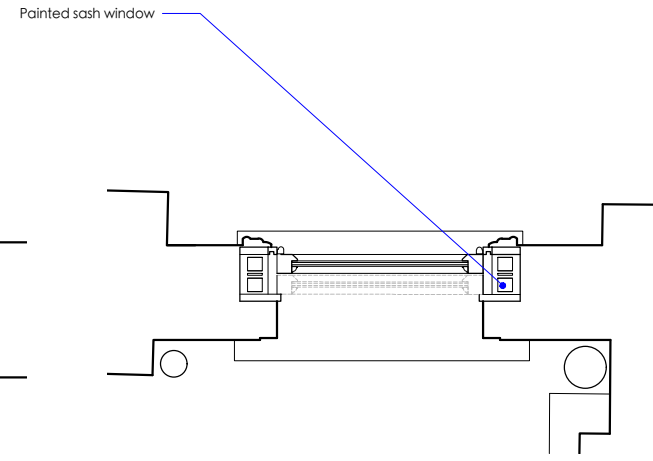
Proposed Front (West) Elevation Location Plan  
scale 1:200 @ A3



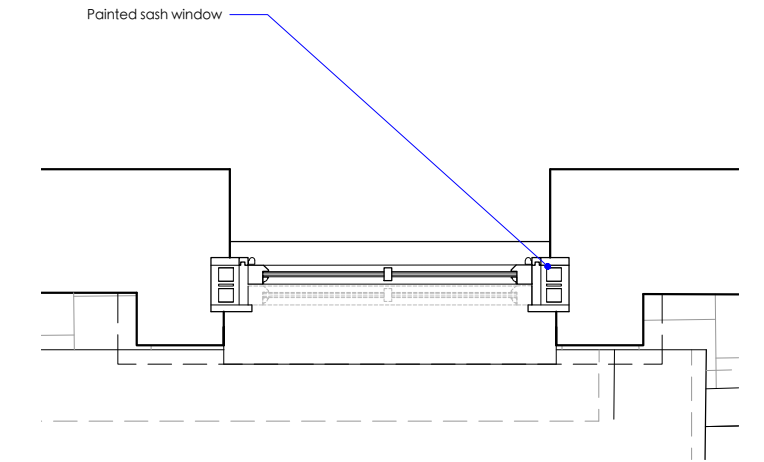
**Note:**  
Front and rear proposed coach house dormers to be identical



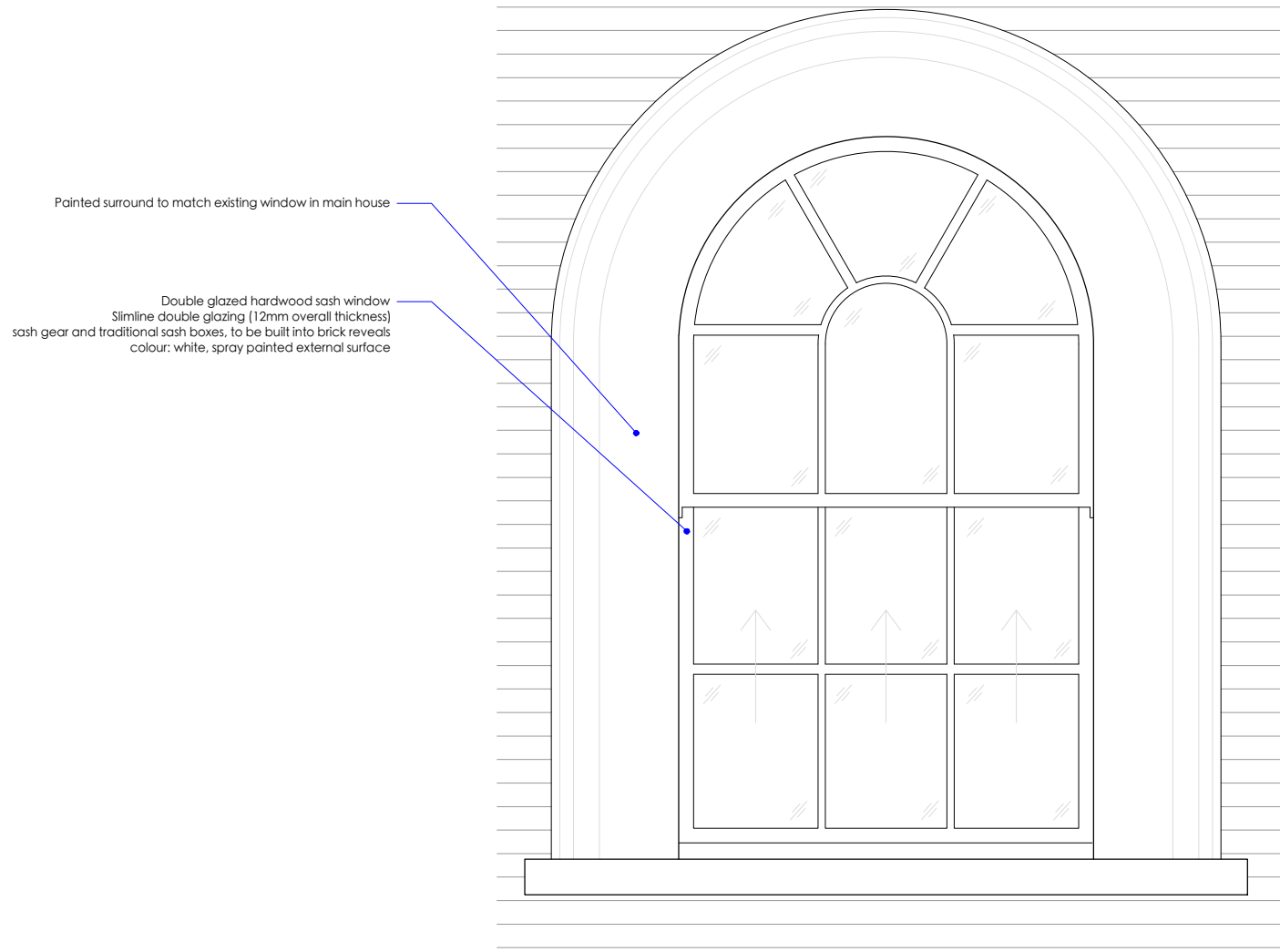
Window 01: Proposed plan  
scale 1:20 @ A3



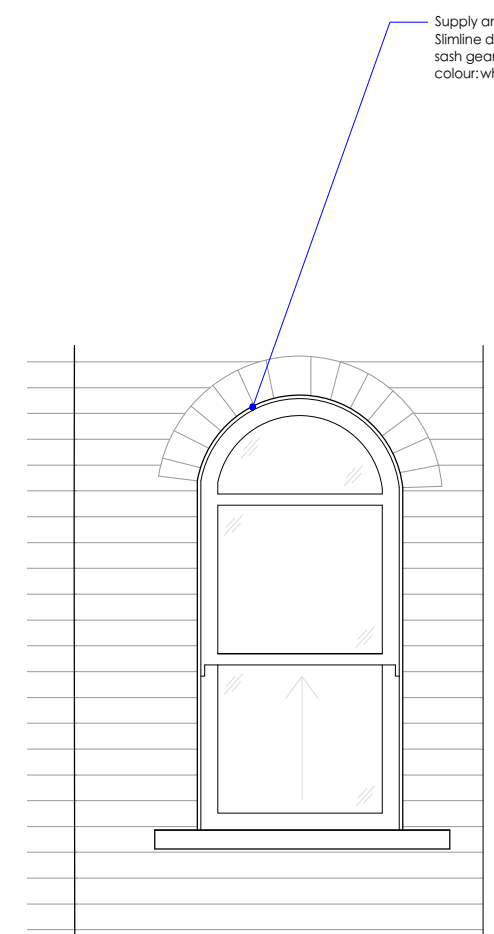
Window 02: Proposed plan  
scale 1:20 @ A3



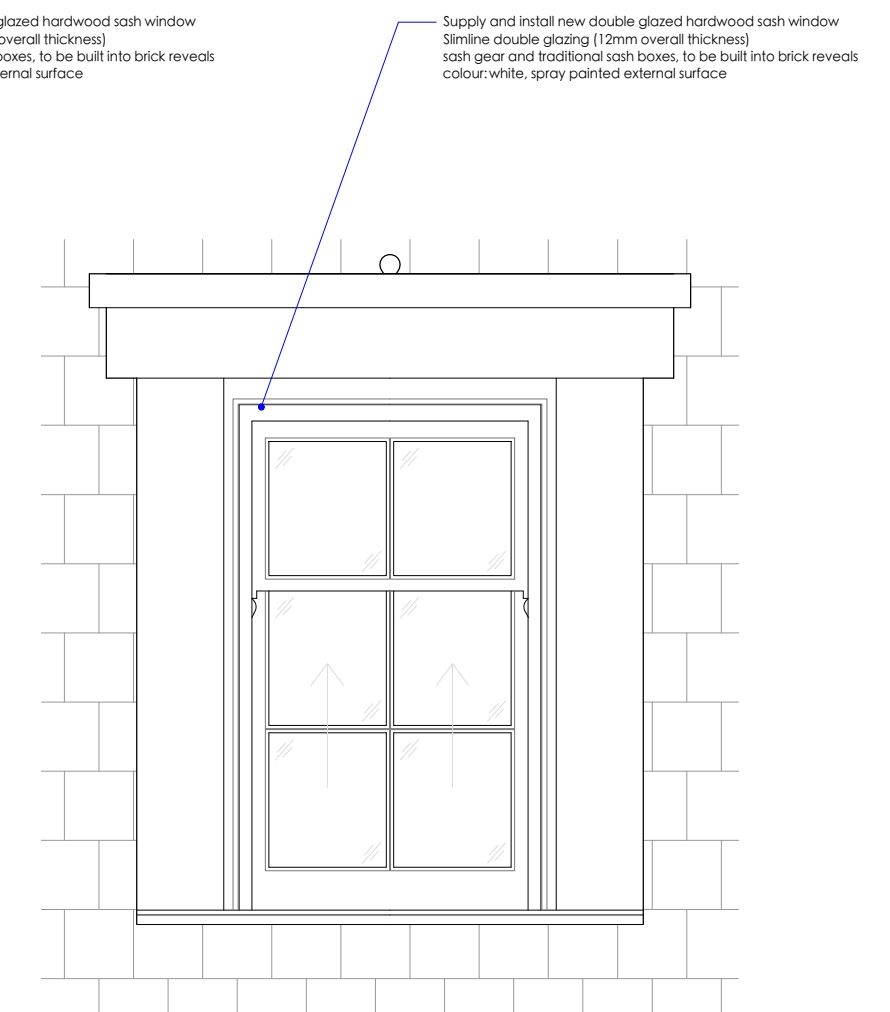
Window 03: Proposed plan of coach house dormers  
scale 1:20 @ A3



Window 01: Proposed external elevation  
scale 1:20 @ A3



Window 02: Proposed external elevation  
scale 1:20 @ A3



Window 03: Proposed external elevation of coach house dormers  
scale 1:20 @ A3



**MICHAEL JONES ARCHITECTS**

020 8948 1863 | 129 Kew Road, Richmond, TW9 2PN  
www.mjarchitects.co.uk | studio@mjarchitects.co.uk

job title  
122 Castelnau, Barnes, SW13 9EU  
client  
Mr and Mrs Taunton

drawing title  
Proposed Coach House Front Windows  
drawing number  
1664.03.03.Pl01.219

|            |            |
|------------|------------|
| scale      | 1:20 at A3 |
| date       | July 2024  |
| drawn by   | AHT        |
| checked by | AB         |