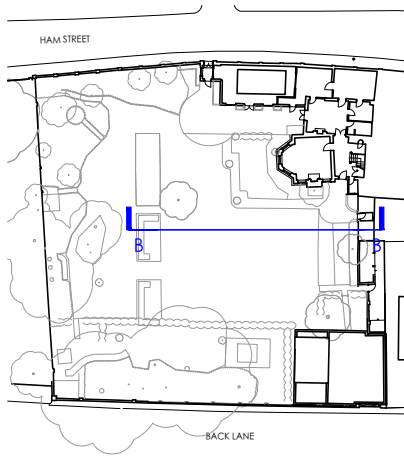
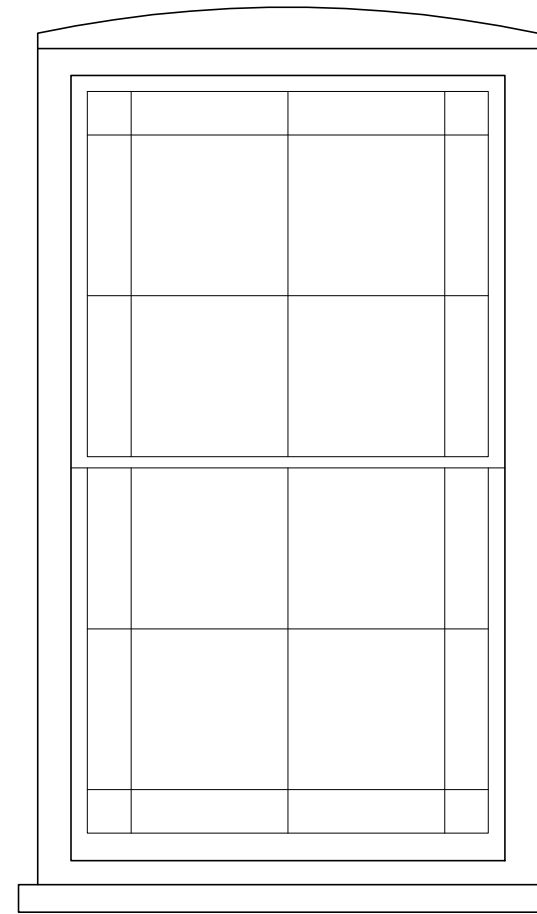


LOCATION PLAN - NOT TO SCALE



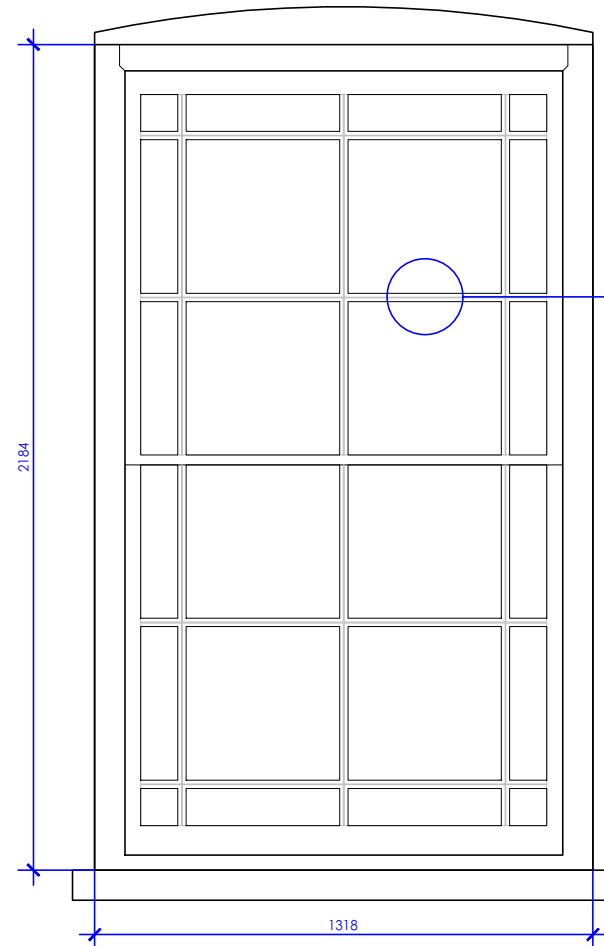
Existing Elevation
scale 1:100



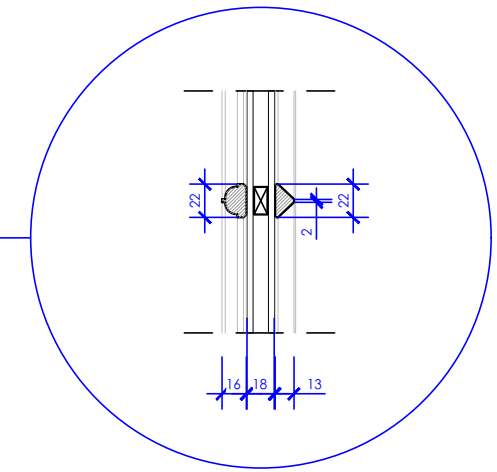
Existing Window Elevation
Timber Sash Window 12 over 12 cross bars (24 modules)
scale 1:20



Proposed Elevation
scale 1:100



Proposed Window Elevation
Timber Sash Window 12 over 12 cross bars (24 modules)
scale 1:20



Proposed Window Detail Section
scale 1:5



MICHAEL JONES ARCHITECTS
020 8948 1863 | 129 Kew Road, Richmond, TW9 2PN
www.mjarchitects.co.uk | studio@mjarchitects.co.uk

job title
Stoke House, Ham Street
client
Sean & Sarah McNicholas

drawing title
Detail 01 - Master Ensuite Window
drawing number
1939.04.03.Gen.05.200

scale	1:20@A3
date	Sep 2024
drawn by	KH
checked by	AB