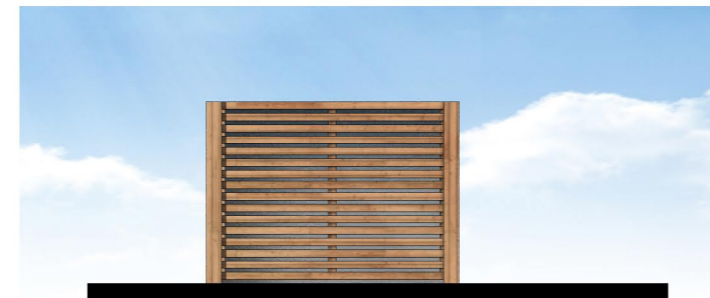
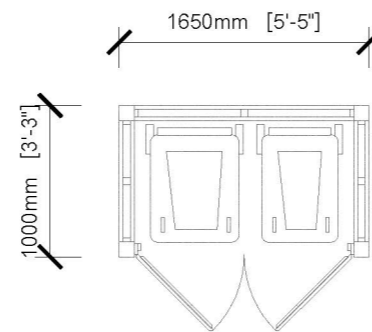


Front Elevation

Side Elevations



Rear Elevation