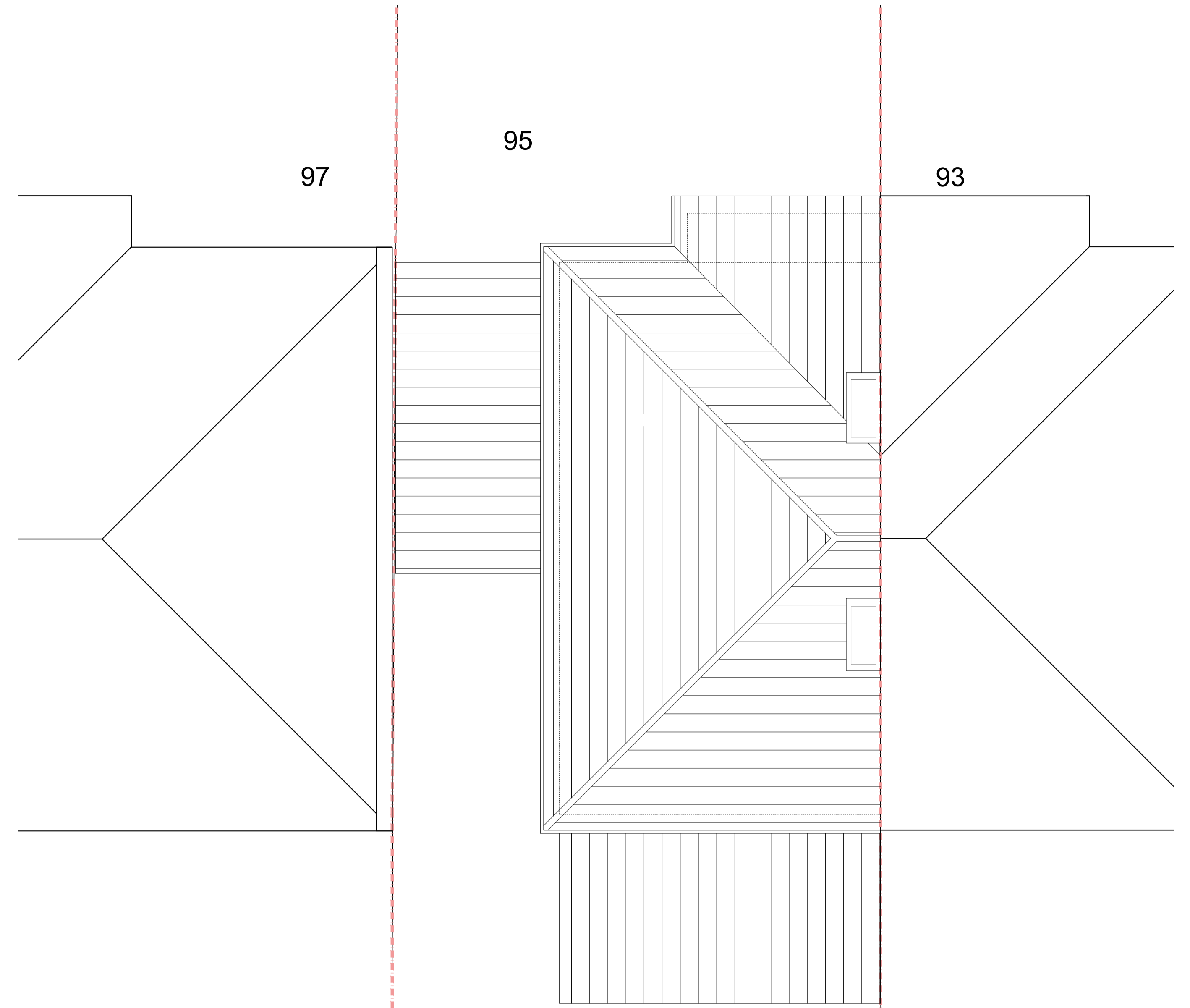


Existing First Floor Plan
1:50 @A1



Existing Roof Plan
1:50 @A1

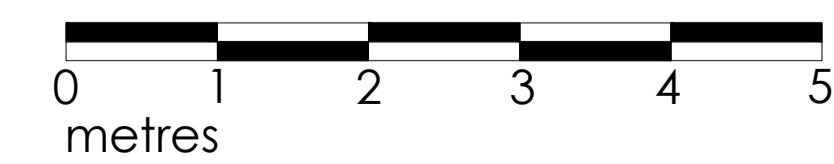
95 WAVERLEY AVENUE, WHITTON, TW2 6DH

EXISTING

FIRST FLOOR AND ROOF PLAN

date SEP 2022	client MUNISH AND MANISHA
scale 1:50 @A1 1:100 @A3	drawing no. 22 / 95W / EX 102
	revision -

scale bar for 1:50





MIKE BECK DESIGN

t: 07961 031 843
w: www.mikebeckdesign.co.uk
e: info@mikebeckdesign.co.uk