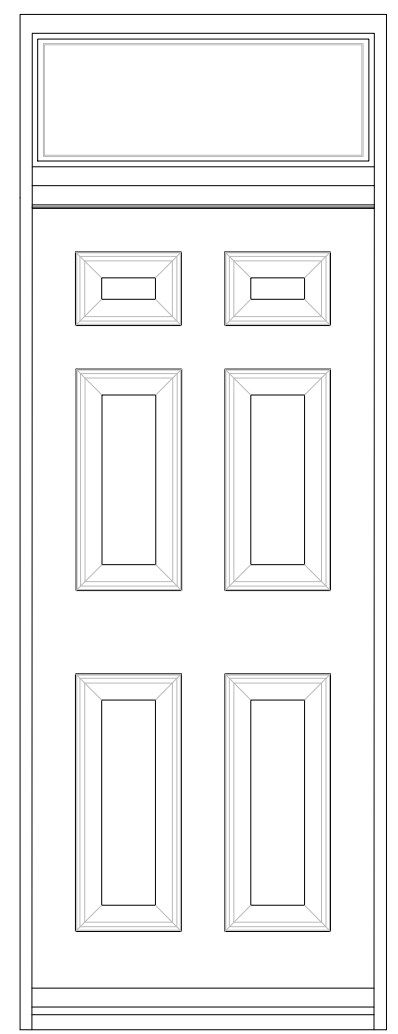
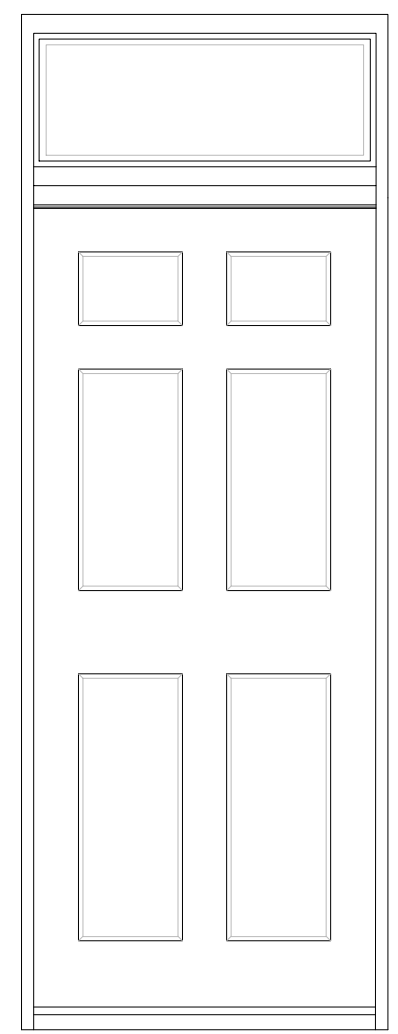


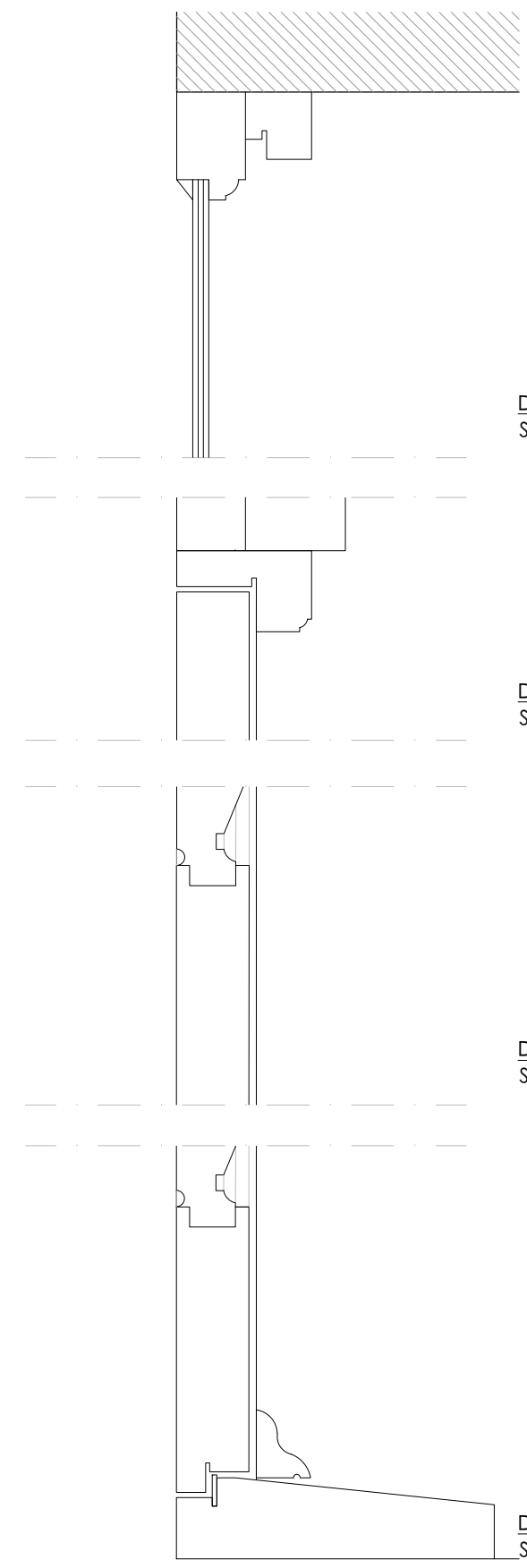
Vertical Section
Scale 1:20



External Elevation
Scale 1:20



Internal Elevation
Scale 1:20

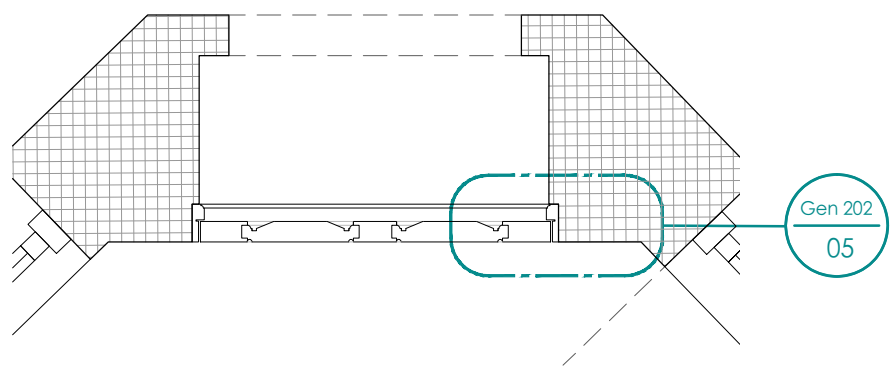


Detail 202 - 01
Scale 1:5

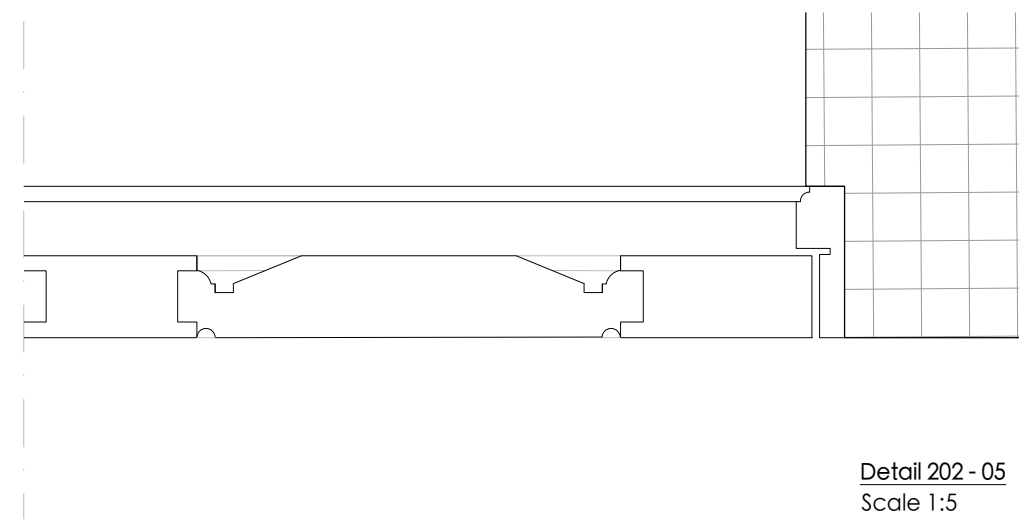
Detail 202 - 02
Scale 1:5

Detail 202 - 03
Scale 1:5

Detail 202 - 04
Scale 1:5



Plan Section
Scale 1:20



Detail 202 - 05
Scale 1:5



revisions

MICHAEL JONES ARCHITECTS
020 8948 1863 | 129 Kew Road, Richmond, TW9 2PN
www.mjarchitects.co.uk | studio@mjarchitects.co.uk

job title
The Navigator's House
client
Gareth and Victoria Bradley

drawing title
Proposed Front Door Detail
drawing number
2038.03.03.Pl01.202

scale	As noted @ A3
date	Sept 2024
drawn by	SP
checked by	IP