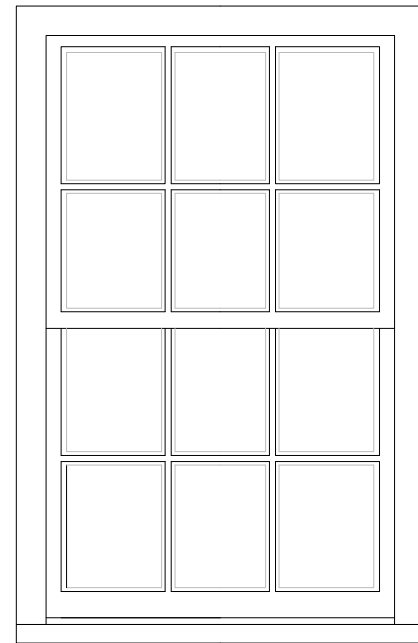
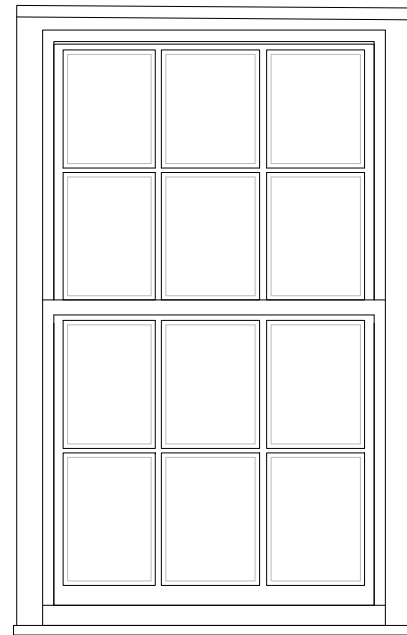


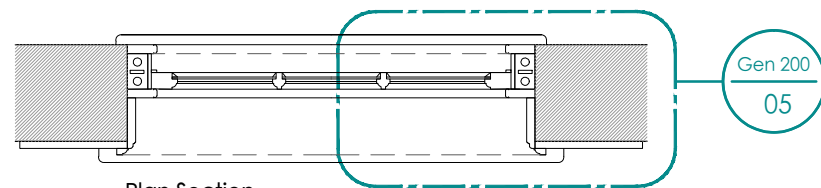
Vertical Section
Scale 1:20



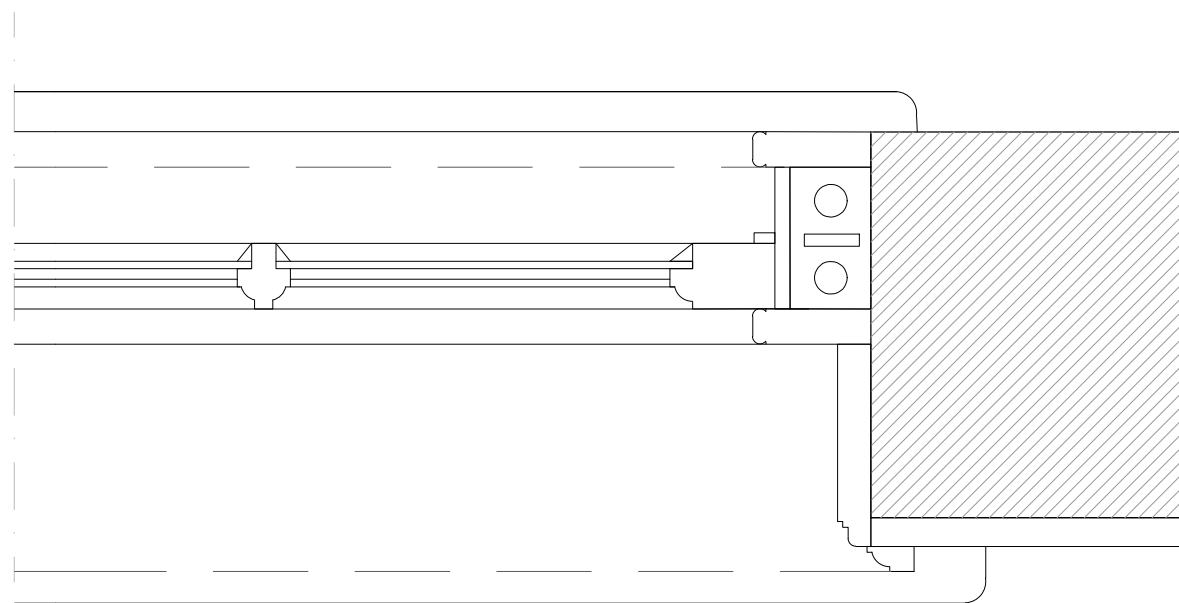
External Elevation
Scale 1:20



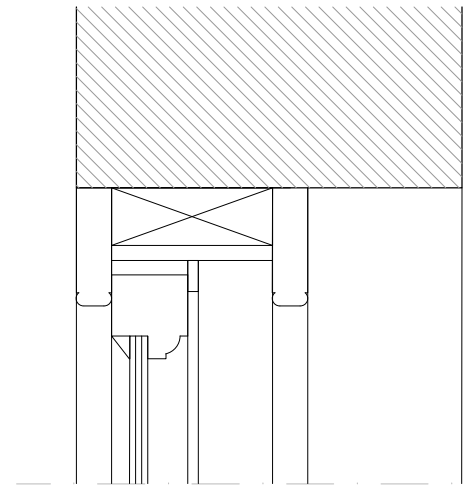
Internal Elevation
Scale 1:20



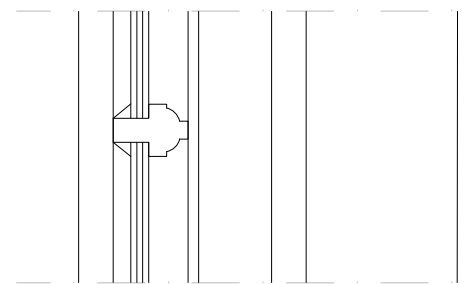
Plan Section
Scale 1:20



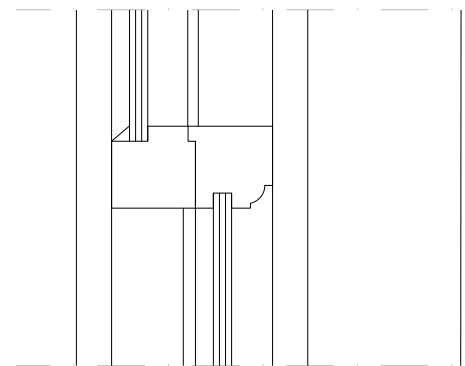
Detail 201 - 05
Scale 1:5



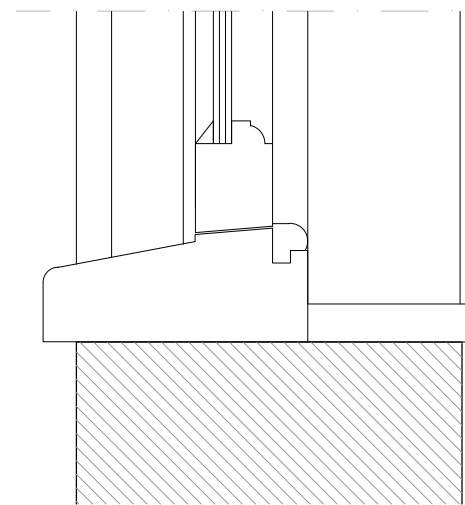
Detail 201 - 01
Scale 1:5



Detail 201 - 02
Scale 1:5



Detail 201 - 03
Scale 1:5



Detail 201 - 04
Scale 1:5



revisions

MICHAEL JONES ARCHITECTS
020 8948 1863 | 129 Kew Road, Richmond, TW9 2PN
www.mjarchitects.co.uk | studio@mjarchitects.co.uk

job title

The Navigator's House

client

Gareth and Victoria Bradley

drawing title

Existing Sashed Window Detail

drawing number

2038.01.03.Exg.201

scale As noted @ A3

date Sept 2024

rev drawn by VG

checked by IP