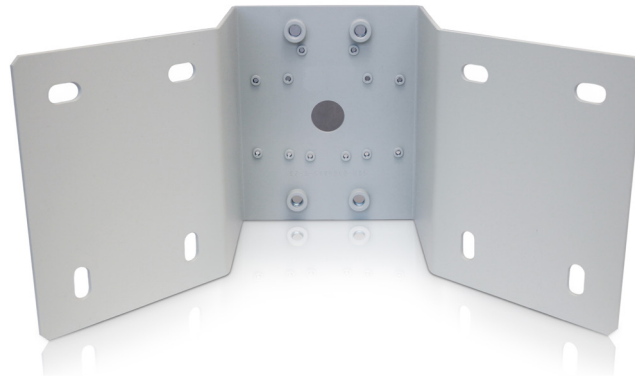


Corner Mounting Bracket



CRNMT-1001

Aluminum corner mounting bracket for dome cameras using a pendant wall mount and bullet cameras.

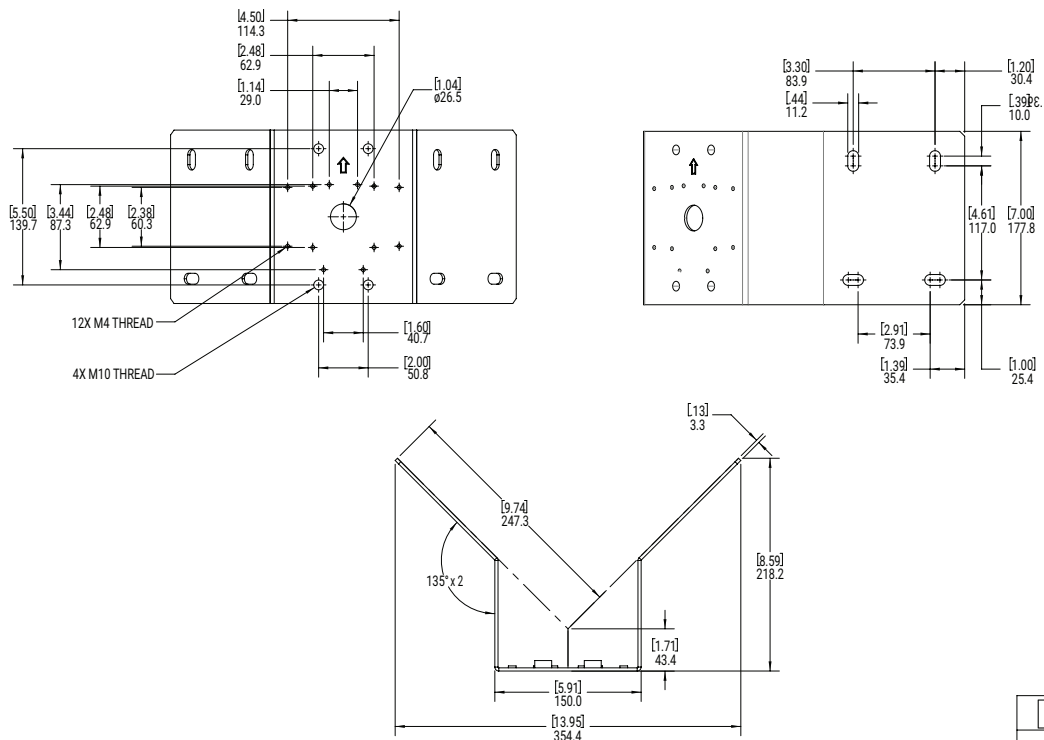
Weight: 1.24 kg (2.73 lbs)

Finish: Powder coat, close to Pantone 427C

- Female inserts
- 6"–20" Metal straps included
- Minimum pole diameter is 152.4 mm (6")
- Maximum pole diameter is 508 mm (20")
 - Wall mounting hardware not included

Included components for camera and accessories:

- 4 x Hex head bolts (3/8" – 16 x 1")
- 4 x Lock washers (3/8")
- 4 x Flat washers (3/8")
- 4 x Hex head bolts (M4-0.7 x 30)
- 4 x Lock Washers (M4)
- 4 x Flat washers (M4)



[X.X]	INCHES
X	MM