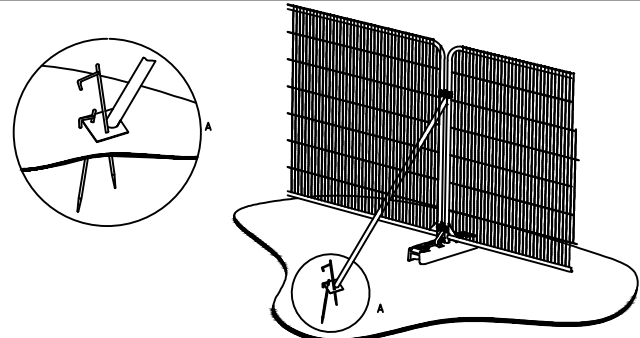
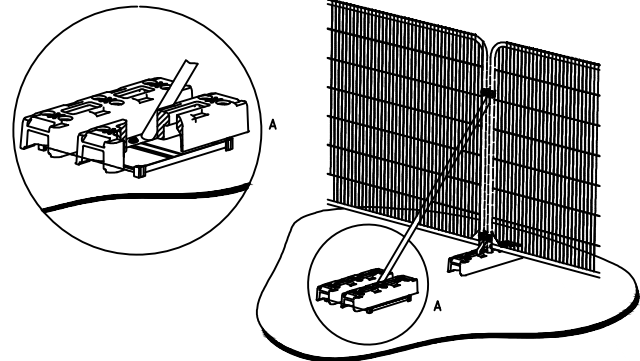


Figure 3 Examples of above-ground stabilizing systems



a) Stabilizer strut with base plate secured with ground pins

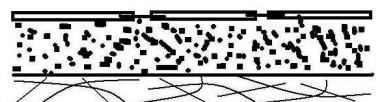


b) Stabilizer strut mounted on block tray

**CONSTRUCTION
EXCLUSION ZONE -
NO ACCESS**

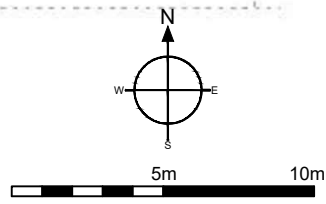
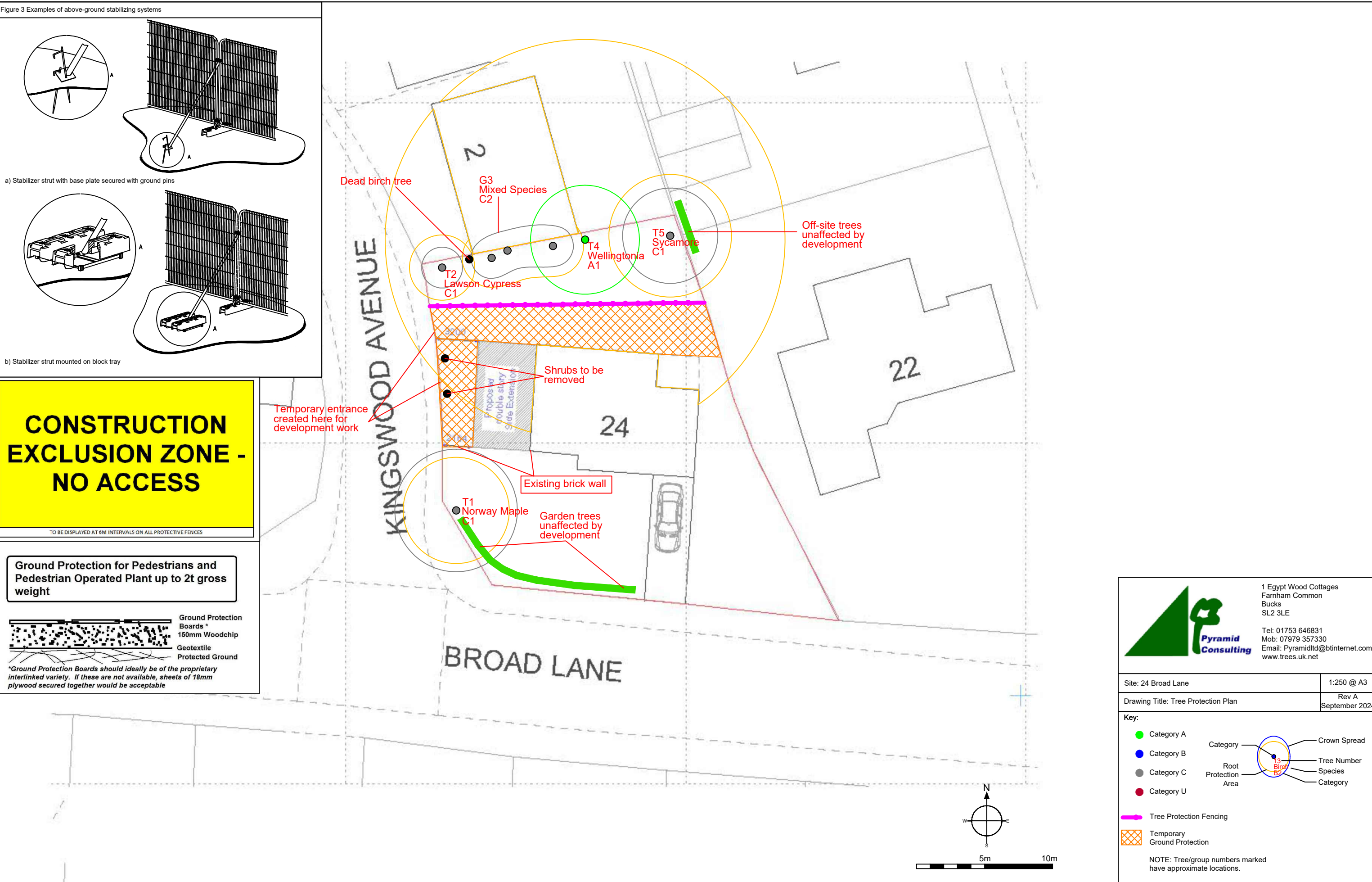
TO BE DISPLAYED AT 6M INTERVALS ON ALL PROTECTIVE FENCES

**Ground Protection for Pedestrians and
Pedestrian Operated Plant up to 2t gross
weight**



Ground Protection
Boards *
150mm Woodchip
Geotextile
Protected Ground

**Ground Protection Boards should ideally be of the proprietary interlinked variety. If these are not available, sheets of 18mm plywood secured together would be acceptable*




1 Egypt Wood Cottages
Farnham Common
Bucks
SL2 3LE

Tel: 01753 646831
Mob: 07979 357330
Email: PyramidLtd@btinternet.com
www.trees.uk.net

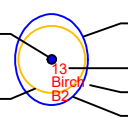
Site: 24 Broad Lane	1:250 @ A3
Drawing Title: Tree Protection Plan	Rev A September 2024

Key:

- Category A
- Category B
- Category C
- Category U

Category

Root Protection Area



Crown Spread

Tree Number

Species

Category

— Tree Protection Fencing

Temporary Ground Protection

NOTE: Tree/group numbers marked have approximate locations.