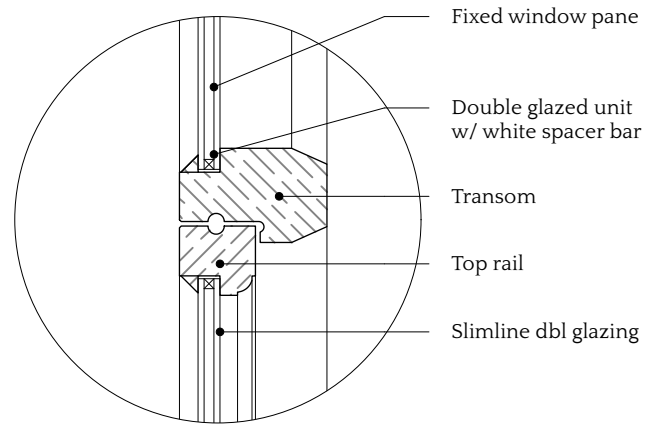
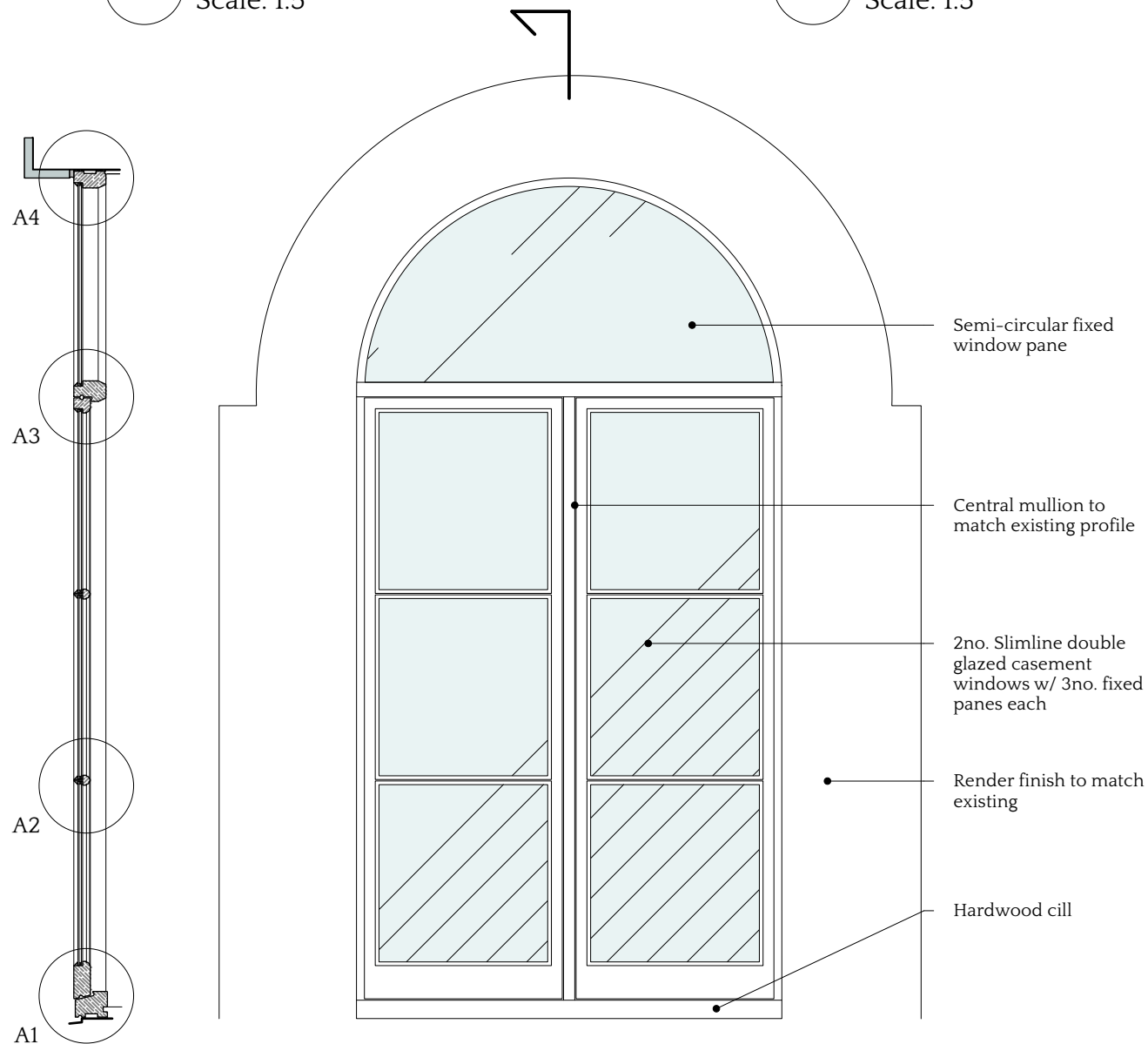


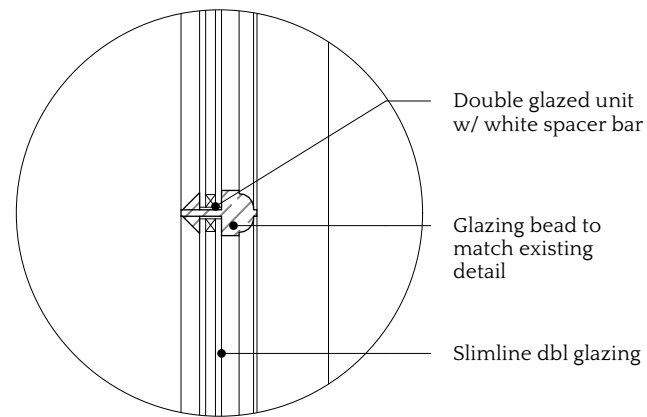
2 **Detail A4**
Scale: 1:5



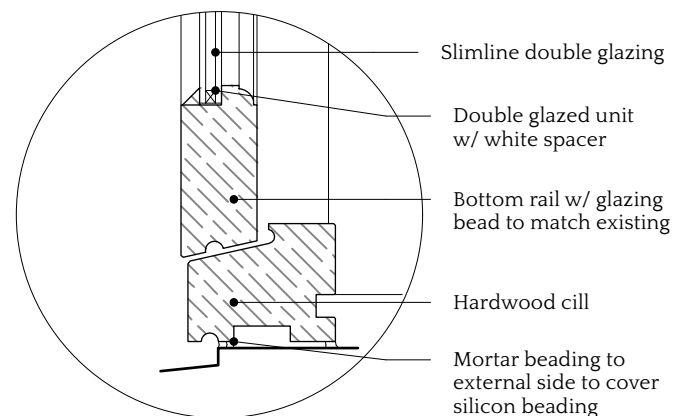
3 **Detail A3**
Scale: 1:5



1 **Window Type A: Double Casement w/ Fanlight**
Scale: 1:20



4 **Detail A2**
Scale: 1:5



5 **Detail A1**
Scale: 1:5

REV	DATE	REVISION NOTE	BY
P1	17/10/2024	Amendment to spacer bar spec. in line w/ comments	BC



PROJECT LONDON

W WWW.PROJECTLONDON.CO.UK
E INFO@PROJECTLONDON.CO.UK P 020 3488 6982

STATUS
PROPOSED

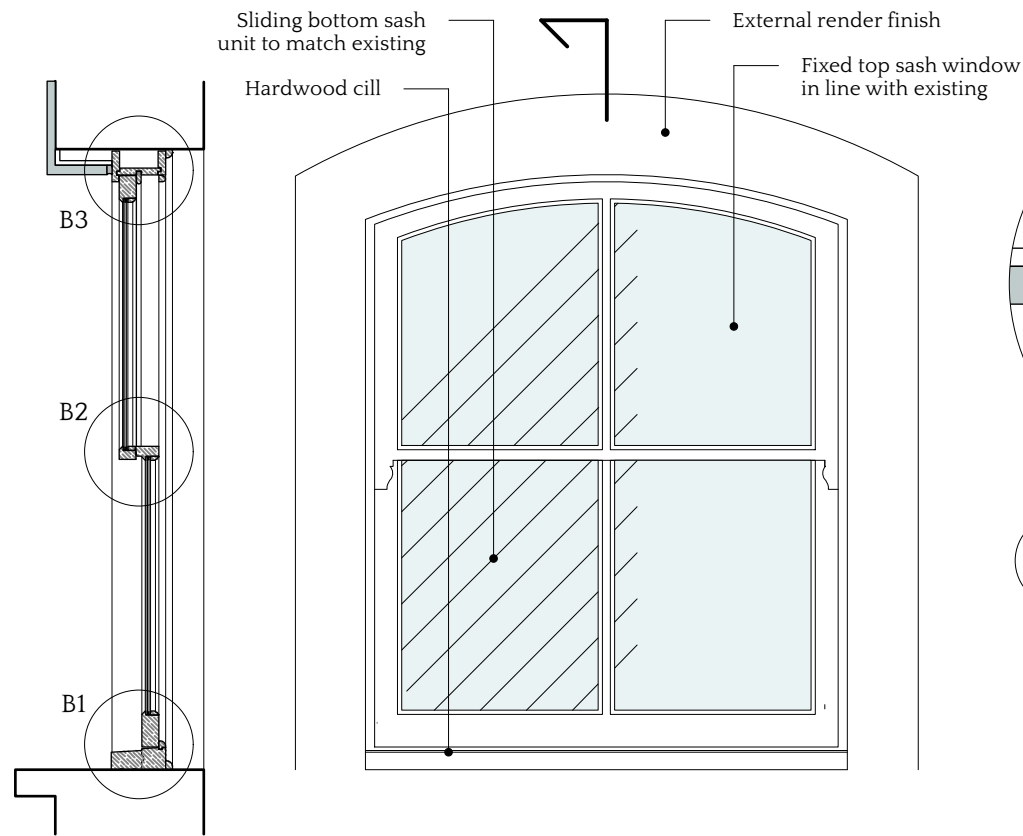
ORIGINAL SHEET SIZE
ISO A3

PROJECT ADDRESS
Project White Hart
2a Eleanor Grove, SW13 0JN

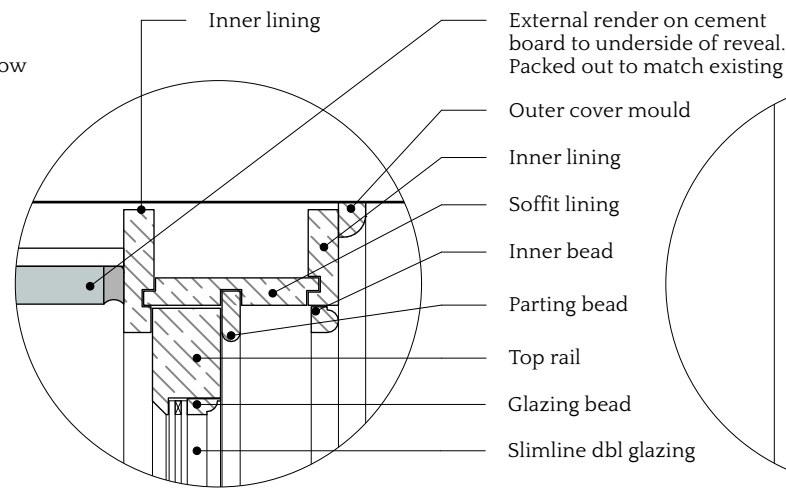
DRAWING TITLE
Proposed - Window Type A

Dimensions stated are in millimetres unless specifically noted otherwise.
Do not rely upon sizes scaled directly from printed drawings.
Contractor to ensure full size colour printed copies of this drawing are made available on site and to all relevant subcontractors as required.
Drawing prepared solely for the use of the client and is not to be used by any third party without permission.
Where any drawing is to be read in conjunction with another, including specialists, the two drawings shall be cross-checked and any discrepancies reported to the architect before the work is put in hand.

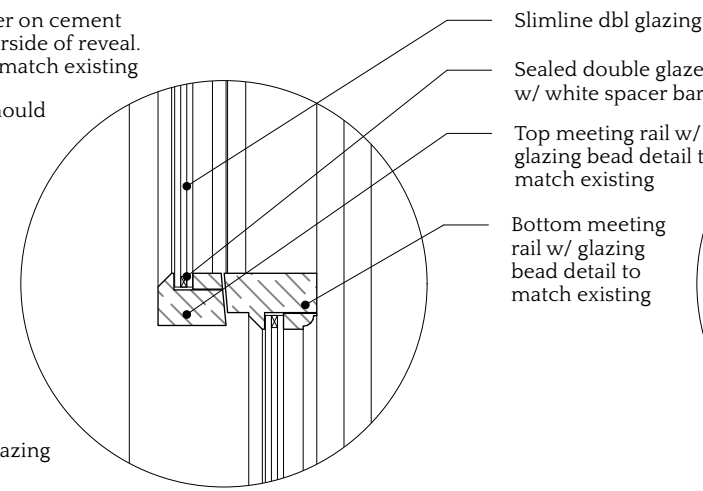
SCALE	DATE CREATED	DRAWN	CHKD
1:20 & 1:5	04/07/2024	BC	KM
PROJECT NUMBER	DRAWING NUMBER	REVISION	
2405	06-01	P1	



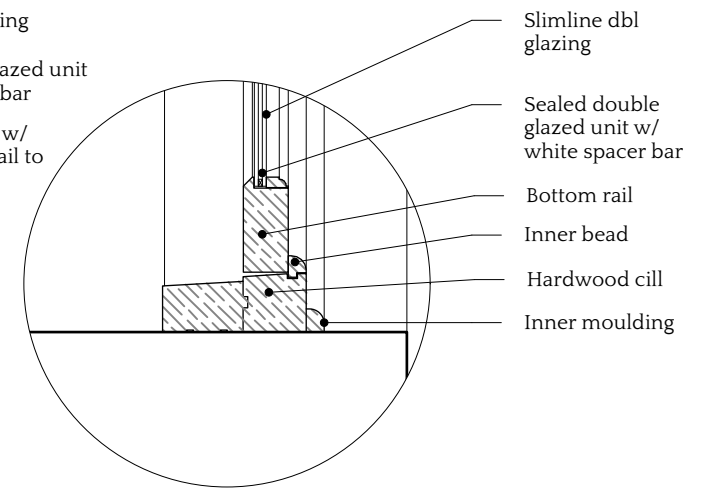
1 Window Type B: Sliding Sash
Scale: 1:20



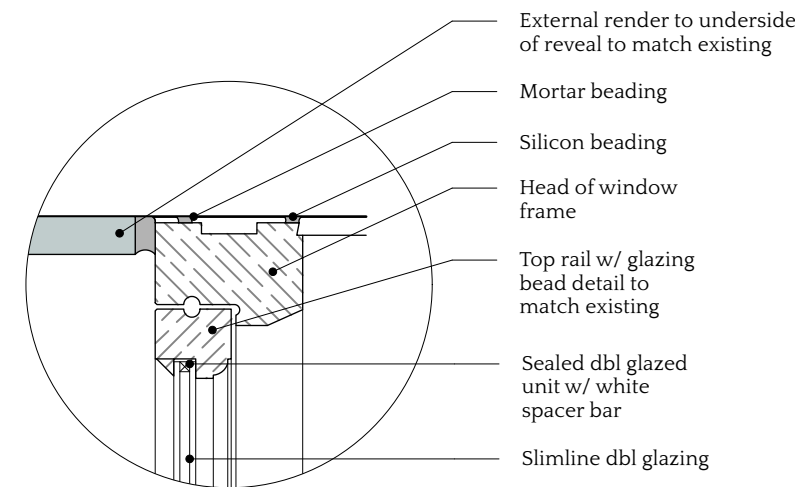
3 Detail B3
Scale: 1:5



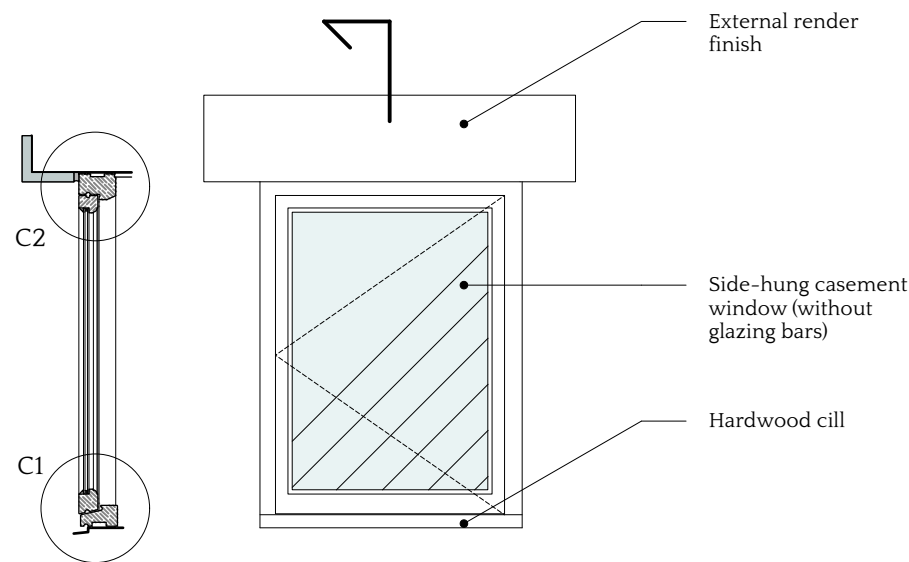
4 Detail B2
Scale: 1:5



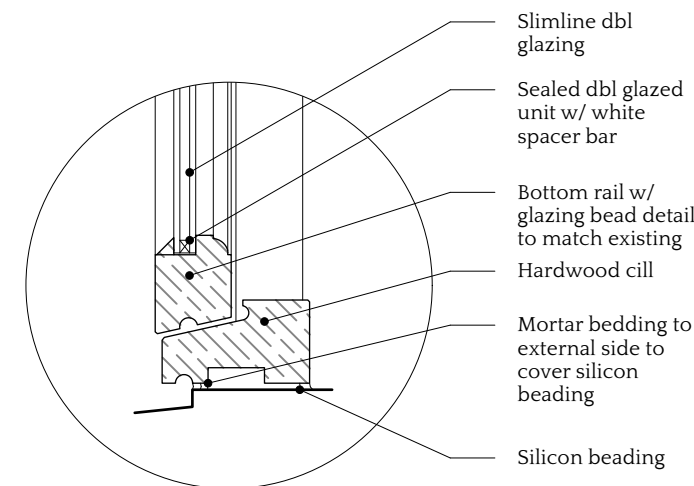
5 Detail B1
Scale: 1:5



6 Detail C2
Scale: 1:5



2 Window Type C: Side-Hung Casement
Scale: 1:20



7 Detail C1
Scale: 1:5

REV	DATE	REVISION NOTE	BY
P1	17/10/2024	Amendment to spacer bar spec. in line w/ comments	BC



PROJECT LONDON

W WWW.PROJECTLONDON.CO.UK
E INFO@PROJECTLONDON.CO.UK P 020 3488 6982

STATUS: **PROPOSED**

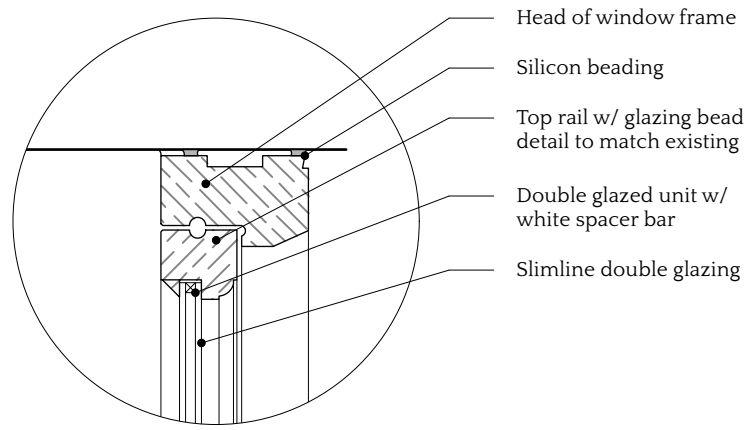
ORIGINAL SHEET SIZE: **ISO A3**

PROJECT ADDRESS: **Project White Hart**
2a Eleanor Grove, SW13 0JN

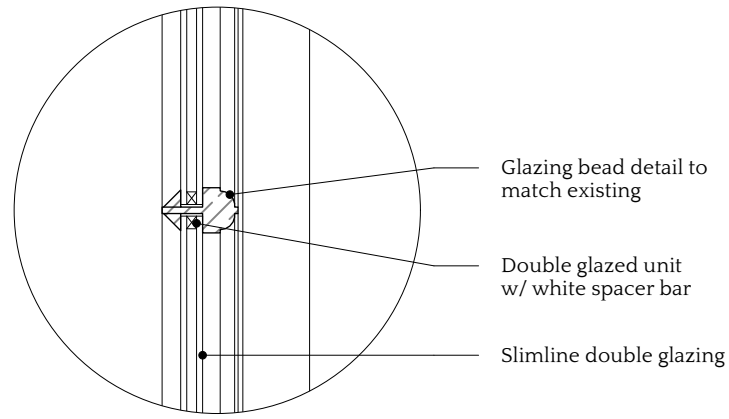
DRAWING TITLE: **Proposed - Window Type B & C**

Dimensions stated are in millimetres unless specifically noted otherwise. Do not rely upon sizes scaled directly from printed drawings. Contractor to ensure full size colour printed copies of this drawing are made available on site and to all relevant subcontractors as required. Drawing prepared solely for the use of the client and is not to be used by any third party without permission. Where any drawing is to be read in conjunction with another, including specialists, the two drawings shall be cross-checked and any discrepancies reported to the architect before the work is put in hand.

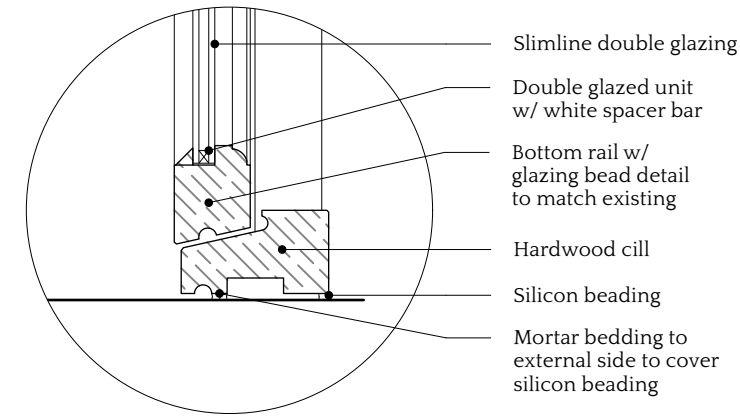
SCALE	DATE CREATED	DRAWN	CHKD
1:20 & 1:5	04/07/2024	BC	KM
PROJECT NUMBER	DRAWING NUMBER	REVISION	
2405	06-02	P1	



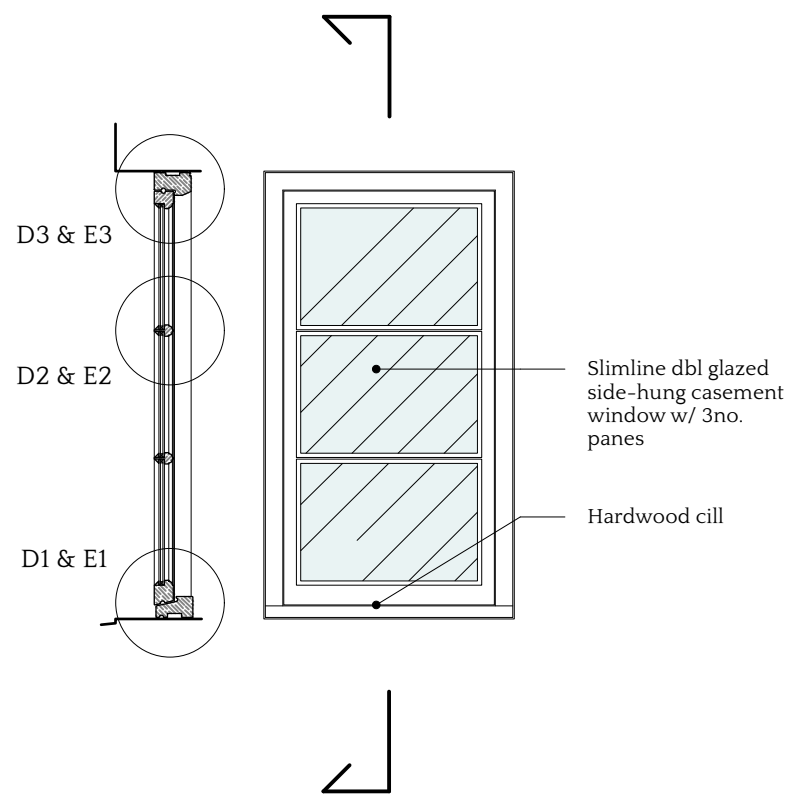
3 Detail D3 & E3
Scale: 1:5



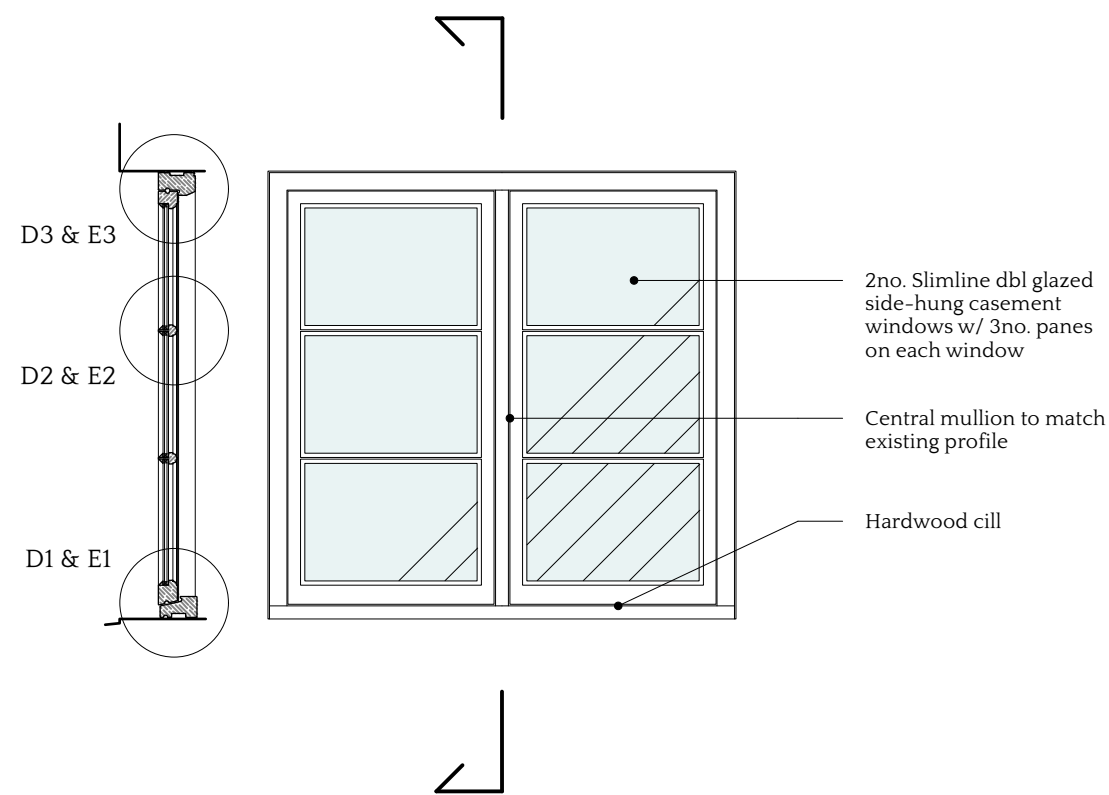
4 Detail D2 & E2
Scale: 1:5



5 Detail D1 & E1
Scale: 1:5



1 Window Type D: Side-Hung Casement 2
Scale: 1:20



2 Window Type E: Double Casement
Scale: 1:20

REV	DATE	REVISION NOTE	BY
P1	17/10/2024	Amendment to spacer bar spec. in line w/ comments	BC



PROJECT LONDON

W WWW.PROJECTLONDON.CO.UK
E INFO@PROJECTLONDON.CO.UK P 020 3488 6982

STATUS: **PROPOSED**
Dimensions stated are in millimetres unless specifically noted otherwise. Do not rely upon sizes scaled directly from printed drawings. Contractor to ensure full size colour printed copies of this drawing are made available on site and to all relevant subcontractors as required. Drawing prepared solely for the use of the client and is not to be used by any third party without permission. Where any drawing is to be read in conjunction with another, including specialists, the two drawings shall be cross-checked and any discrepancies reported to the architect before the work is put in hand.

ORIGINAL SHEET SIZE: **ISO A3**

PROJECT ADDRESS: **Project White Hart**
2a Eleanor Grove, SW13 0JN

DRAWING TITLE: **Proposed - Window Type D & E**

SCALE	DATE CREATED	DRAWN	CHKD
1:20 & 1:5	04/07/2024	BC	KM
PROJECT NUMBER	DRAWING NUMBER	REVISION	
2405	06-03	P1	