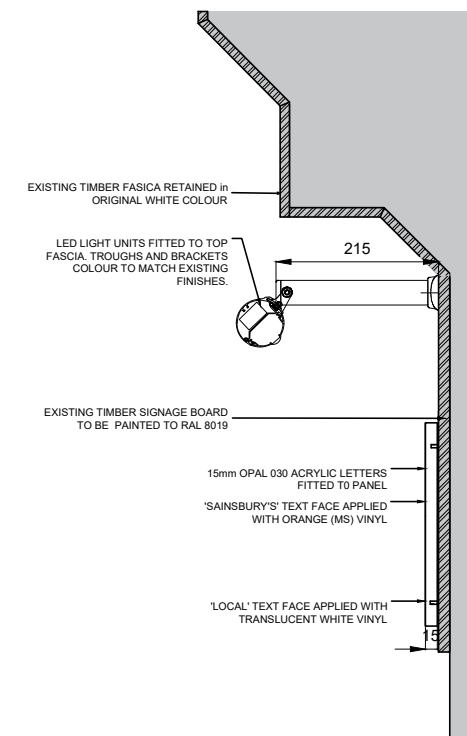
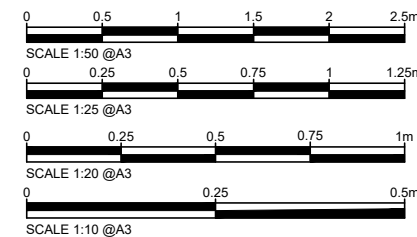


01 PROPOSED FASCIA SIGN A -EXTERNALLY ILLUMINATED- ILLUMINATION LEVEL - 375 cd/m²
1:50@A3



02 PROPOSED FASCIA SIGNAGE DETAILS-EXTERNALLY ILLUMINATED- ILLUMINATION LEVEL - 375 cd/m²
1:10@A3



C	09.10.24	General amendment	JN
B	08.10.24	Sign colour amendment	JN
A	07.10.24	Sign updated to trough light	JN
-	13.09.24	First Issue	ZE

Revision	Date	Description	Drawn

architects
project managers
cost consultants



2nd Floor
13 Swan Yard
Islington, London
N1 1SD
T: 0203 637 8980

Status
PLANNING

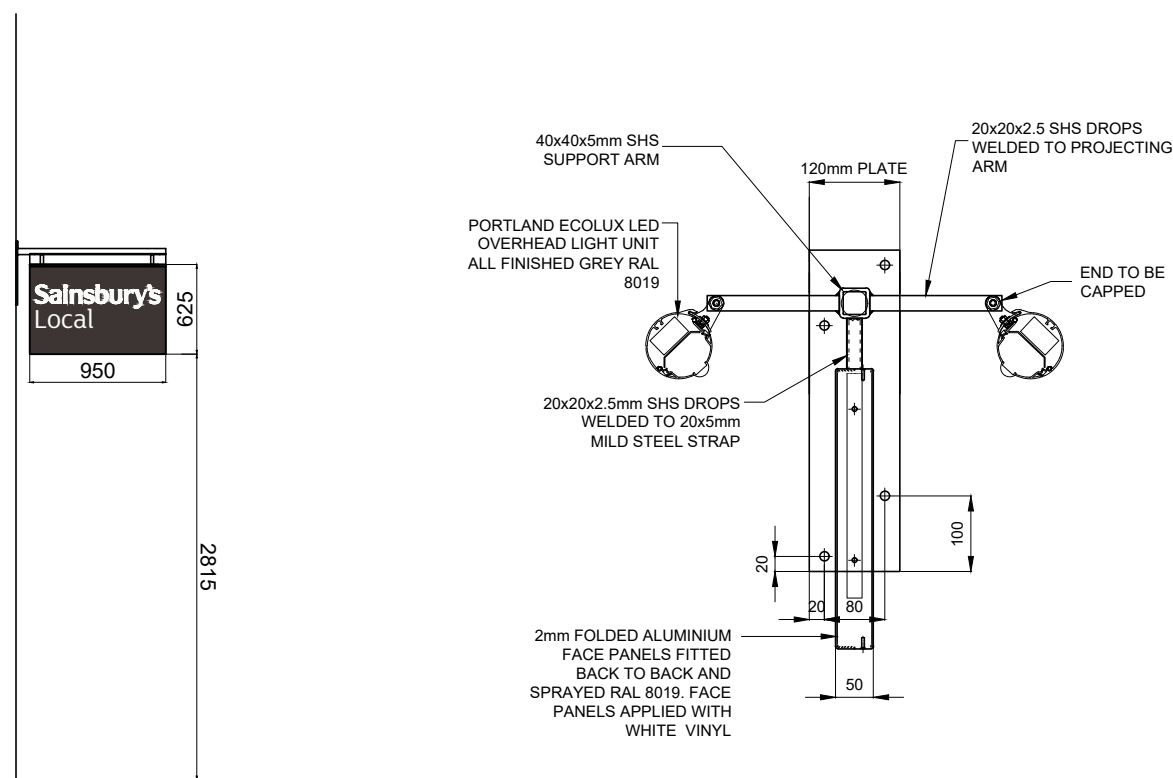
Client
SAINSBURY'S

Project Title
**HAMPTON WICK
59-61 HIGH STREET, KT1 4DG**

Drawing Title
**PROPOSED
SIGNAGE DETAILS
SITE REF: - 118165**

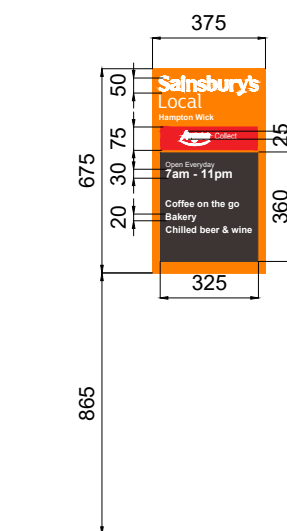
Project Number P_118165	Drawing Number P-215	Revision C
Drawn ZE	Checked VA	Scale AS SHOWN@A3
Date 13.09.2024		

The content of this drawing is the property of JLA Limited and may not be copied in whole or part without formal consent.

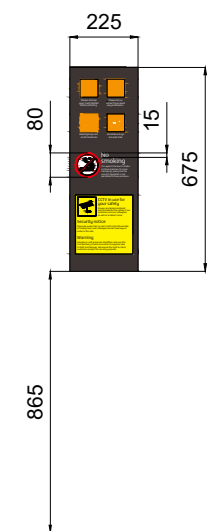


03 PROJECTING SIGN
1:50@A3
ILLUMINATION LEVEL - 204 cd/m²

04 PROJECTING SIGN DETAIL
1:10@A3



05 WELCOME MESSAGE
1:25@A3



06 STAT SIGN
1:25@A3