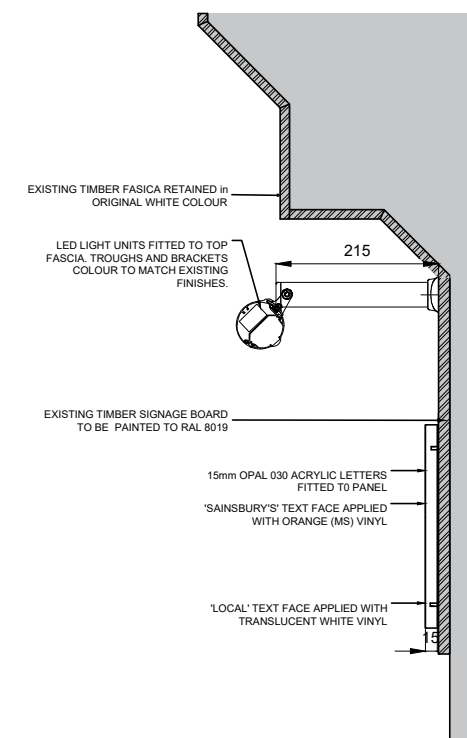
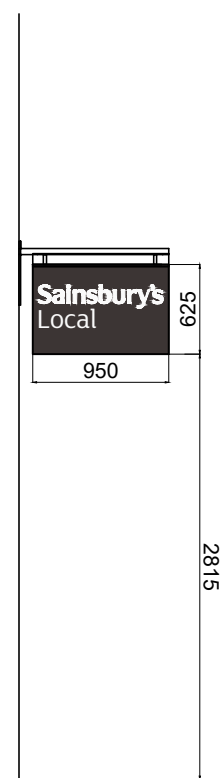
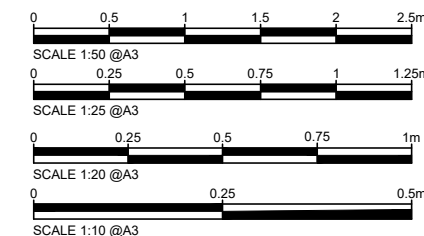


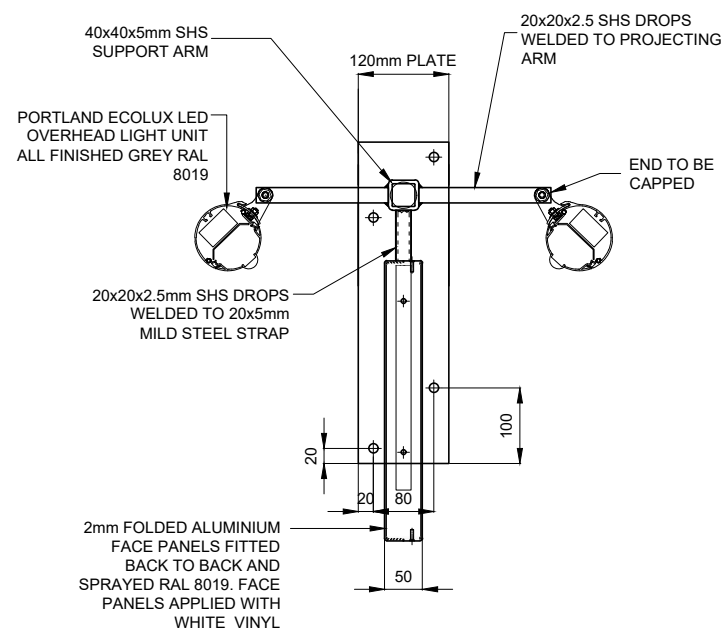
01 PROPOSED FASCIA SIGN A -EXTERNALLY ILLUMINATED- ILLUMINATION LEVEL - 300 cd/m²
1:50@A3



02 PROPOSED FASCIA SIGNAGE DETAILS-EXTERNALLY ILLUMINATED- ILLUMINATION LEVEL - 300 cd/m²
1:10@A3



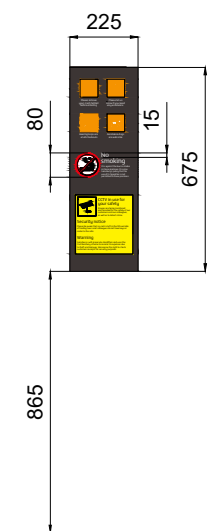
03 PROJECTING SIGN
1:50@A3
ILLUMINATION LEVEL - 204 cd/m²



04 PROJECTING SIGN DETAIL
1:10@A3



05 WELCOME MESSAGE
1:25@A3



06 STAT SIGN
1:25@A3

Revision	Date	Description	Drawn
D	14.11.24	Lighting Brightness Amended	JN
C	09.10.24	General amendment	JN
B	08.10.24	Sign colour amendment	JN
A	07.10.24	Sign updated to trough light	JN
-	13.09.24	First Issue	ZE

architects project managers cost consultants	
2nd Floor 13 Swan Yard Islington, London N1 1SD T: 0203 637 8980	

Status	PLANNING		
Client	SAINSBURY'S		
Project Title	HAMPTON WICK 59-61 HIGH STREET, KT1 4DG		
Drawing Title	PROPOSED SIGNAGE DETAILS SITE REF: - 118165		
Project Number	Drawing Number	Revision	
P_118165	P-215	D	
Drawn	Checked	Scale	Date
ZE	VA	AS SHOWN@A3	13.09.2024
The content of this drawing is the property of JLA Limited and may not be copied in whole or part without formal consent.			