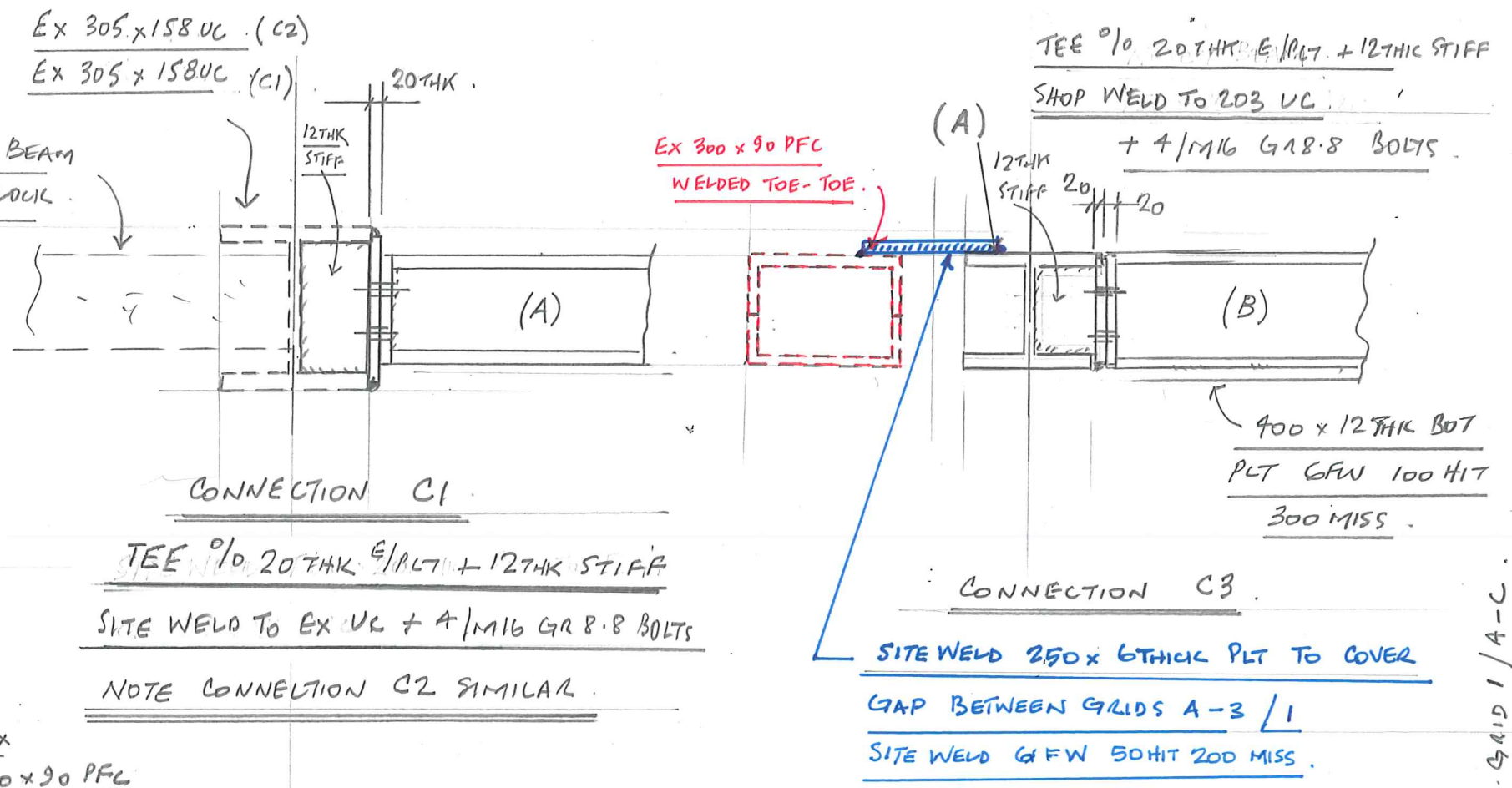


PLAN

PROPOSED 2nd Floor

LEGEND:

- (A) - 203 x 203 x 46 UC.
- (B) - 203 x 203 x 46 UC + 400 x 12 THK BOT PLT.
- (C) - 203 x 203 x 52 UC + 400 x 12 THK BOT PLT.

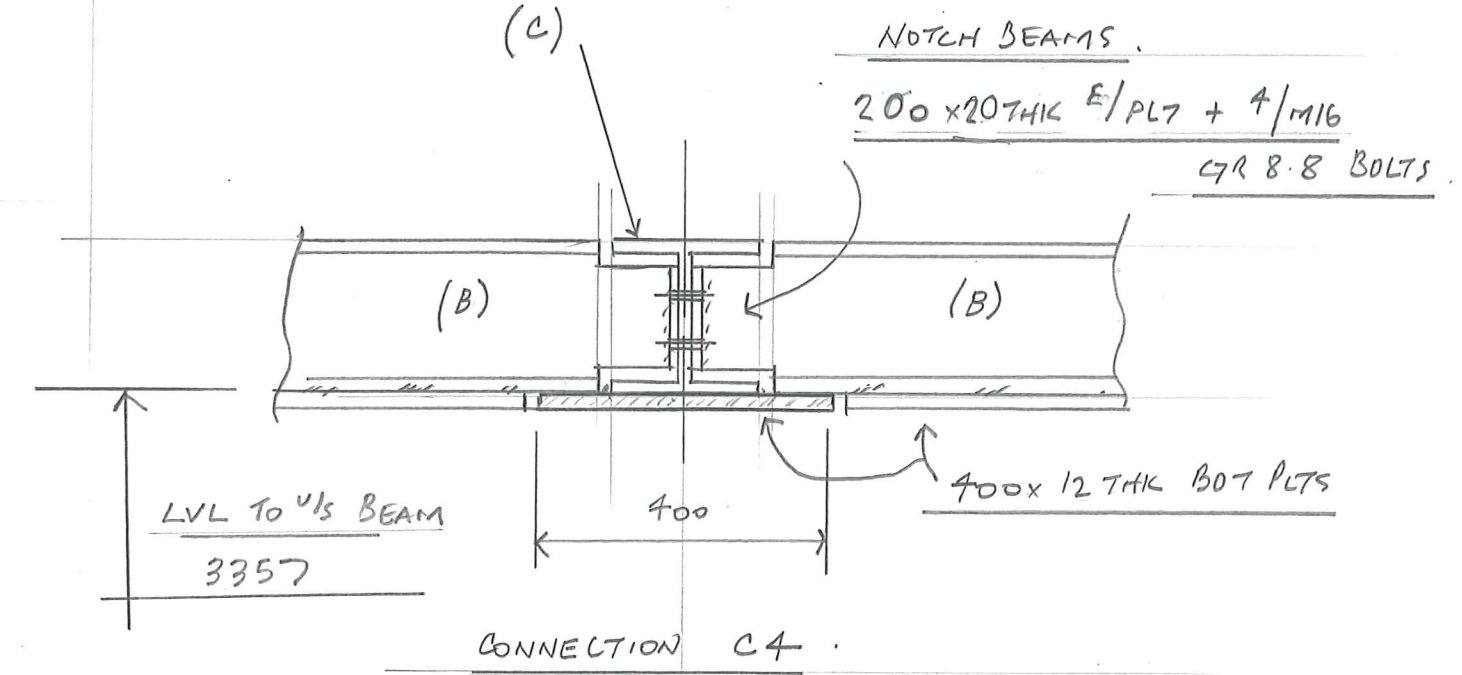


CONNECTION C1

TEE 20THK E/PLT + 12THK STIFF
 SITE WELD TO EX UC + 4/M16 GR 8.8 BOLTS
 NOTE CONNECTION C2 SIMILAR

CONNECTION C3

SITE WELD 250x6THK PLT TO COVER GAP BETWEEN GRIDS A-3 / 1
 SITE WELD GFW 50 HIT 200 MISS

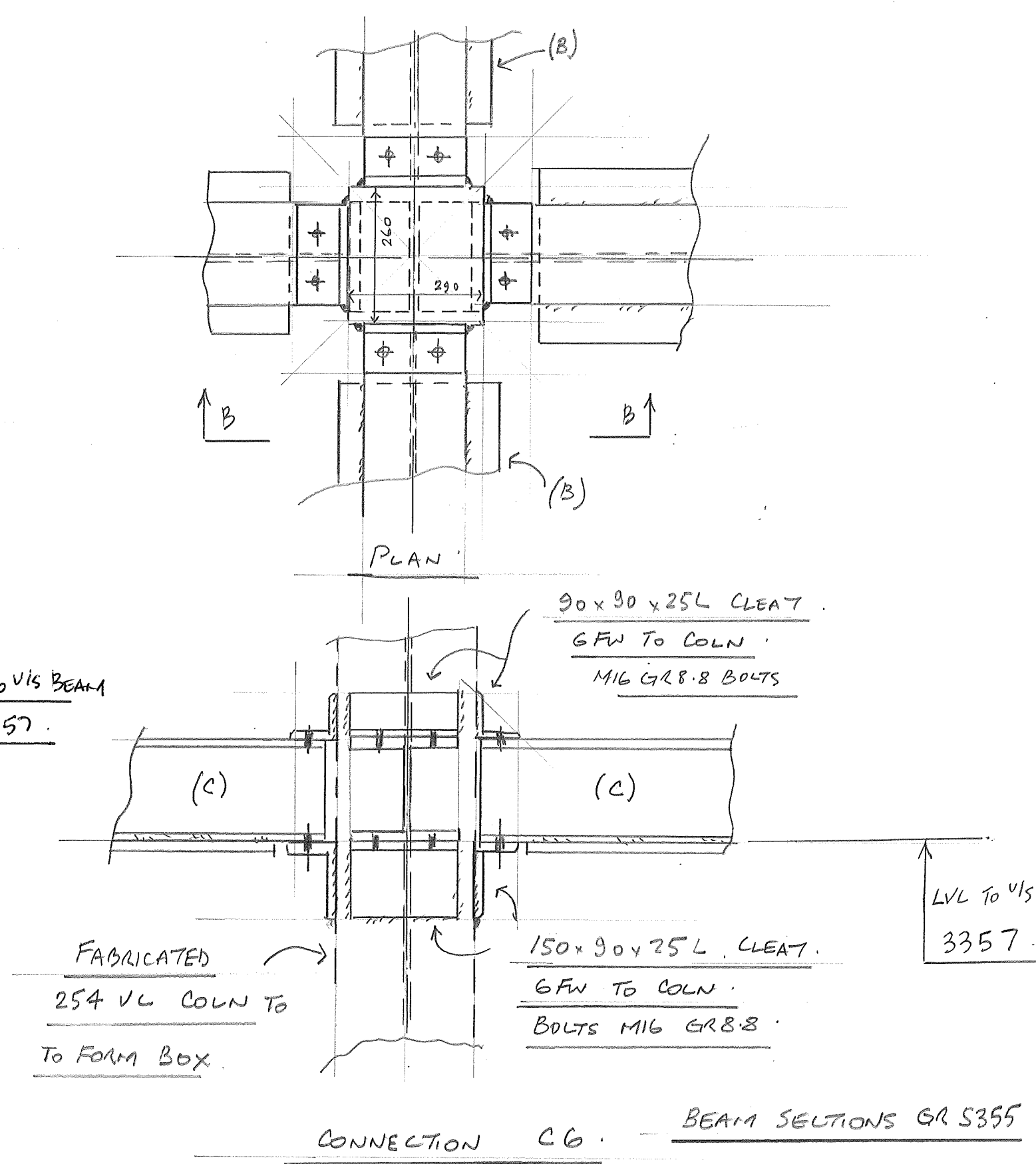
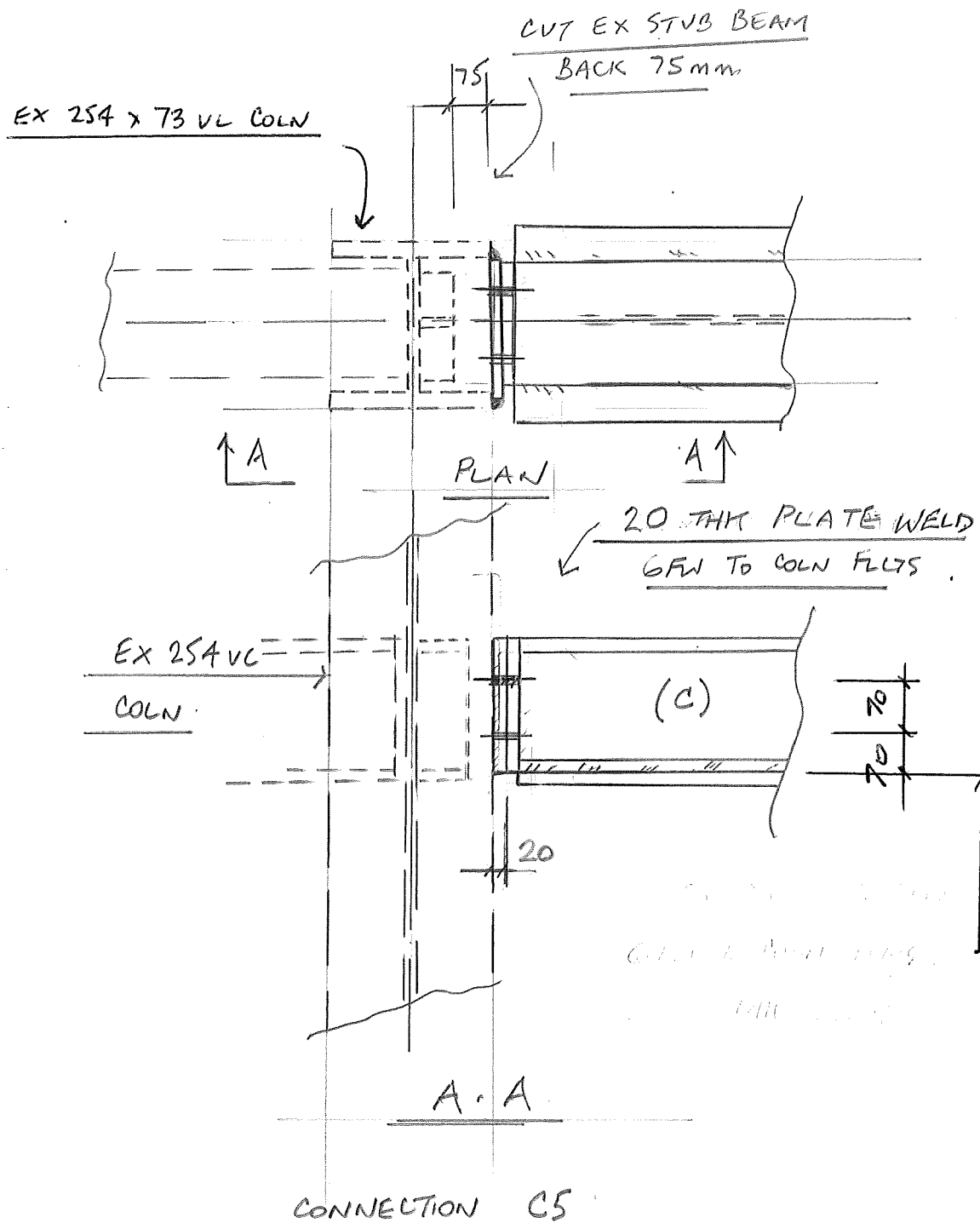


CONNECTION C4

BEAM SECTIONS GR S355

<p>Elstead Engineering Limited Unit 3 Essex House Josselin Road, Basildon Essex SS13 1EL Telephone - 01268 725 150 Facsimile - 01268 725 160</p>	<p>General Notes: - Holes: diameter UNO Welds: 6 mm Fillets UNO Surface Treatment: S/B + ZINC PHOSPHATE PRIMER</p>	<p>Contract: PALM COURT Drawing Title: PROPOSED STEEL - STEEL CONNECTION DETAILS</p>	<p>Contract No: 2309 / 01 Drawing No: GA1 - C Date: OCT 23</p>
---	---	---	---

REV A 6/11 - SITE DIMS ADDED
 REV B 22/11 - SITE DIMS + MARKS ADDED
 REV C 15/11 COVER PLT ADDED. GRID 1/A-C



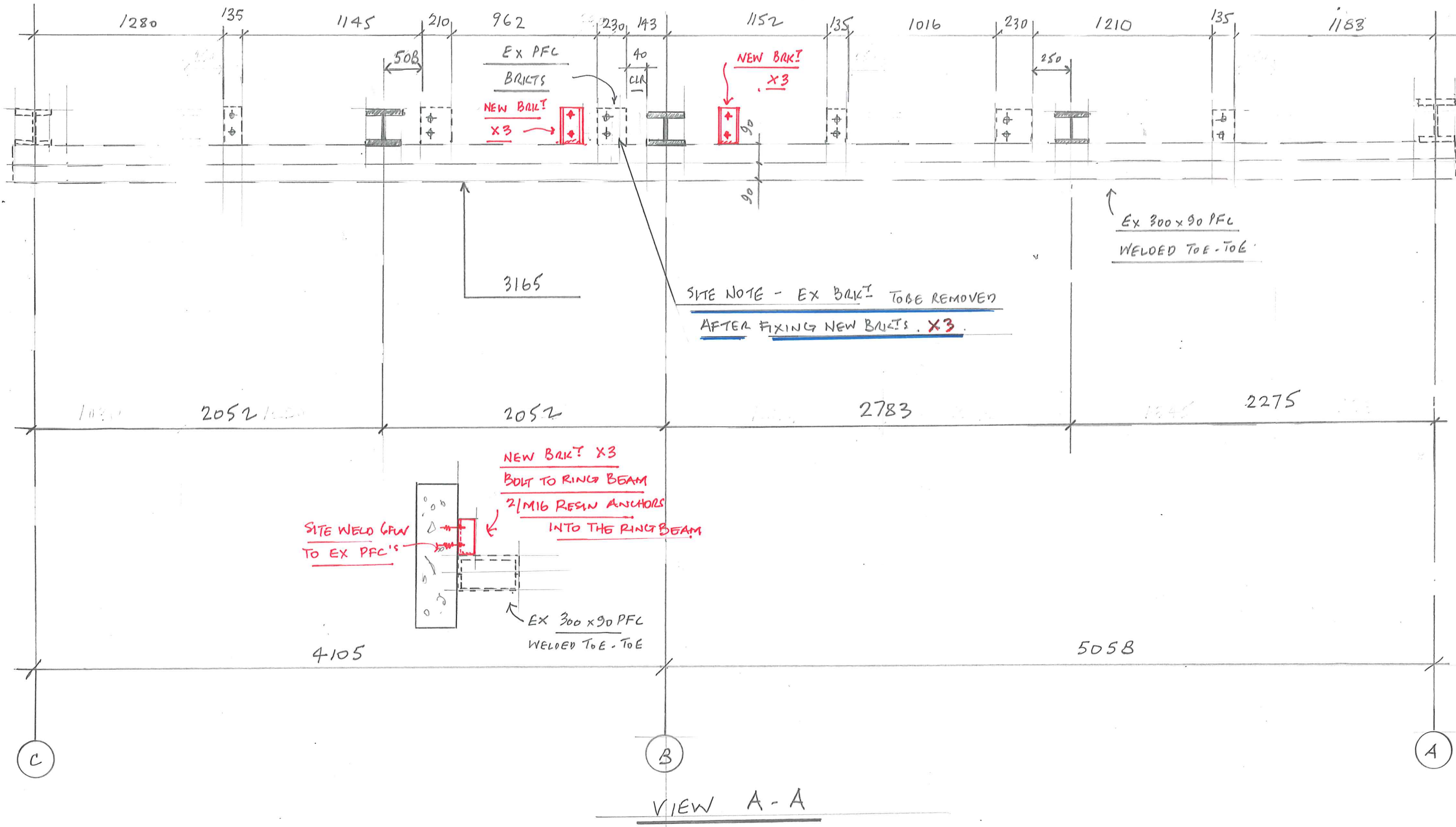
Elstead Engineering Limited
 Unit 3 Essex House Josselin Road,
 Basildon Essex SS13 1EL
 Telephone - 01268 725 150
 Facsimile - 01268 725 160

General Notes: -
 Holes: diameter UNO
 Welds: 6 mm Fillets UNO
 Surface Treatment:
S/B + ZINC PHOSPHATE PRIMER

Contract: PALM COURT
Drawing Title:
PROPOSED STEEL -
STEEL CONNECTION DETAILS

Contract No: 2309 / 01
Drawing No: GA 2/B
Date: OCT 23

REV A 3-11-23 CONNE C5 UPDATED TO SITE VISIT.
 REV B 20/11/23 UPDATED TO CALCULATION COMMENTS



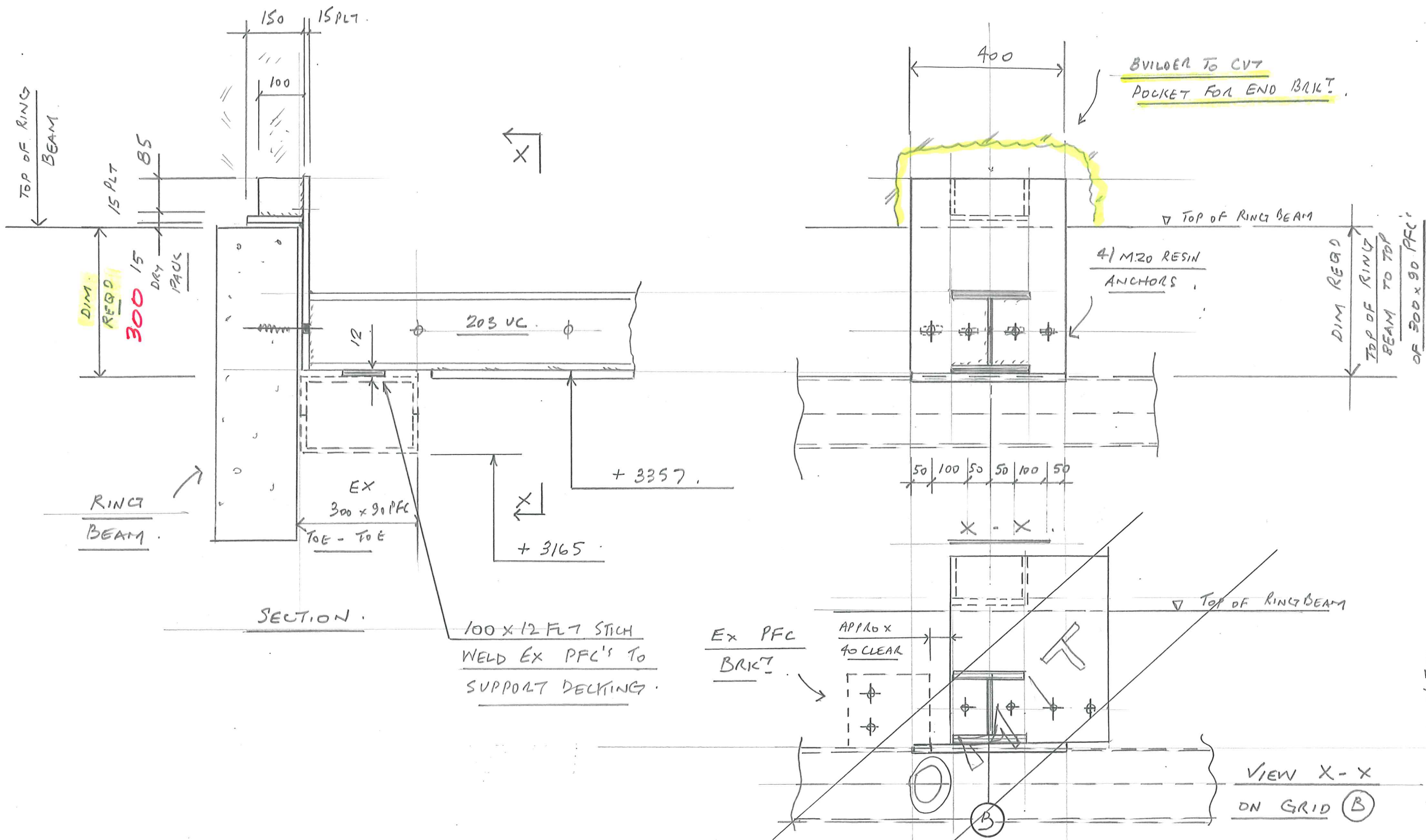
Elstead Engineering Limited
 Unit 3 Essex House Josselin Road,
 Basildon Essex SS13 1EL
 Telephone - 01268 725 150
 Facsimile - 01268 725 160

General Notes: -
 Holes: diameter UNO
 Welds: 6 mm Fillets UNO
 Surface Treatment:

Contract: PLAM COURT,
Drawing Title: VIEW A-A.

Contract No: 2309 - 01.
Drawing No: GA3-A
Date: NOV 23

REV A - 22/11/23 X3 BRKTS ADDED



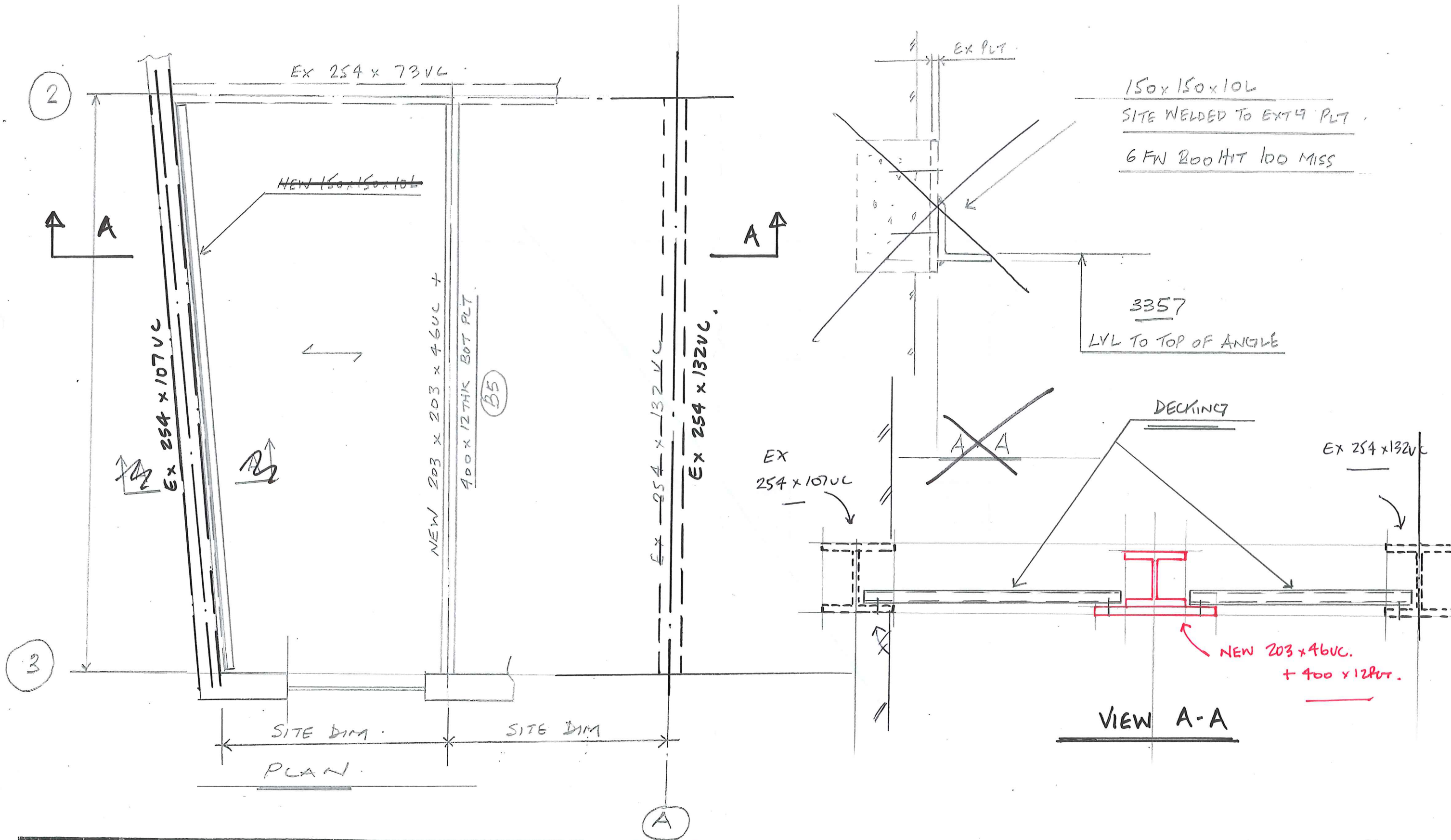
Elstead Engineering Limited
 Unit 3 Essex House Josselin Road,
 Basildon Essex SS13 1EL
 Telephone - 01268 725 150
 Facsimile - 01268 725 160

General Notes: -
 Holes: diameter UNO
 Welds: 6 mm Fillets UNO
 Surface Treatment:

Contract:
PALMA COURT
Drawing Title:
FIXING DETAILS
 TO RING BEAM

Contract No:
2309-01
Drawing No:
GA4-A
Date
NOV 23

REV A 21/11 OMIT DETAIL AS NOTED

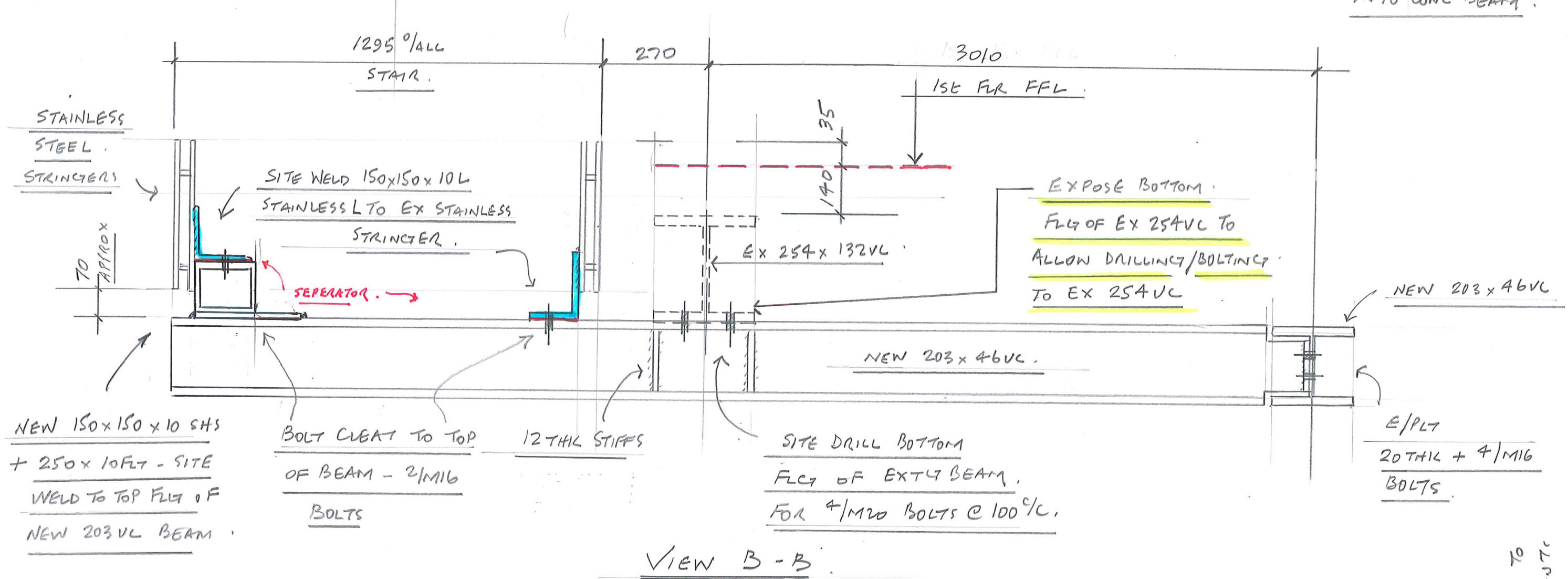
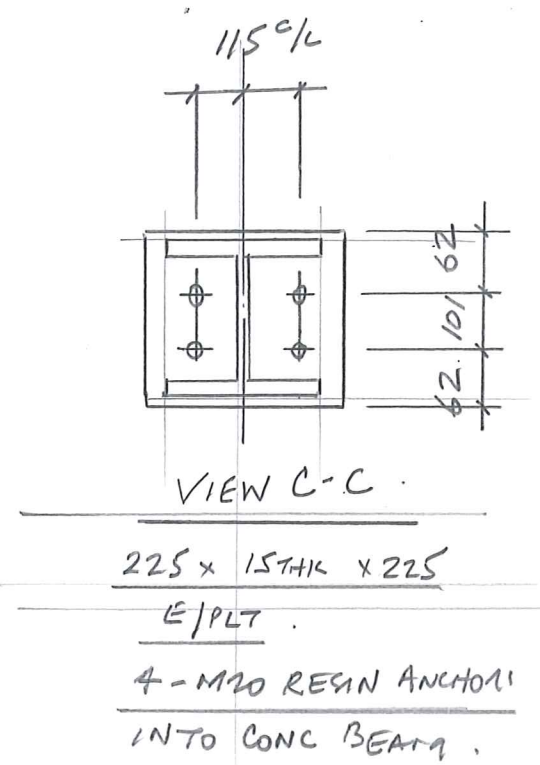
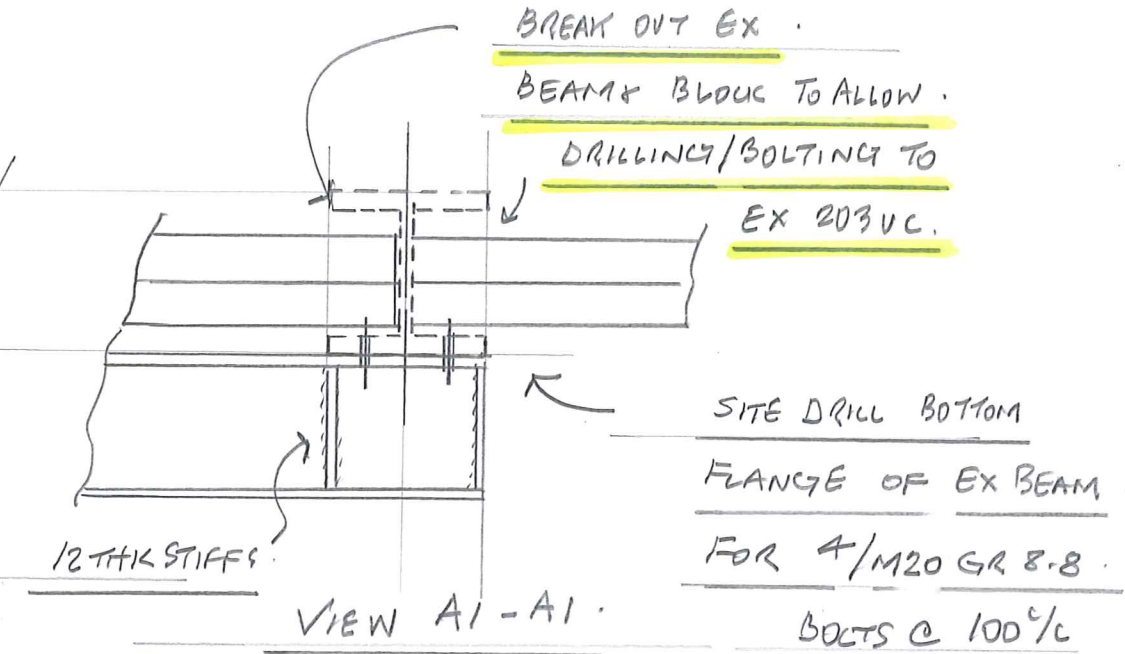
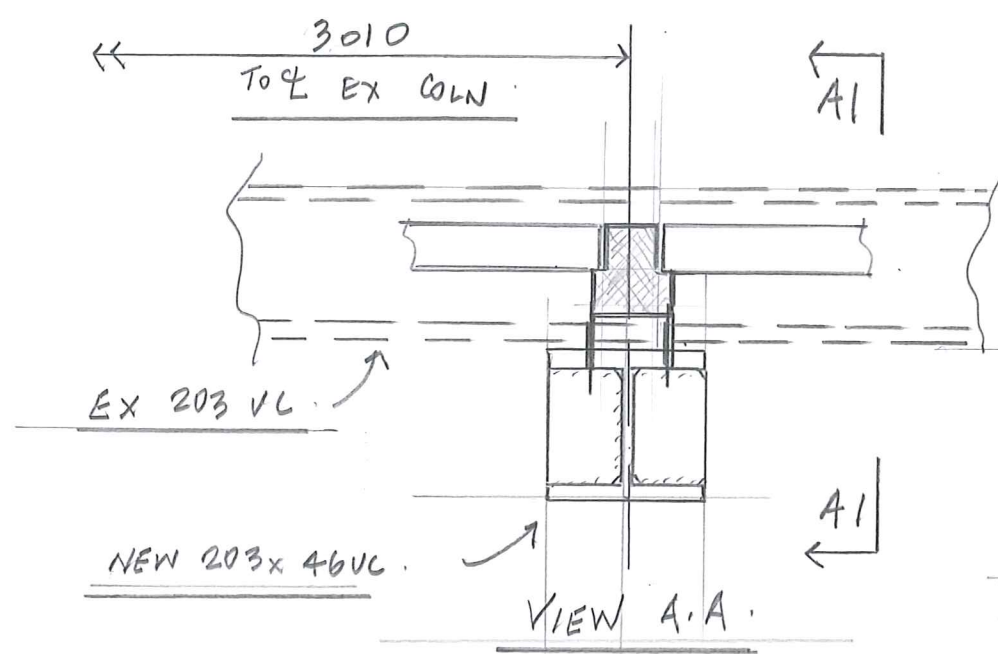


Elstead Engineering Limited
 Unit 3 Essex House Josselin Road,
 Basildon Essex SS13 1EL
 Telephone - 01268 725 150
 Facsimile - 01268 725 160

General Notes: -
 Holes: diameter UNO
 Welds: 6 mm Fillets UNO
 Surface Treatment:

Contract: PALM COURT
Drawing Title: SITE WORK DETAIL FOR NEW SHELF ANGLE

Contract No: 2309-01
Drawing No: GA5-B
Date: NOV 23



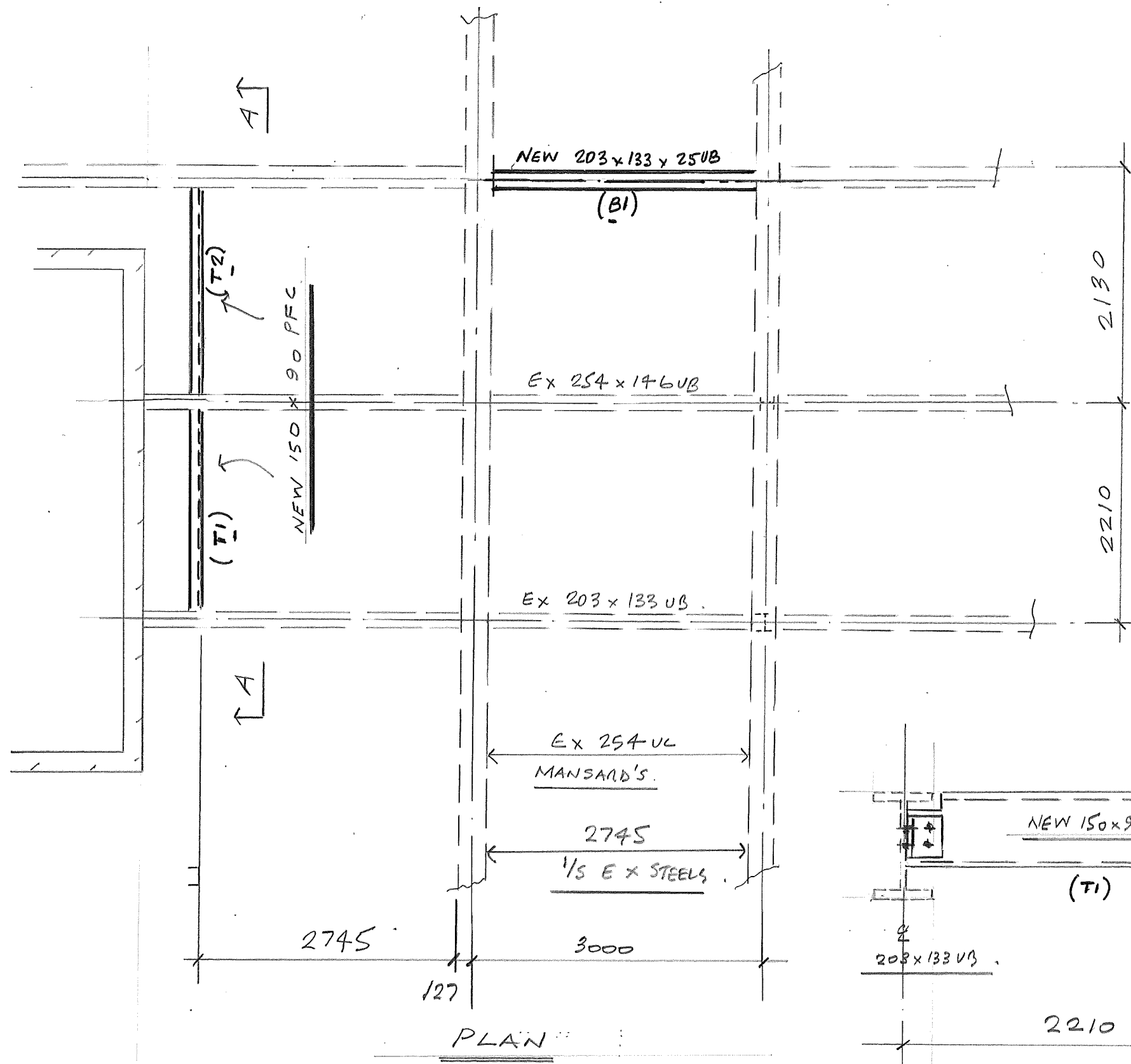
Elstead Engineering Limited
 Unit 3 Essex House Josselin Road,
 Basildon Essex SS13 1EL
 Telephone - 01268 725 150
 Facsimile - 01268 725 160

General Notes: -
 Holes: diameter UNO
 Welds: 6 mm Fillets UNO
 Surface Treatment:
 S/B + ZINC PHOSPHATE
 PRIMER

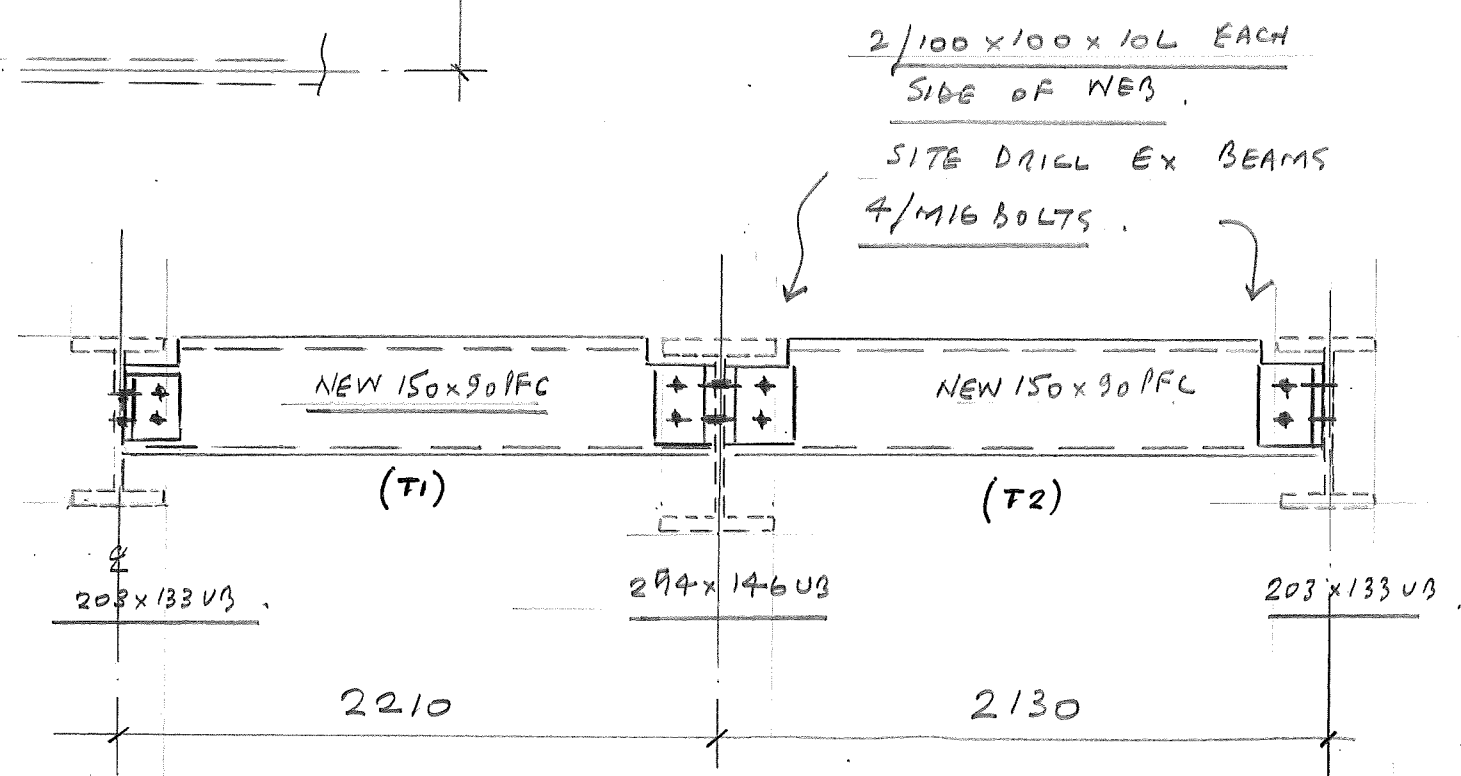
Contract: PALM COURT
Drawing Title: 1ST FLOOR SECTIONS

Contract No: 2309/01
Drawing No: GA7-A
Date: JAN 24

REV A: UPDATED TO ENG'S COMMENTS



PLAN



VIEW A-A

2/100x100x10L EACH
SIDE OF WEB
SITE DRILL EX BEAMS
4/M16 BOLTS

Elstead Engineering Limited
 Unit 3 Essex House Josselin Road,
 Basildon Essex SS13 1EL
 Telephone - 01268 725 150
 Facsimile - 01268 725 160

General Notes: -
 Holes: diameter UNO
 Welds: 6 mm Fillets UNO
 Surface Treatment:

Contract: PALM COURT.
Drawing Title: ROOF TRIMMERS.

Contract No: 2309/01
Drawing No: R.T1/A
Date: MAR 24

REV A: 21/3 NEW
 203x133UB ADDED