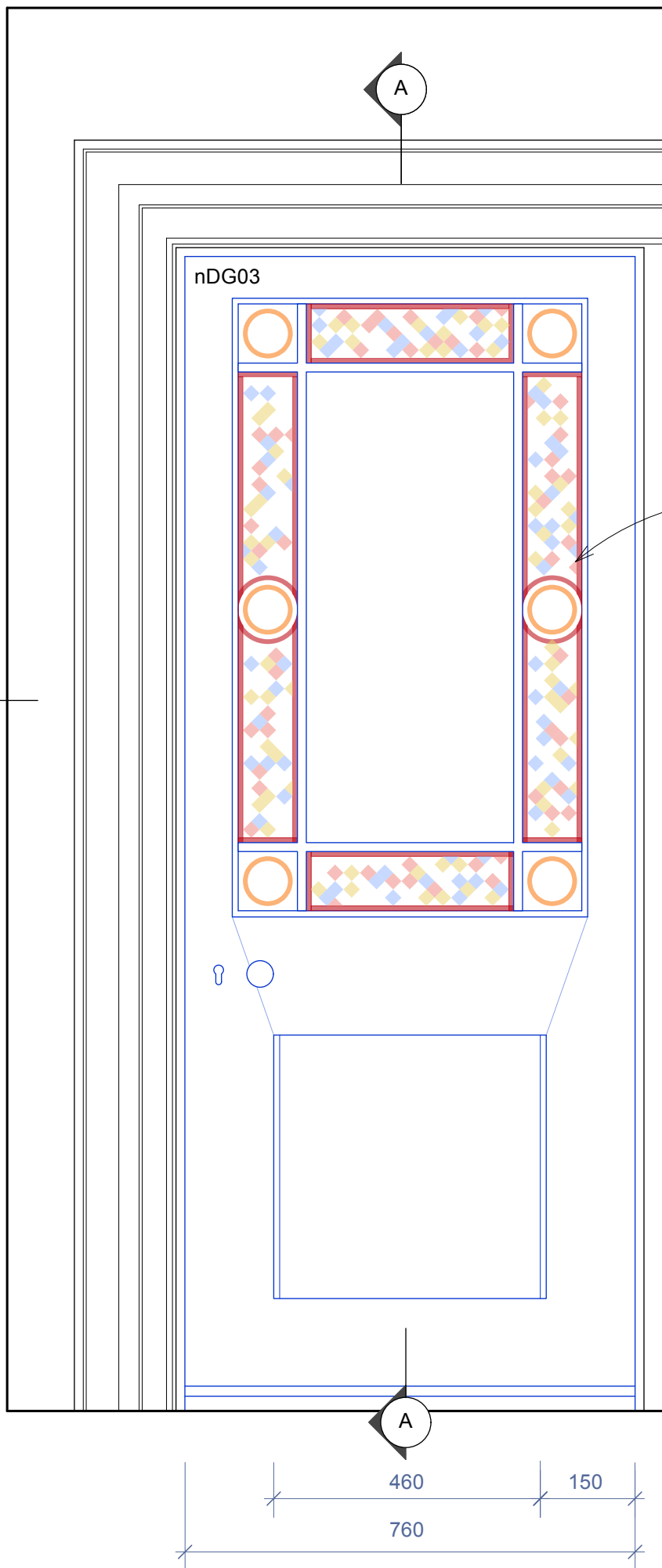


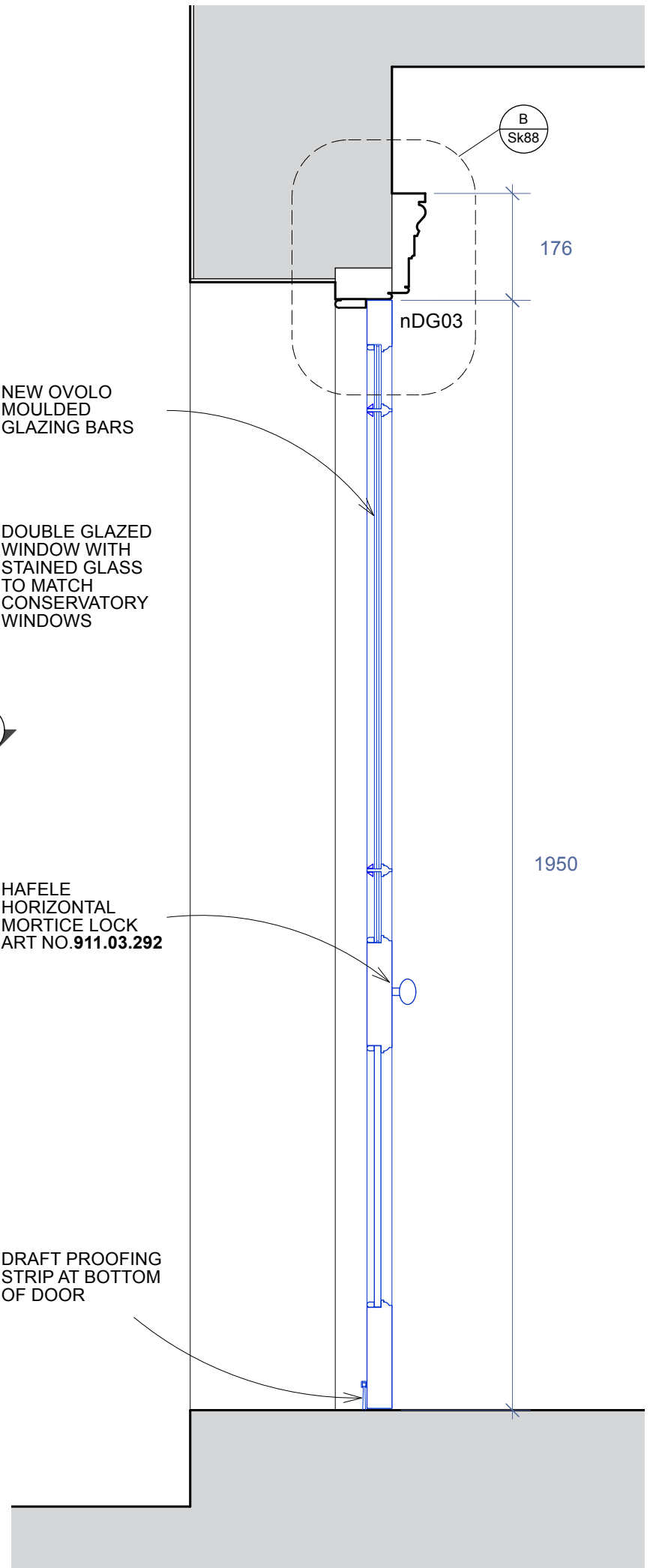
PLAN SECTION B-B @ 1:10



PHOTO OF CONSERVATORY WINDOWS



ELEVATION @ 1:10



SECTION A-A @ 1:10

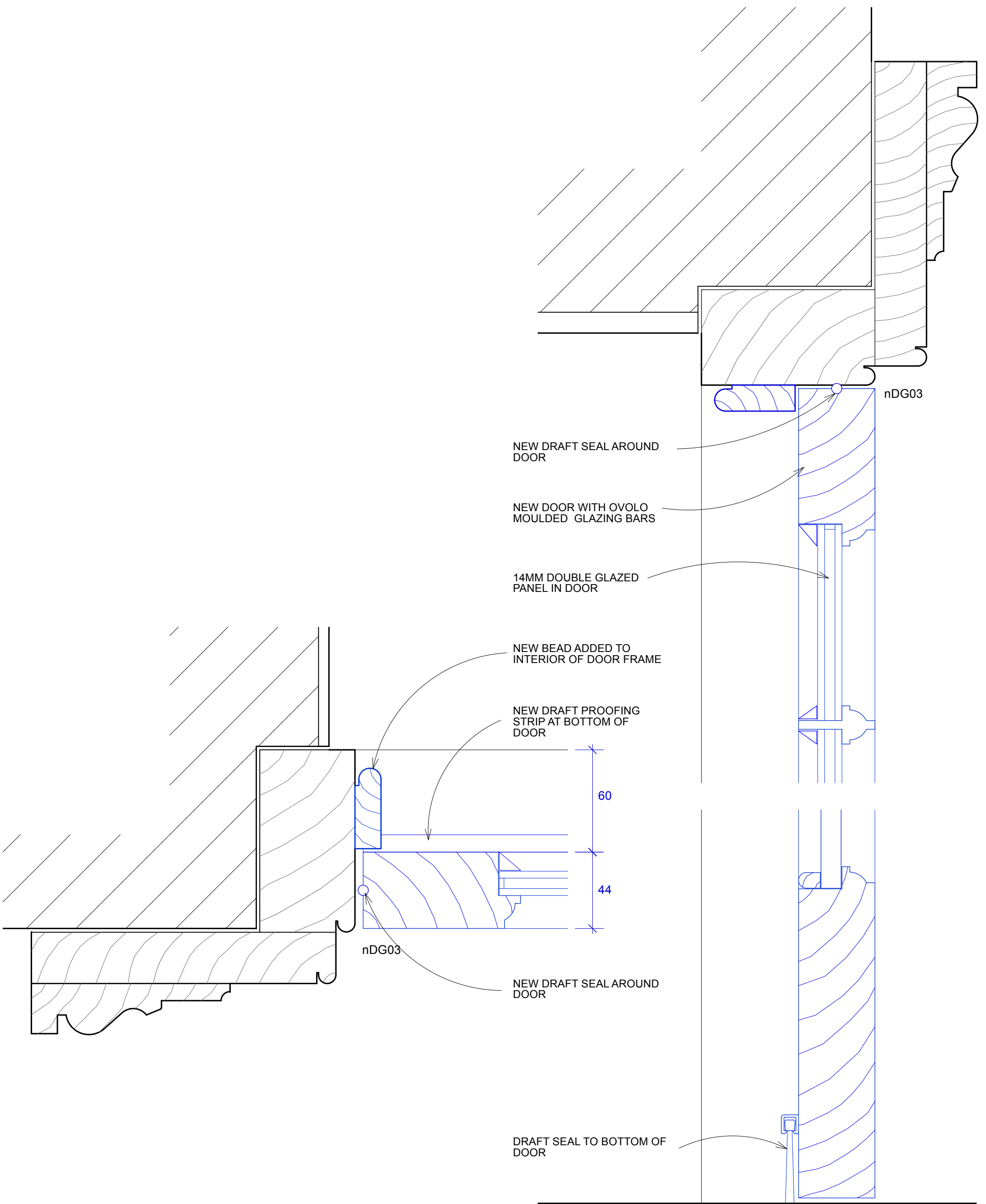
**PROPOSED DOOR nDG03 PLAN SECTION AND ELEVATION**

0 200mm 1m Scale 1:10

**Butler Hegarty Architects**  
 Unit 3.3, Islington Studios, 159-163 Marlborough Road, London, N19 4NF  
 tel: 020 72638933 email: mail@butlerhegartyarchitects.co.uk

**DO NOT SCALE**

**16 St. Peters Road**  
 Title: Proposed Door nDG03 Plan Section & Elevation  
 Drawing No: 0122823-Sk87 Scale 1:10 @ A3



PLAN DETAIL A @ 1:2

SECTION DETAIL B @ 1:2

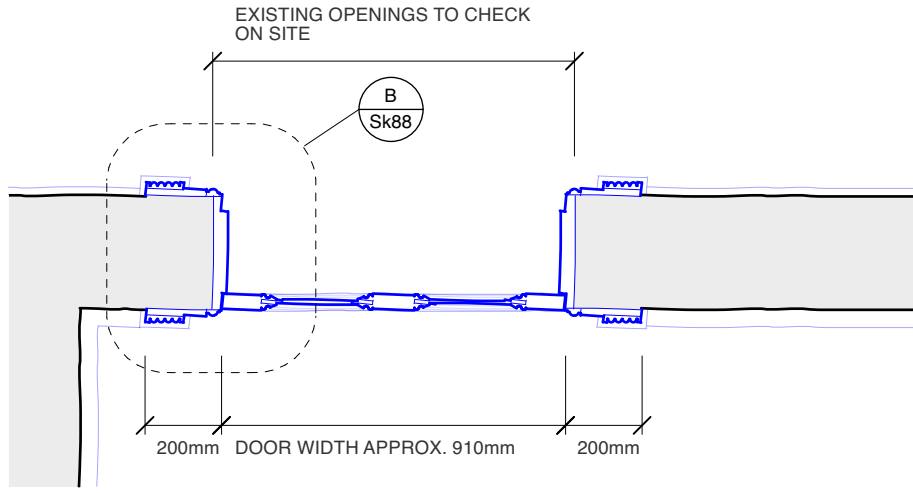
**PROPOSED DOOR nDG03 PLAN AND SECTION DETAIL**

0 40mm 200mm Scale 1:2

**Butler Hegarty Architects**  
 Unit 3.3, Islington Studios, 159-163 Marlborough Road, London, N19 4NF  
 tel: 020 72638933 email: mail@butlerhegartyarchitects.co.uk

**DO NOT SCALE**

**16 St. Peters Road**  
 Title: Proposed Door nDG03 Plan and Section Detail  
 Drawing No: 0122823-Sk88 Scale 1:2 @ A3



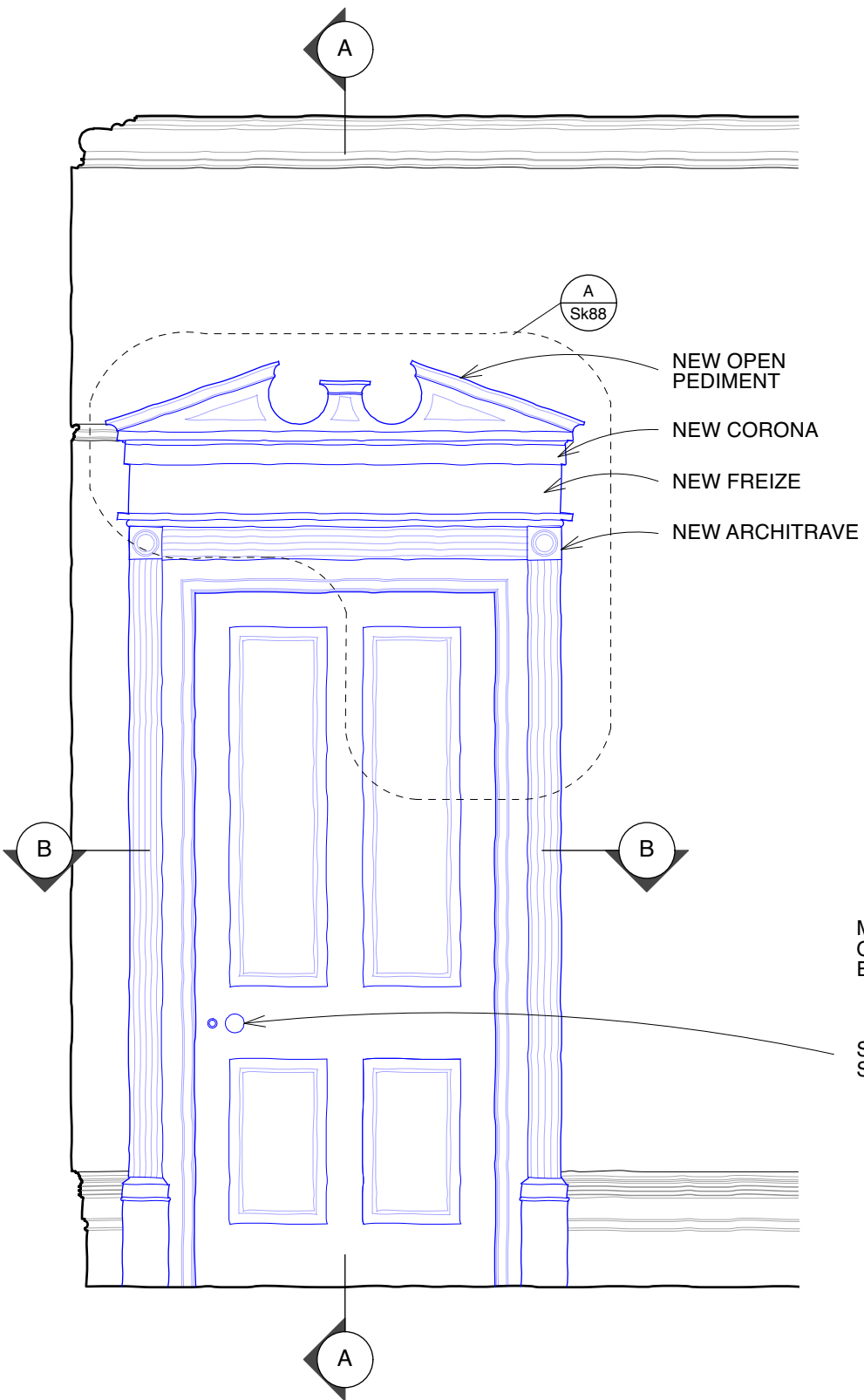
PLAN SECTION B-B @ 1:20



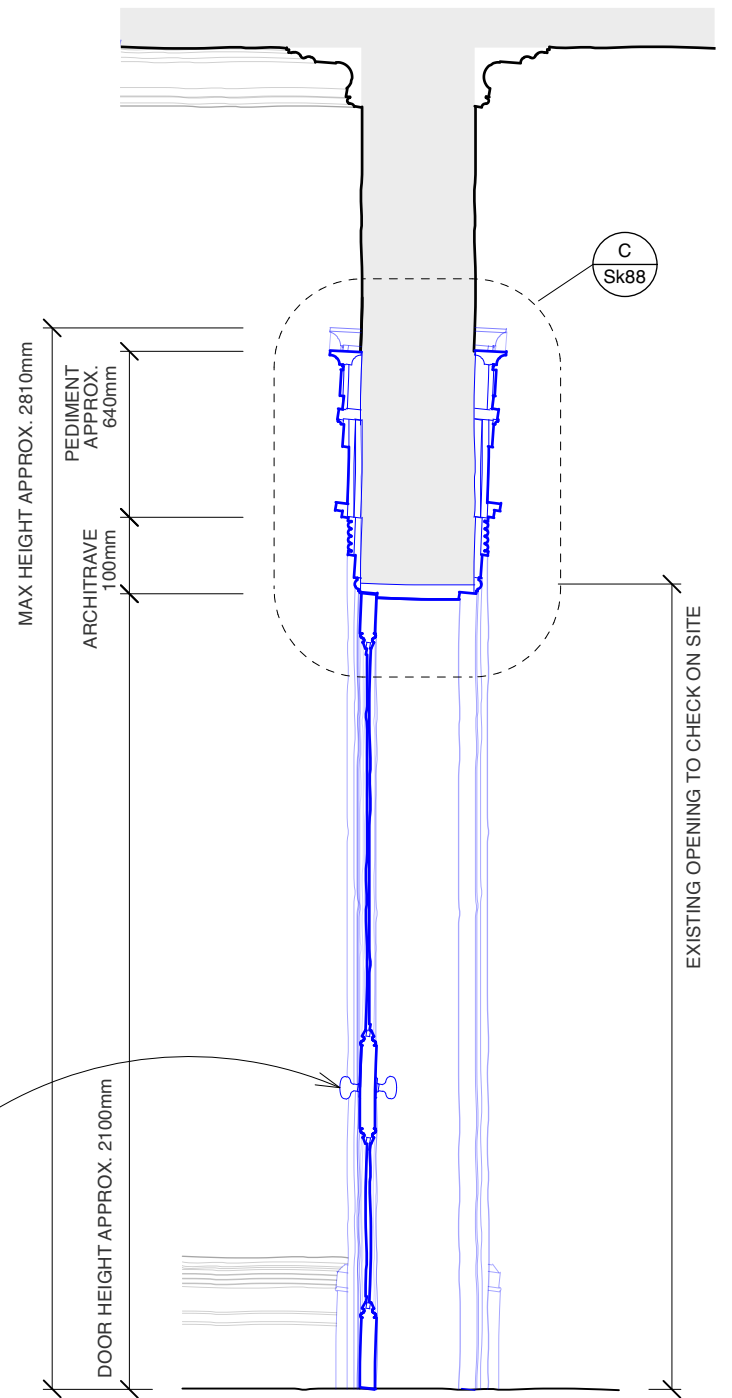
PROPOSED DOOR nG04

EXISTING DOOR DG14

FULL ELEVATION @ 1:50



ELEVATION @ 1:20



SECTION A-A @ 1:20

**PROPOSED DOOR nDG04 PLAN SECTION AND ELEVATION**

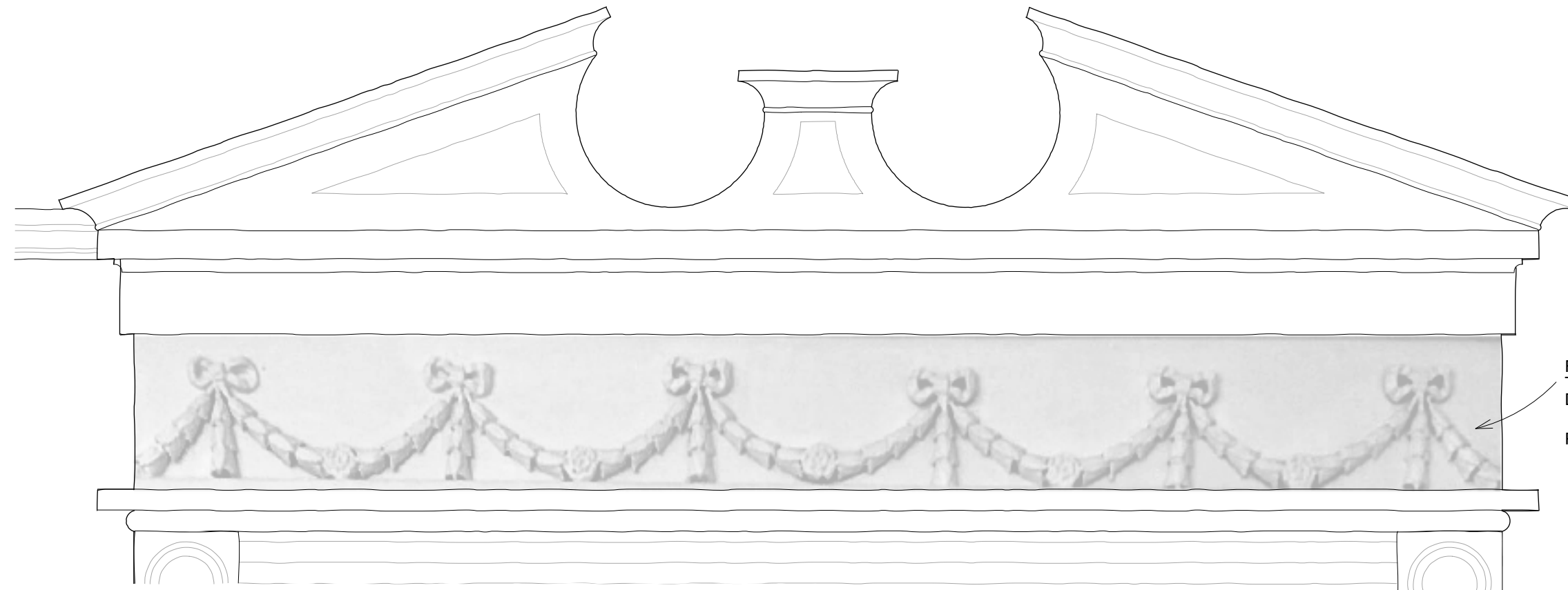
FOR DETAIL DRAWINGS SEE Sk121

0 400mm 2m Scale 1:20

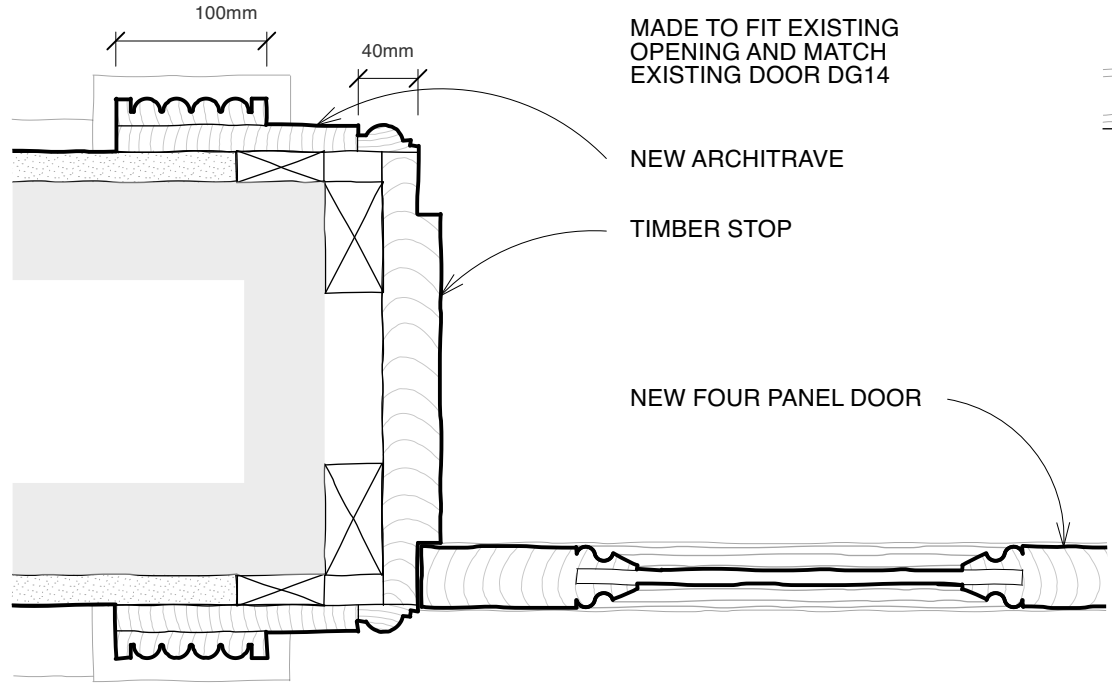
**Butler Hegarty Architects**  
Unit 3.3, Islington Studios, 159-163 Marlborough Road, London, N19 4NF  
tel: 020 72638933 email: mail@butlerhegartyarchitects.co.uk

**DO NOT SCALE**

**16 St. Peters Road**  
Title: Proposed Door nDG04 Plan Section & Elevation  
Drawing No: 0122823-Sk133 Scale 1:20 @ A3



DETAIL A, 1:5



MADE TO FIT EXISTING  
OPENING AND MATCH  
EXISTING DOOR DG14

NEW ARCHITRAVE

TIMBER STOP

NEW FOUR PANEL DOOR

DETAIL B, 1:5

**PROPOSED DOOR nDG04 DETAILS**



**Butler Hegarty Architects**  
Unit 3.3, Islington Studios, 159-163 Marlborough Road, London, N19 4NF  
tel: 020 72638933 email: mail@butlerhegartyarchitects.co.uk

**DO NOT SCALE**

**16 St. Peters Road**  
Title: Proposed Door nDG04 Details  
Drawing No: 0122823-Sk134

Scale 1:5 @ A3

FRIEZE DETAIL  
TO MATCH  
DOOR DG14

PLASTER

40mm

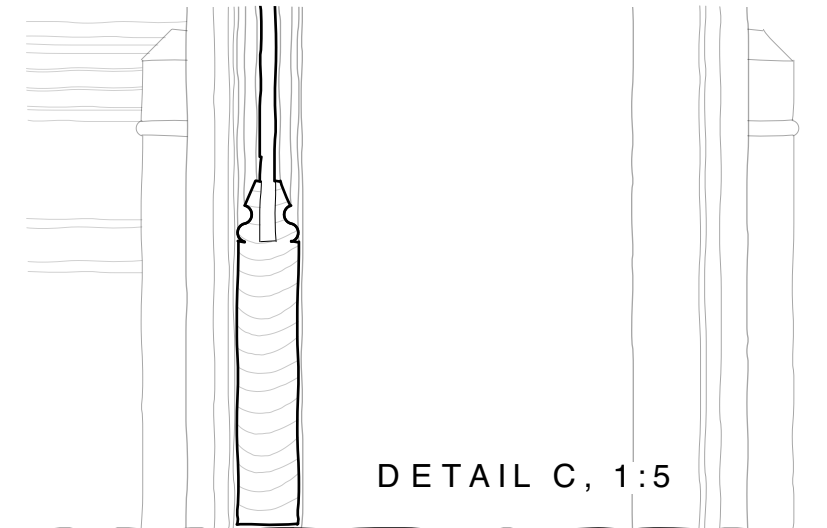
100mm

40mm

TIMBER  
PACKING

TIMBER STOP

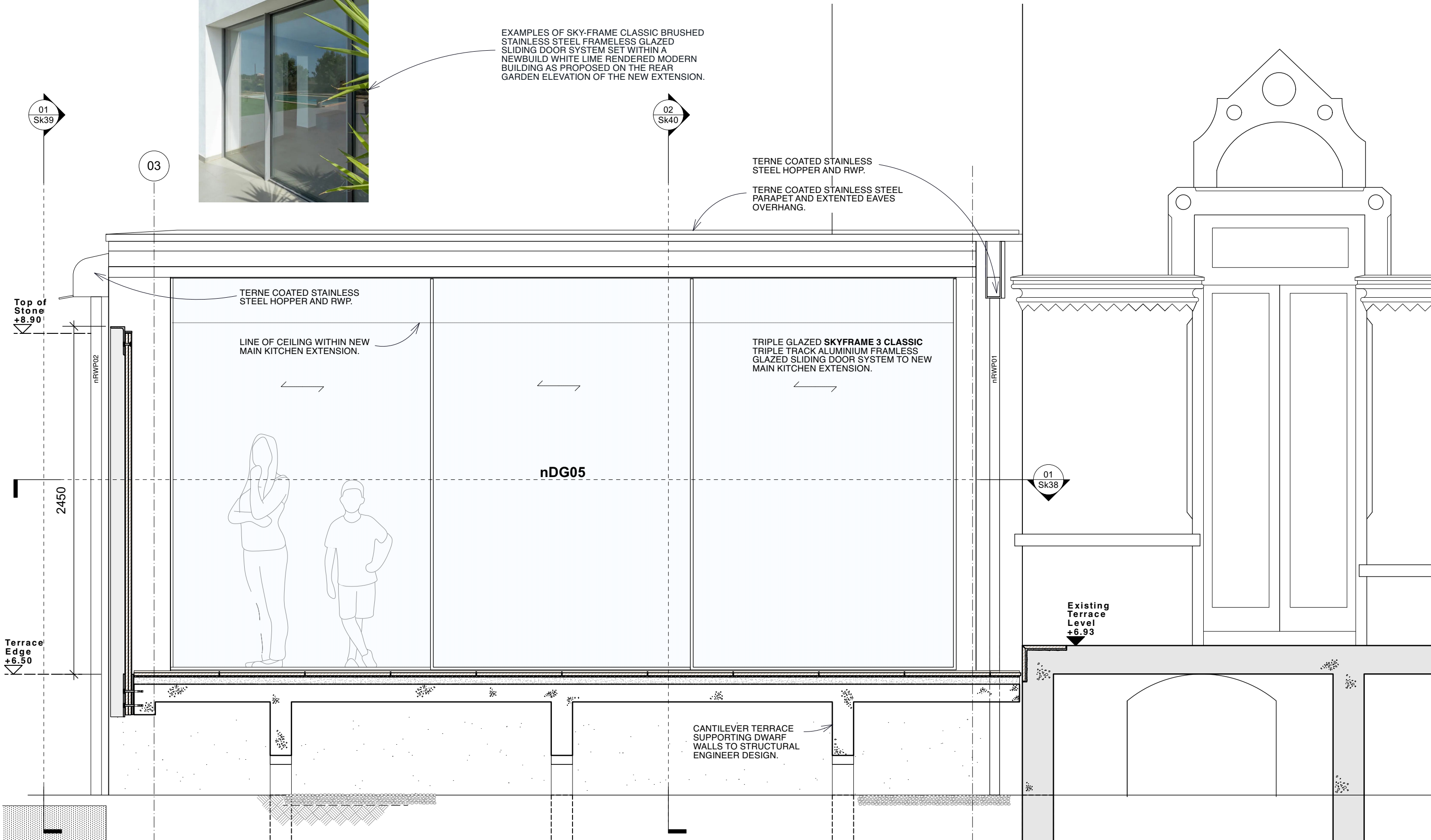
NEW FOUR PANEL  
TIMBER DOOR



DETAIL C, 1:5



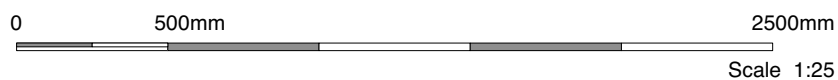
EXAMPLES OF SKY-FRAME CLASSIC BRUSHED STAINLESS STEEL FRAMELESS GLAZED SLIDING DOOR SYSTEM SET WITHIN A NEWBUILD WHITE LIME RENDERED MODERN BUILDING AS PROPOSED ON THE REAR GARDEN ELEVATION OF THE NEW EXTENSION.



**01. MAIN KITCHEN EXTENSION NORTH EAST ELEVATION**  
(Scale 1:25)

To be read in conjunction with BHA Drawings Sk38, Sk39 and Sk40

**Butler Hegarty Architects**  
Unit 3.3, Islington Studios, 159-163 Marlborough Road, London, N19 4NF  
tel: 020 72638933 email: mail@butlerhegartyarchitects.co.uk



**DO NOT SCALE**

**16 St. Peters Road**  
Title: Main Kitchen Extension North East Elevation  
Drawing No: 0122823-Sk30 Scale 1:25 @ A3



TERNE COATED STEEL PARAPET COPPING ON 10mm MULTIBOARD FIXED WITH S/S TOP HAT PROFILES TO SECONDARY STEEL PARAPET FRAME.

SECONDARY STEEL SUPPORT POST AND TOP PFC PARAPET SUPPORT (DRAWN IN RED) FIXED TO .

100x50mm TANALISED S/W TIMBER PARAPET FRAMING

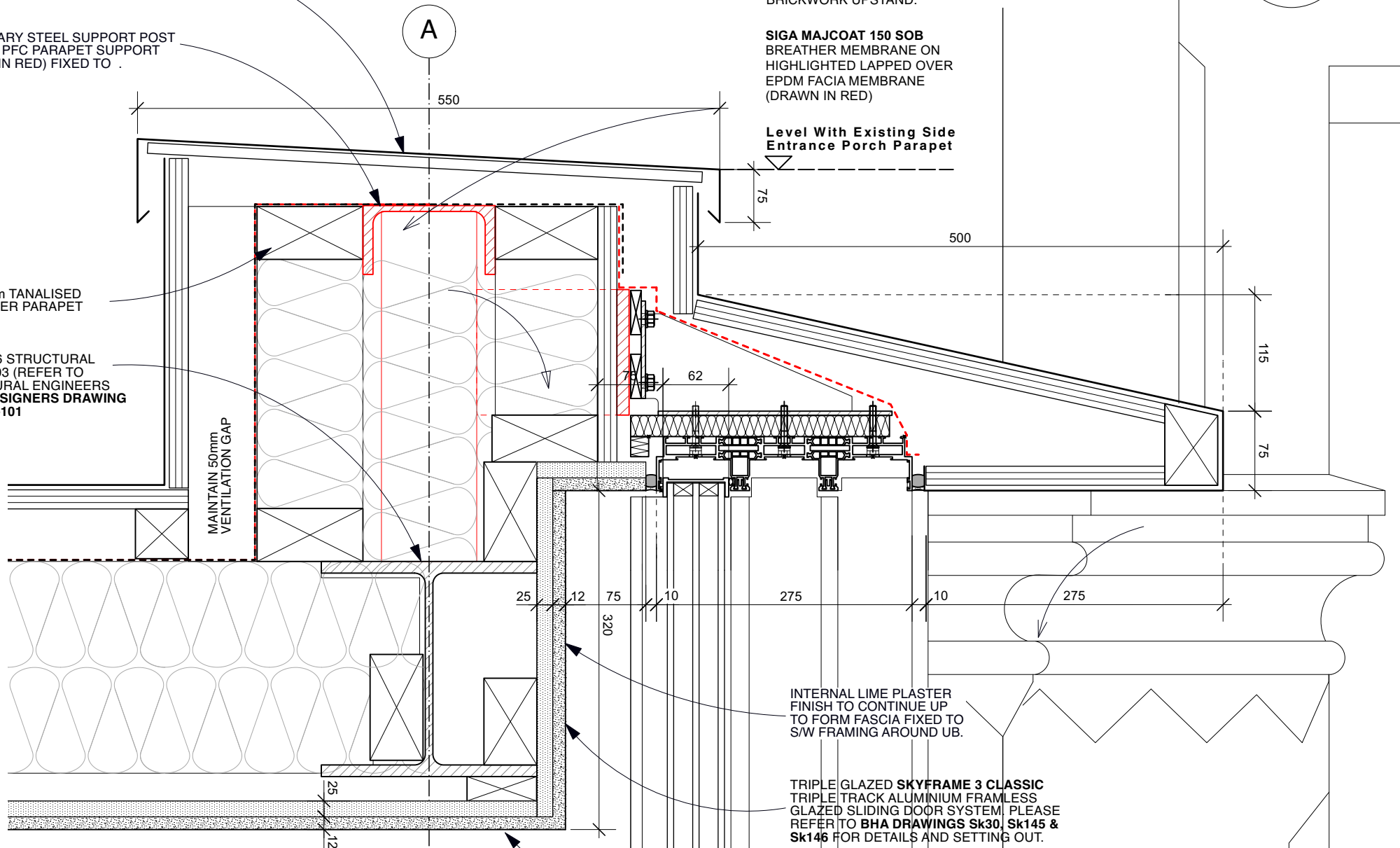
UC203x46 STRUCTURAL BEAM B-03 (REFER TO STRUCTURAL ENGINEERS ELITE DESIGNERS DRAWING 2023-166-101

MAINTAIN 50mm VENTILATION GAP

TERNE COATED STEEL PARAPET COPPING ON 18MM WBP PLYWOOD SUBSTRATE ON 10mm MULTIBOARD FIXED WITH S/S TOP HAT PROFILES ON BRICKWORK UPSTAND.

SIGA MAJCOAT 150 SOB BREATHER MEMBRANE ON HIGHLIGHTED LAPPED OVER EPDM FACIA MEMBRANE (DRAWN IN RED)

Level With Existing Side Entrance Porch Parapet



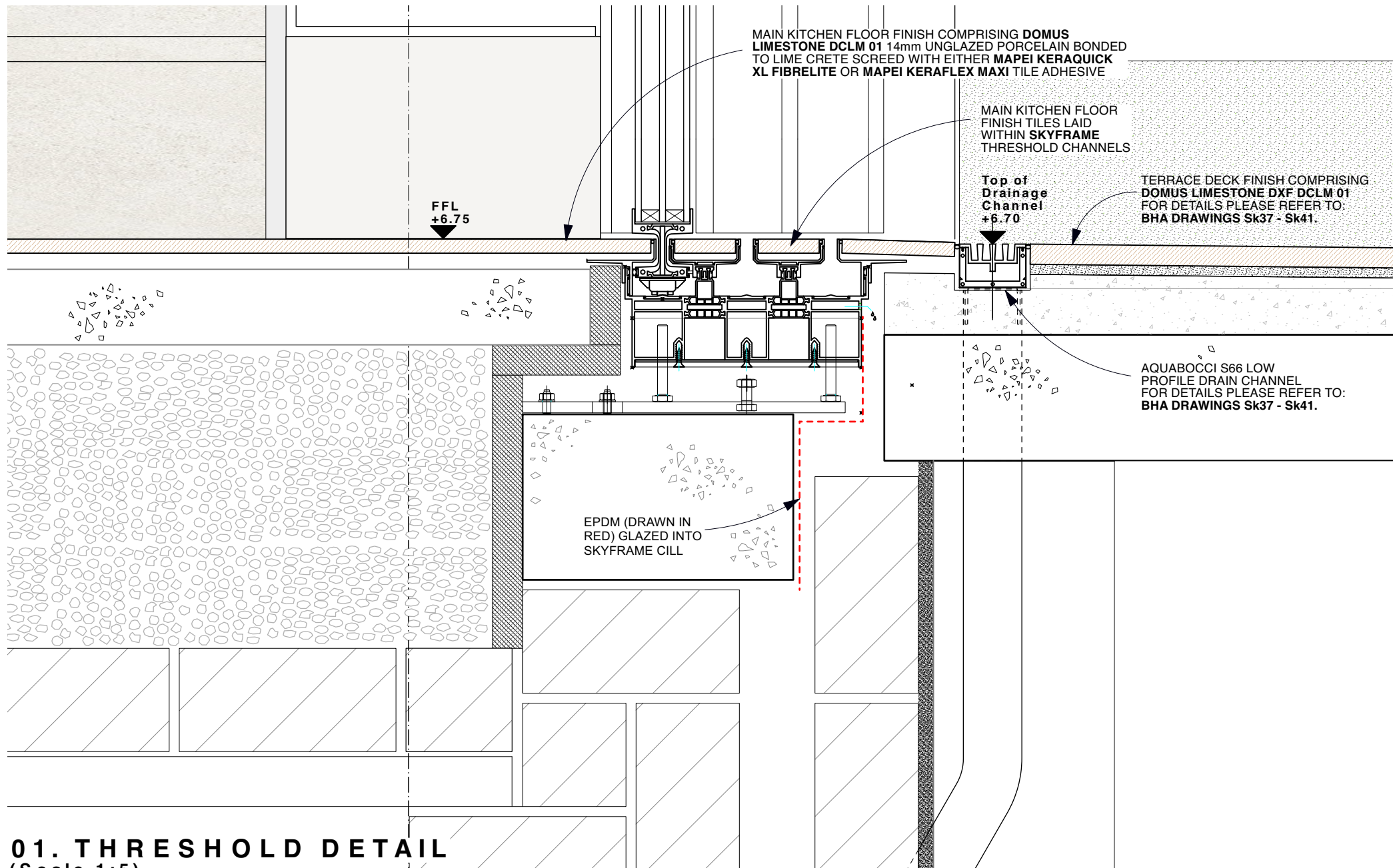
INTERNAL LIME PLASTER FINISH TO CONTINUE UP TO FORM FASCIA FIXED TO S/W FRAMING AROUND UB.

TRIPLE GLAZED SKYFRAME 3 CLASSIC TRIPLE TRACK ALUMINIUM FRAMLESS GLAZED SLIDING DOOR SYSTEM, PLEASE REFER TO BHA DRAWINGS Sk30, Sk145 & Sk146 FOR DETAILS AND SETTING OUT.

CEILING COMPRISING 15mm SAVOLIT PLUS WOOD WOOL BOARD INTERNAL LIME PLASTER FINISH COMPRISING:

- 3mm ISOVIT LIME (COAT APPLIED WITH A 10mm NOTCHED TROWEL)
- 4mm GLASS FIBRE MESH.
- 3mm ISOVIT LIME (TO COVER MESH GIVING A TOTAL BACKING COAT THICKNESS OF 6mm.)
- 2mm REABILITA CAL AC FINO (APPLIED IN TWO PASSES)

## 02. HEAD & EAVES DETAIL (Scale 1:5)



MAIN KITCHEN FLOOR FINISH COMPRISING DOMUS LIMESTONE DCLM 01 14mm UNGLAZED PORCELAIN BONDED TO LIME CRETE SCREED WITH EITHER MAPEI KERAQUICK XL FIBRELITE OR MAPEI KERAFLEX MAXI TILE ADHESIVE

MAIN KITCHEN FLOOR FINISH TILES LAID WITHIN SKYFRAME THRESHOLD CHANNELS

Top of Drainage Channel +6.70

TERRACE DECK FINISH COMPRISING DOMUS LIMESTONE DXF DCLM 01 FOR DETAILS PLEASE REFER TO: BHA DRAWINGS Sk37 - Sk41.

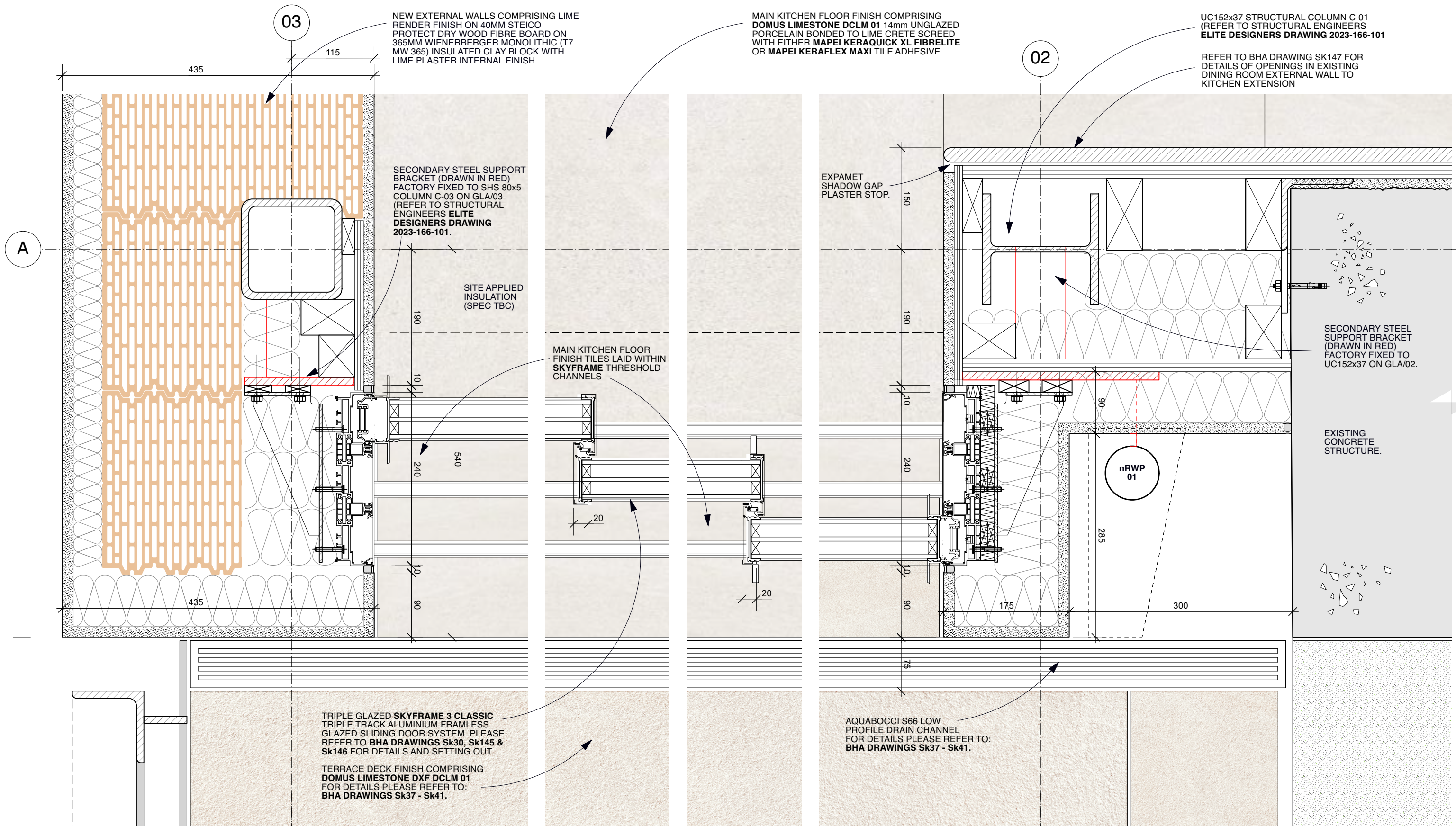
AQUABOCCI S66 LOW PROFILE DRAIN CHANNEL FOR DETAILS PLEASE REFER TO: BHA DRAWINGS Sk37 - Sk41.

EPDM (DRAWN IN RED) GLAZED INTO SKYFRAME CILL

## 01. THRESHOLD DETAIL (Scale 1:5)

0 100mm 500mm  
Scale 1:5





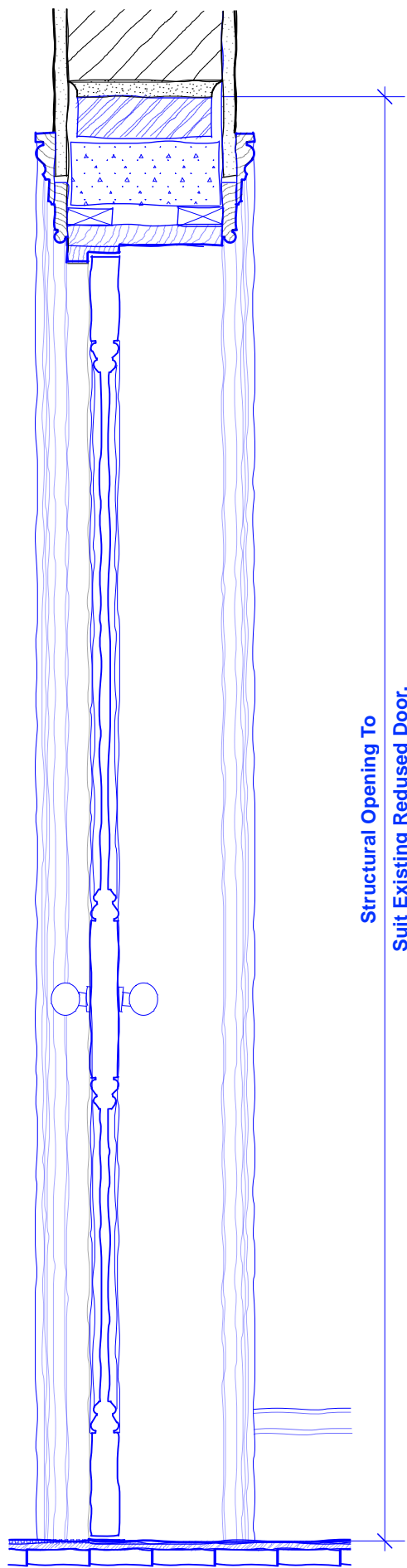
**01. JAMB DETAIL AT GRIDLINE A/03**  
(Scale 1:5)

**02. JAMB DETAIL AT GRIDLINE A/02**  
(Scale 1:5)

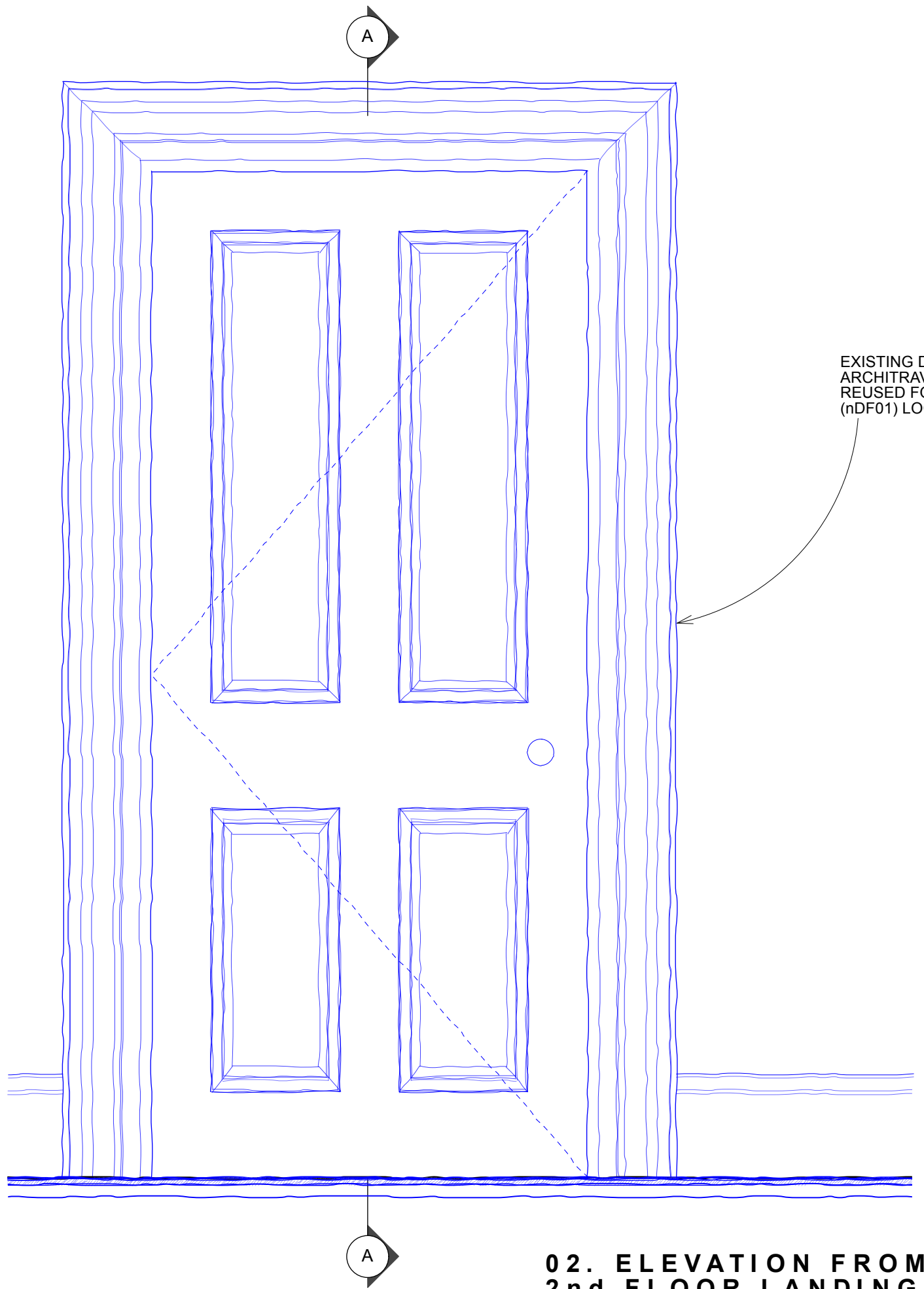


**DO NOT SCALE**

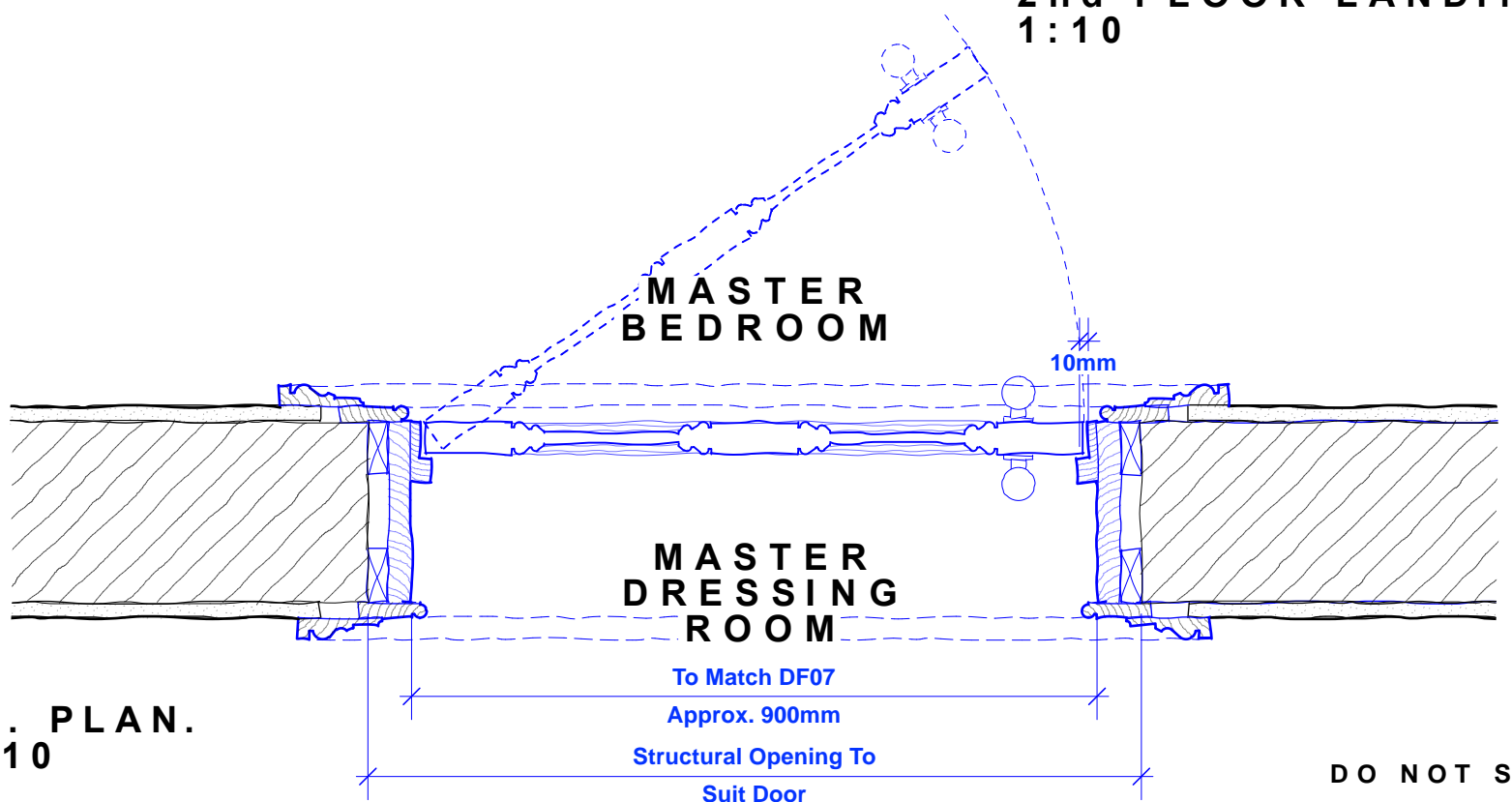




03. SECTION A-A.  
1:10



02. ELEVATION FROM  
2nd FLOOR LANDING.  
1:10



FOR MOULDING 1:5  
DETAILS SEE DRAWING  
Sk131.

01. PLAN.  
1:10

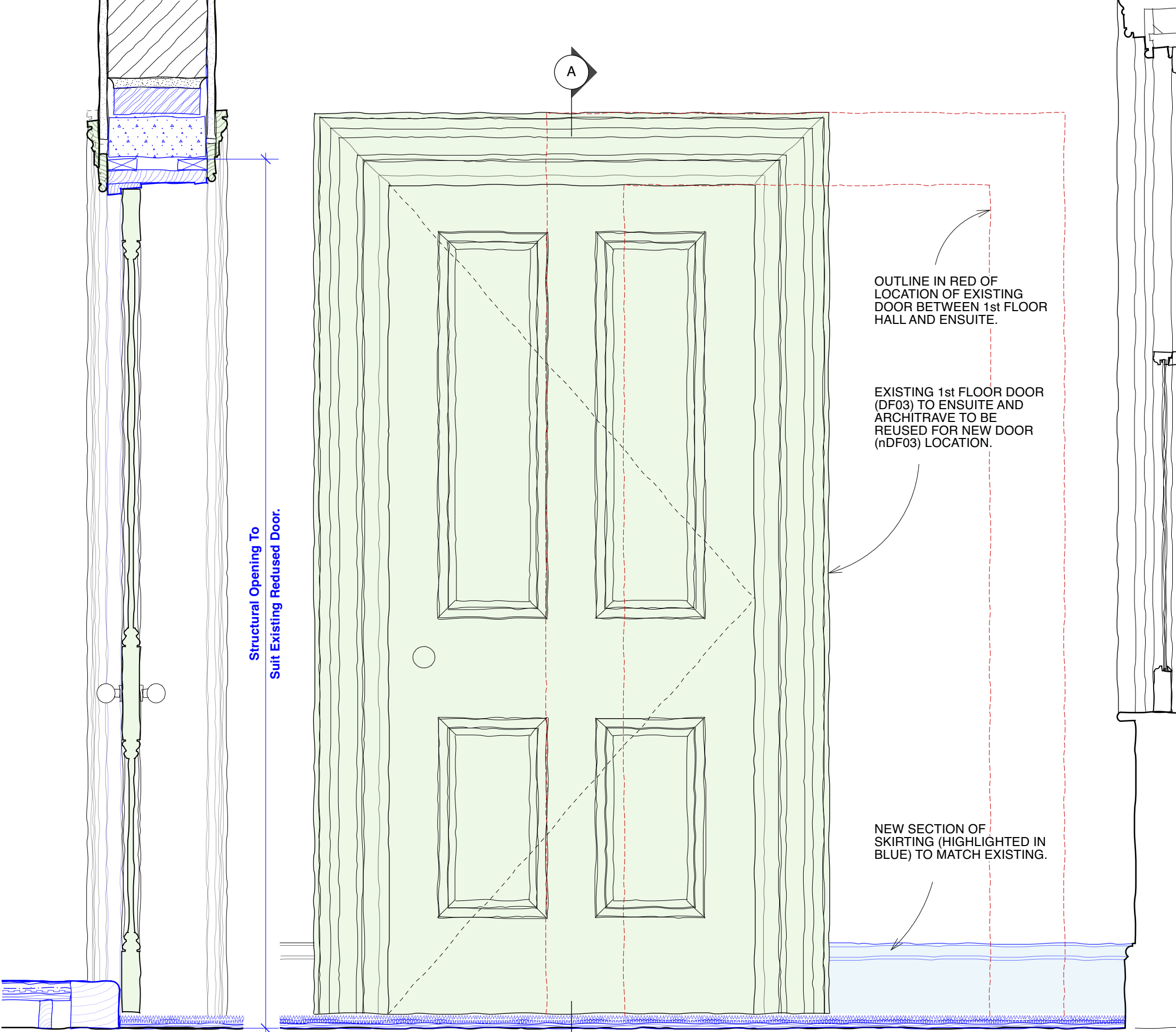
DO NOT SCALE

PROPOSED DOOR nDF01 DETAILS



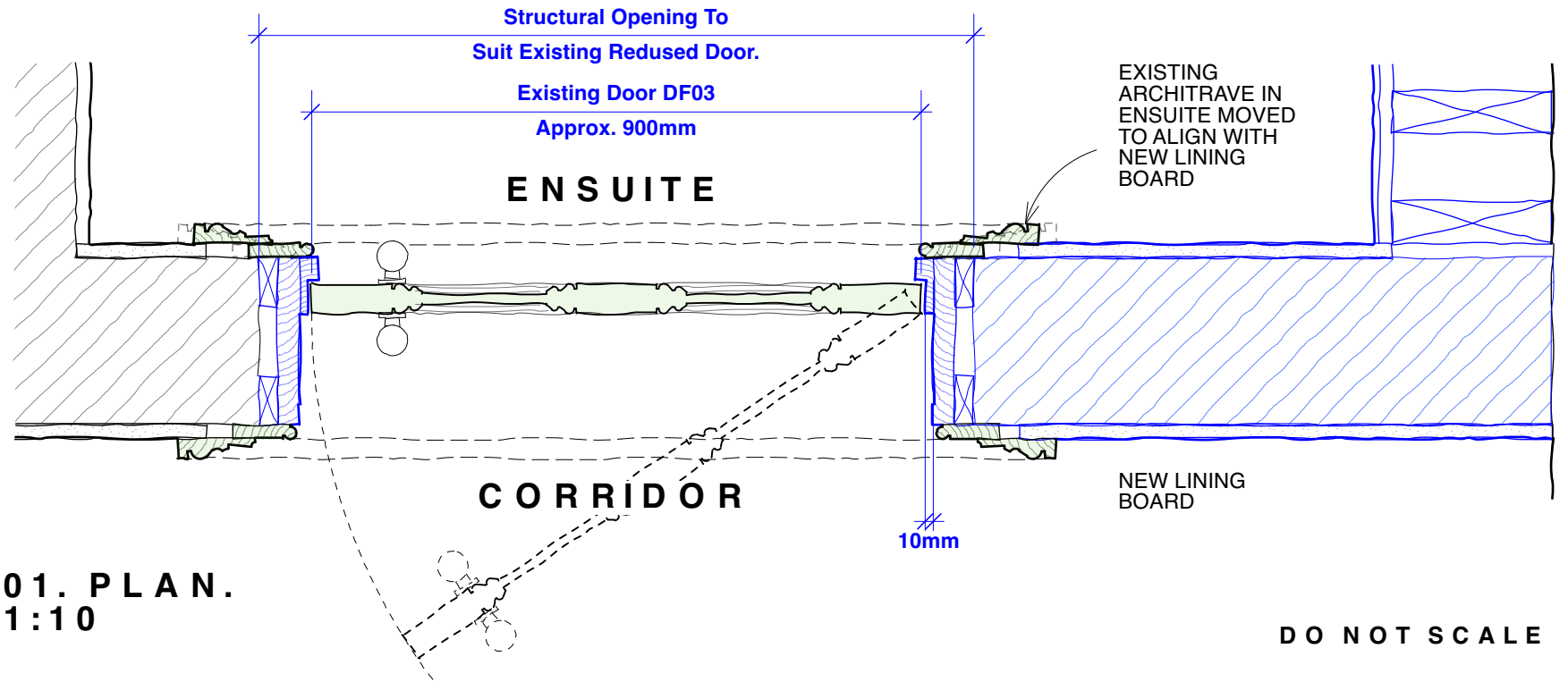
Scale 1:10





**03. SECTION A-A.**  
1:10

**02. ELEVATION FROM 2nd FLOOR LANDING.**  
1:10



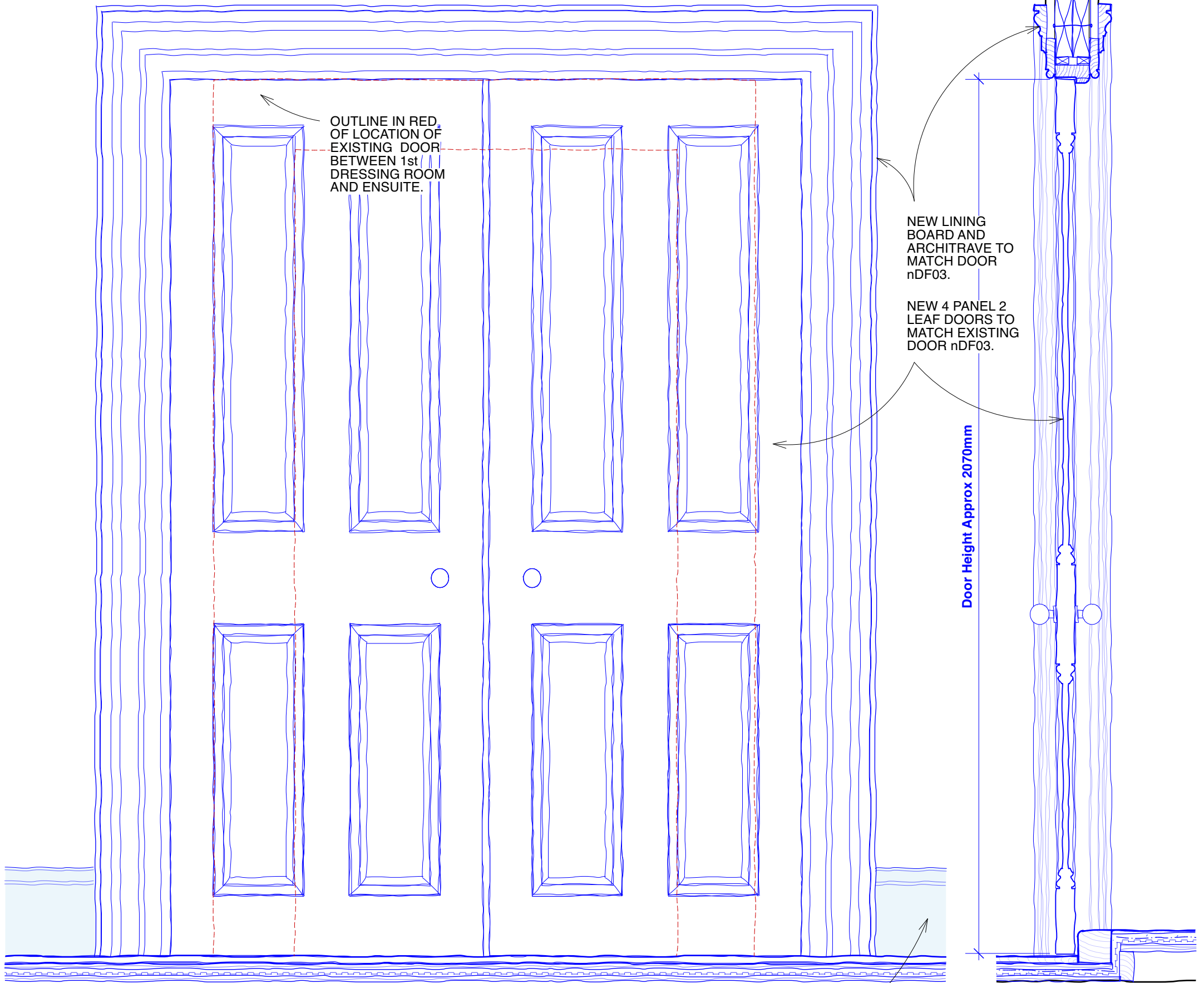
**01. PLAN.**  
1:10

**DO NOT SCALE**

FOR MOULDING 1:5  
DETAILS SEE DRAWING  
Sk131.  
FOR STRUCTURAL  
OPENING DRAWING SEE  
Sk143

**PROPOSED DOOR nDF03 DETAILS**

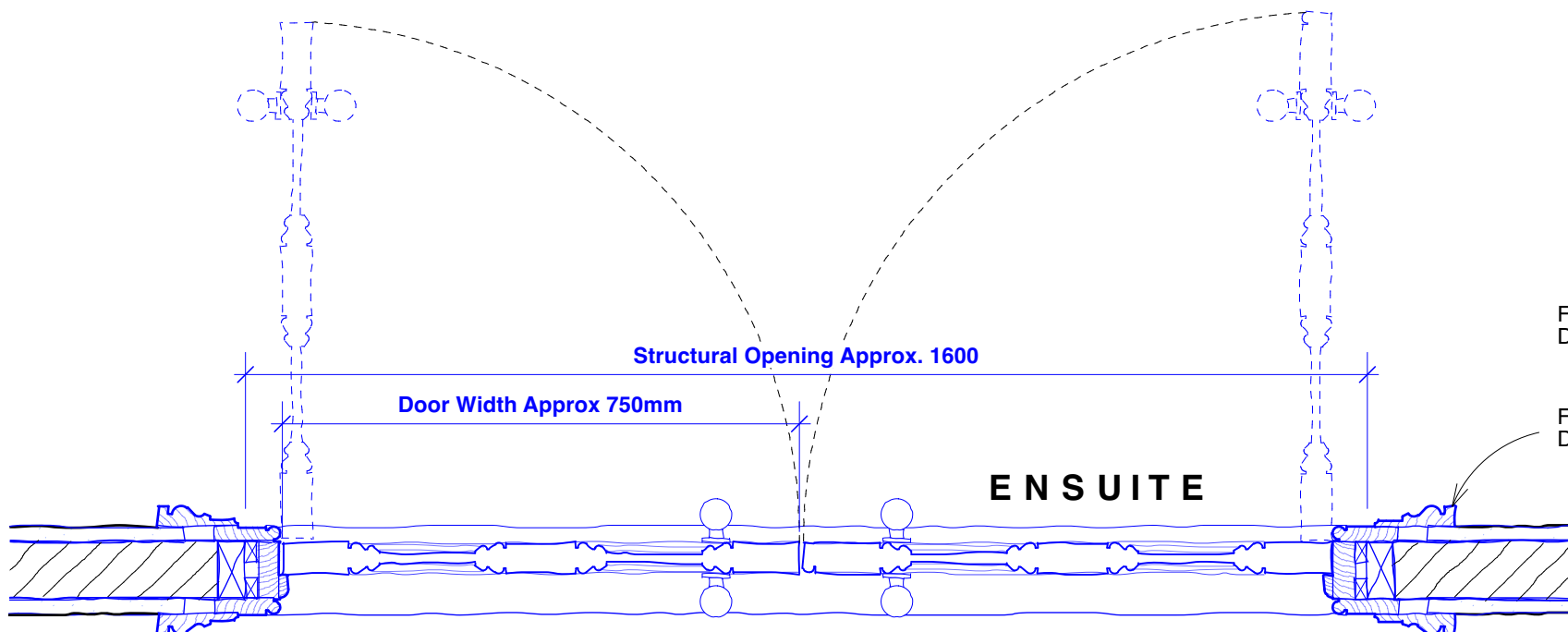




**02. ELEVATION FROM  
2nd FLOOR DRESSING ROOM  
1:10**

NEW SECTION OF  
SKIRTING (HIGHLIGHTED IN  
BLUE) TO MATCH EXISTING.

**03. SECTION A-A.  
1:10**



**01. PLAN. 1:10**

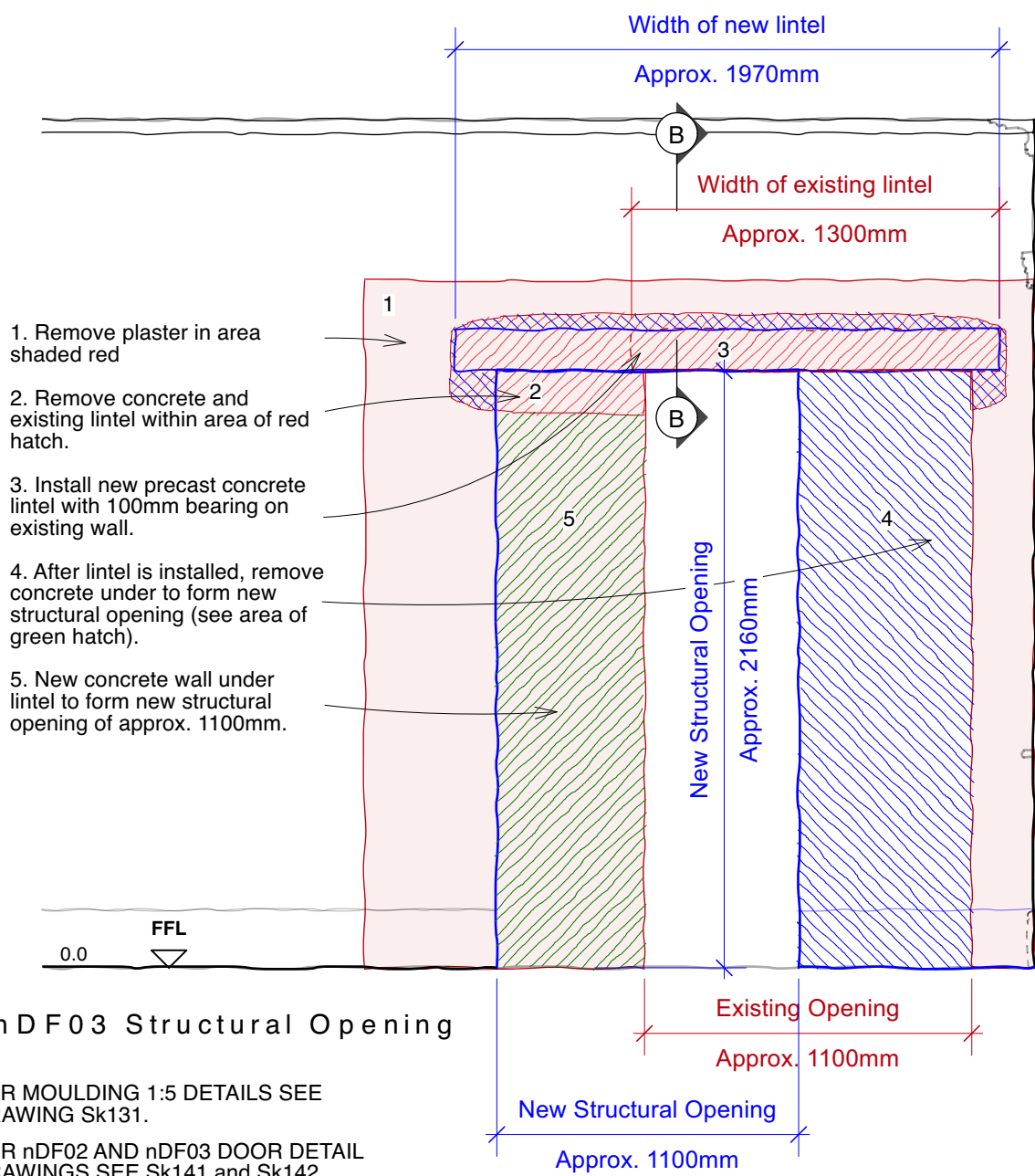
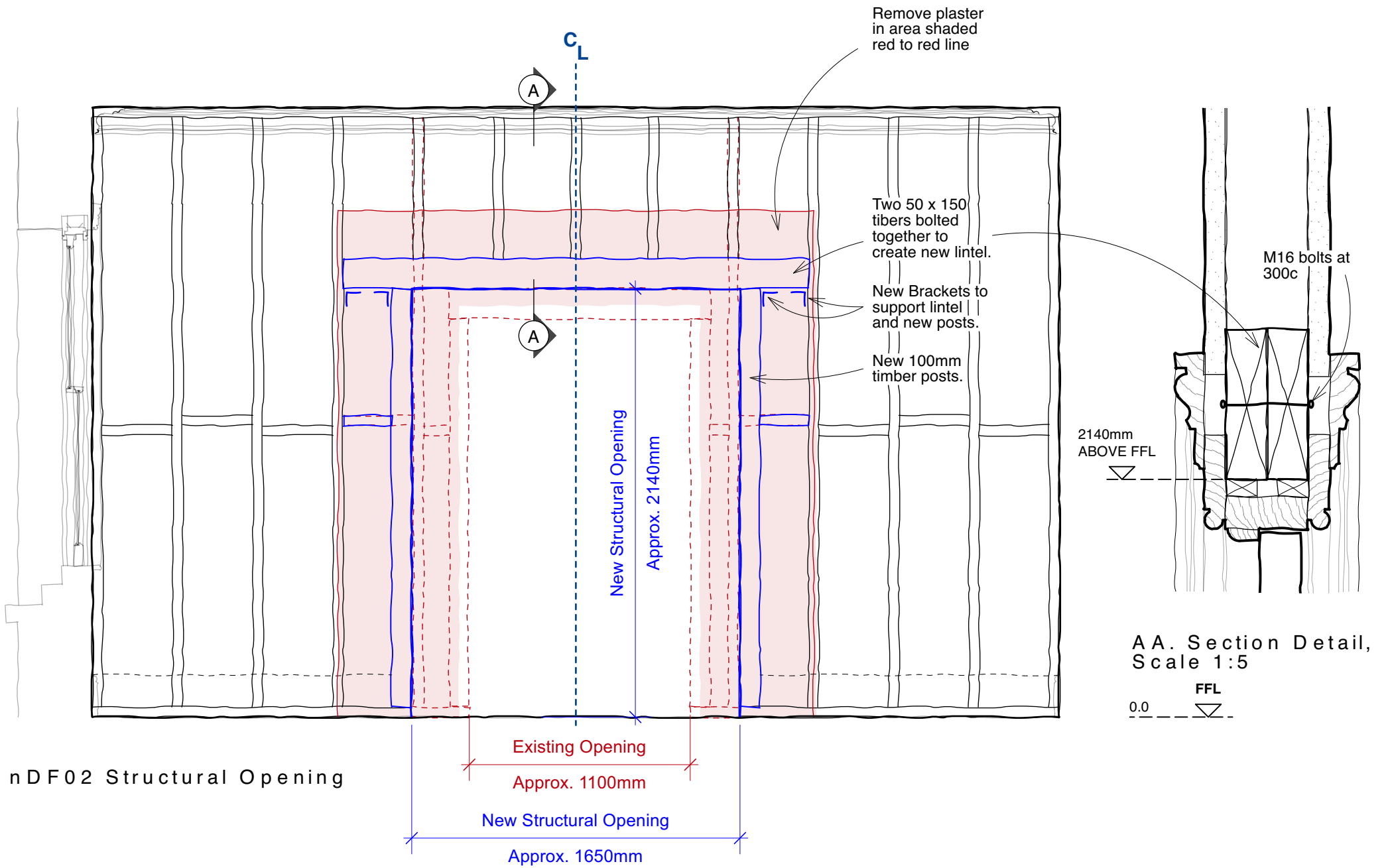
FOR STRUCTURAL OPENING  
DRAWING SEE Sk143

FOR MOULDING 1:5 DETAILS SEE  
DRAWING Sk131.

**DO NOT SCALE**

**PROPOSED DOOR nDF02 DETAILS**





FOR MOULDING 1:5 DETAILS SEE DRAWING Sk131.

FOR nDF02 AND nDF03 DOOR DETAIL DRAWINGS SEE Sk141 and Sk142

## nDF02 AND nDF03 STRUCTURAL OPENINGS

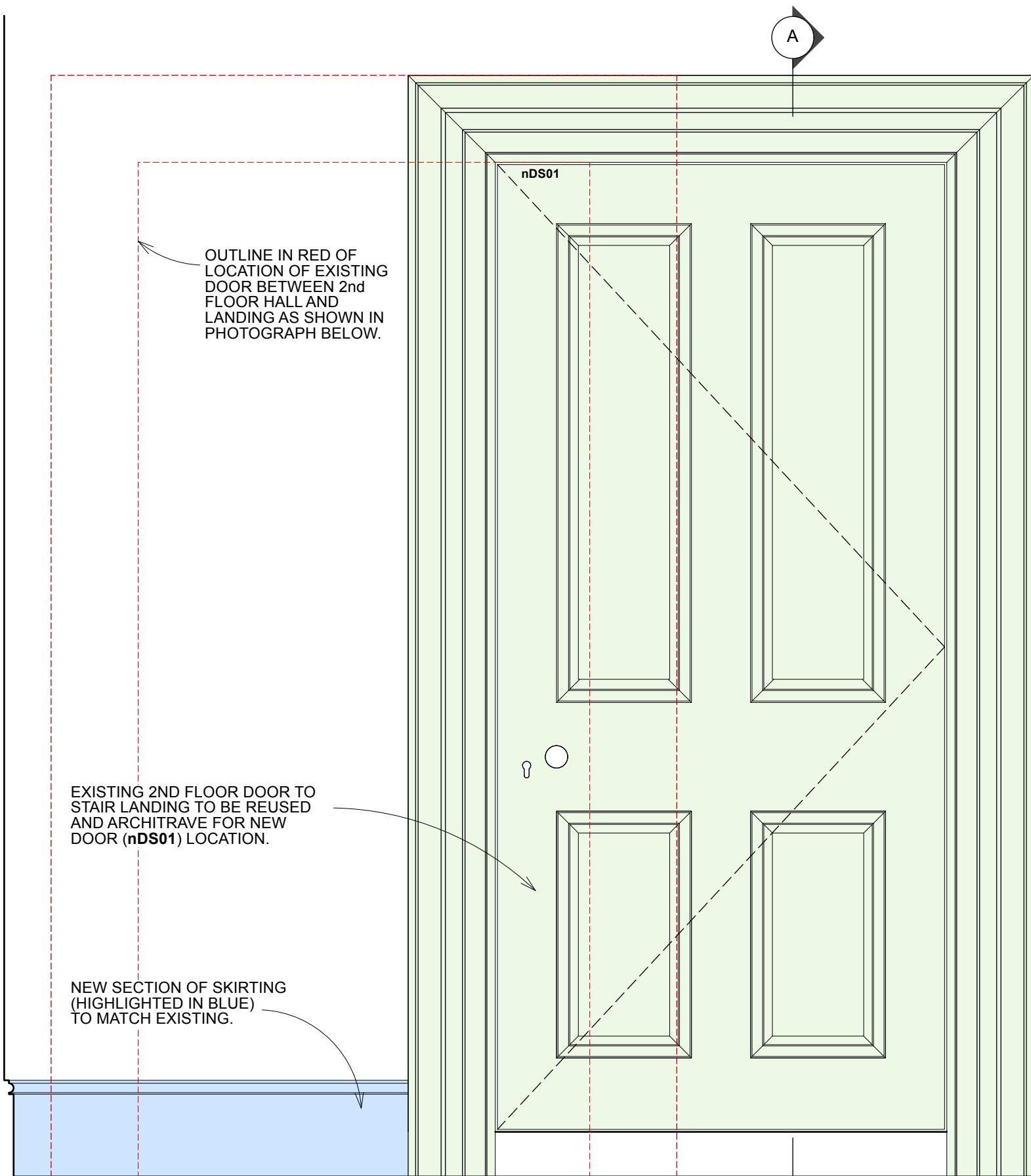
**Butler Hegarty Architects**  
Unit 3.3, Islington Studios, 159-163 Marlborough Road, London, N19 4NF  
tel: 020 72638933 email: mail@butlerhegartyarchitects.co.uk

**16 St. Peters Road**  
Title: nDF02 and nDF03 Structural Openings  
Drawing No: 0122823-Sk143 Scale 1:25 @ A3

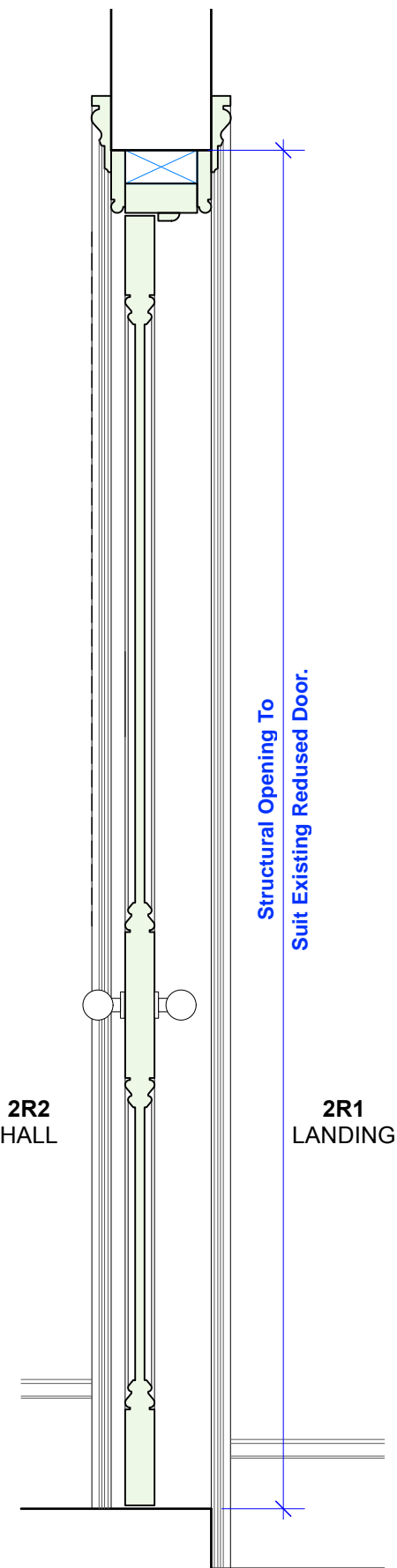
DO NOT SCALE

0 500mm 2.5m Scale 1:25





**02. ELEVATION FROM 2nd FLOOR LANDING.**  
1:10



**03. SECTION A-A.**  
1:10

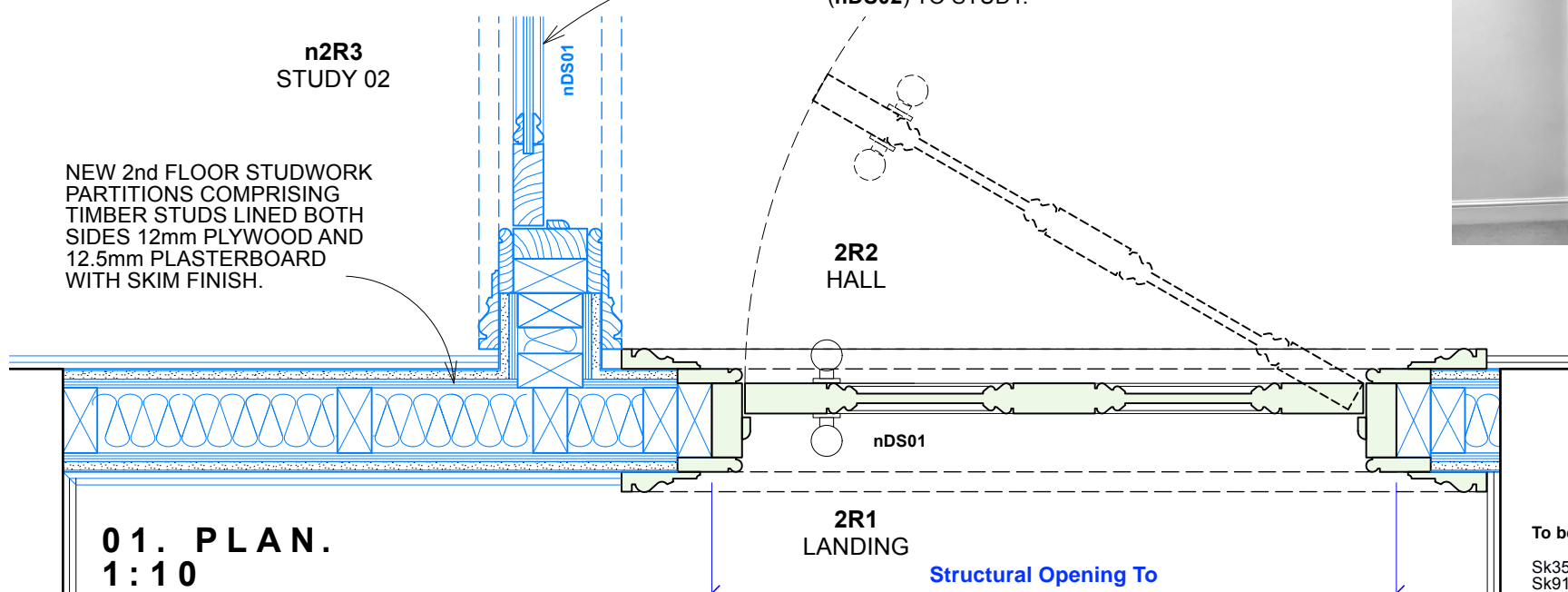
EXISTING VIEW FROM 2nd FLOOR HALL OF DOOR AND ARCHITRAVE (HIGHLIGHTED IN GREEN) TO STAIR LANDING TO BE REUSED AND FOR NEW DOOR (nDS01) LOCATION SHOWN ABOVE IN 01. ELEVATION.

REFER TO ARCHITECTS DRAWINGS SK130 & SK132 FOR DETAILS OF NEW DOOR (nDS02) TO STUDY.



n2R3 STUDY 02

NEW 2nd FLOOR STUDWORK PARTITIONS COMPRISING TIMBER STUDS LINED BOTH SIDES 12mm PLYWOOD AND 12.5mm PLASTERBOARD WITH SKIM FINISH.



**01. PLAN.**  
1:10

To be read in conjunction with BHA Drawings:  
Sk35\_Proposed Second Floor Setting Out Plan 1:50  
Sk918\_Location Plans For Proposed New Internal Doors

0 200mm 1m

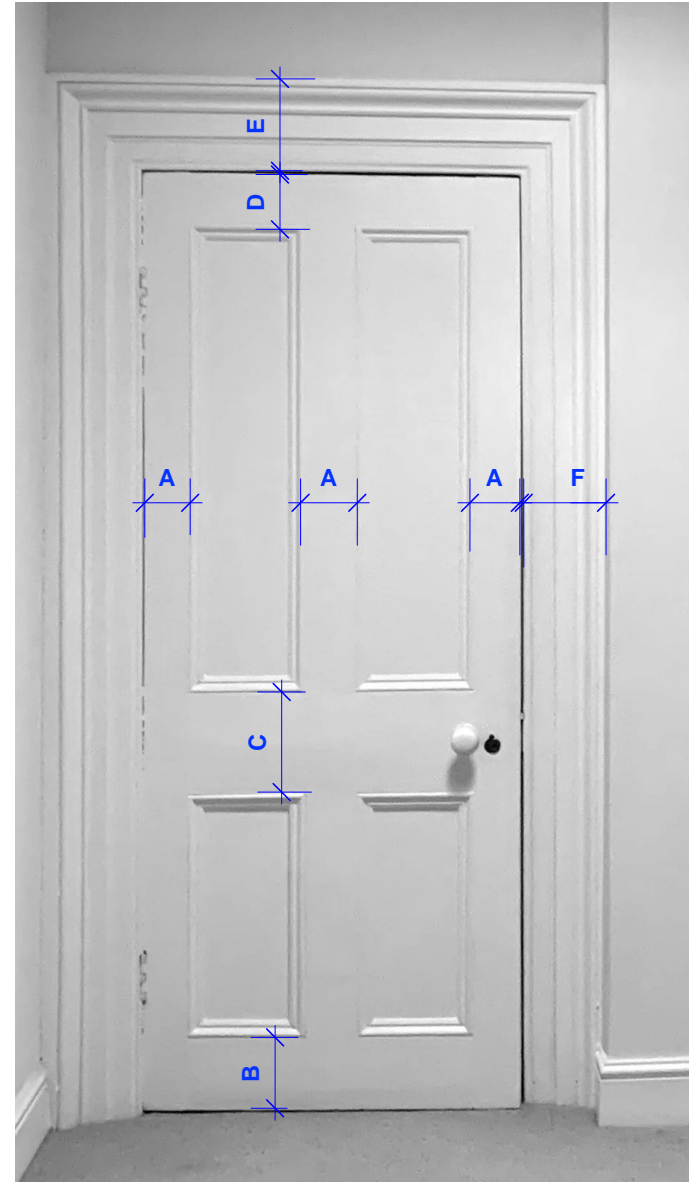
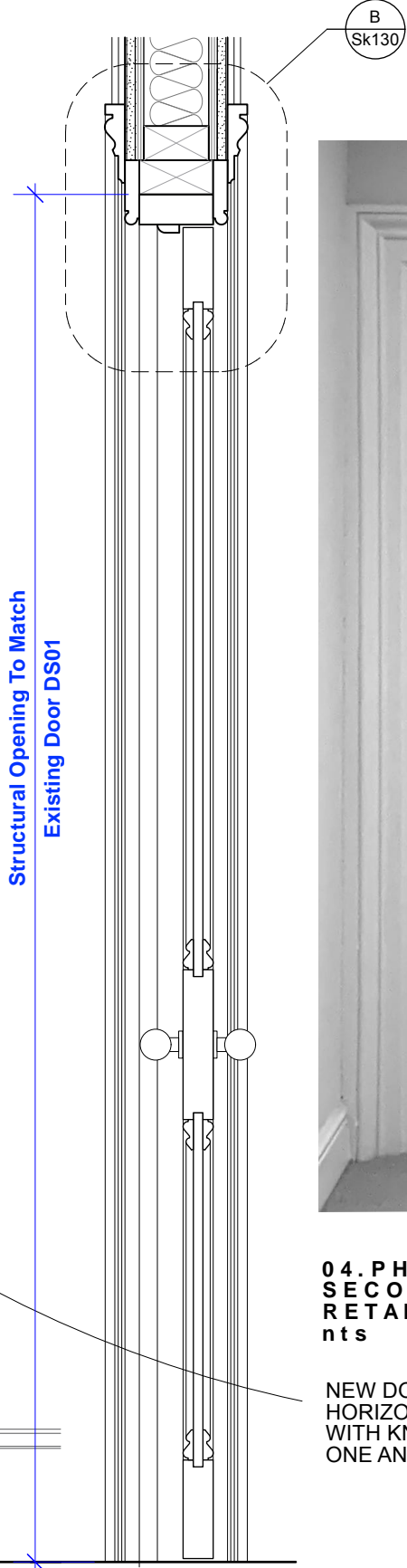
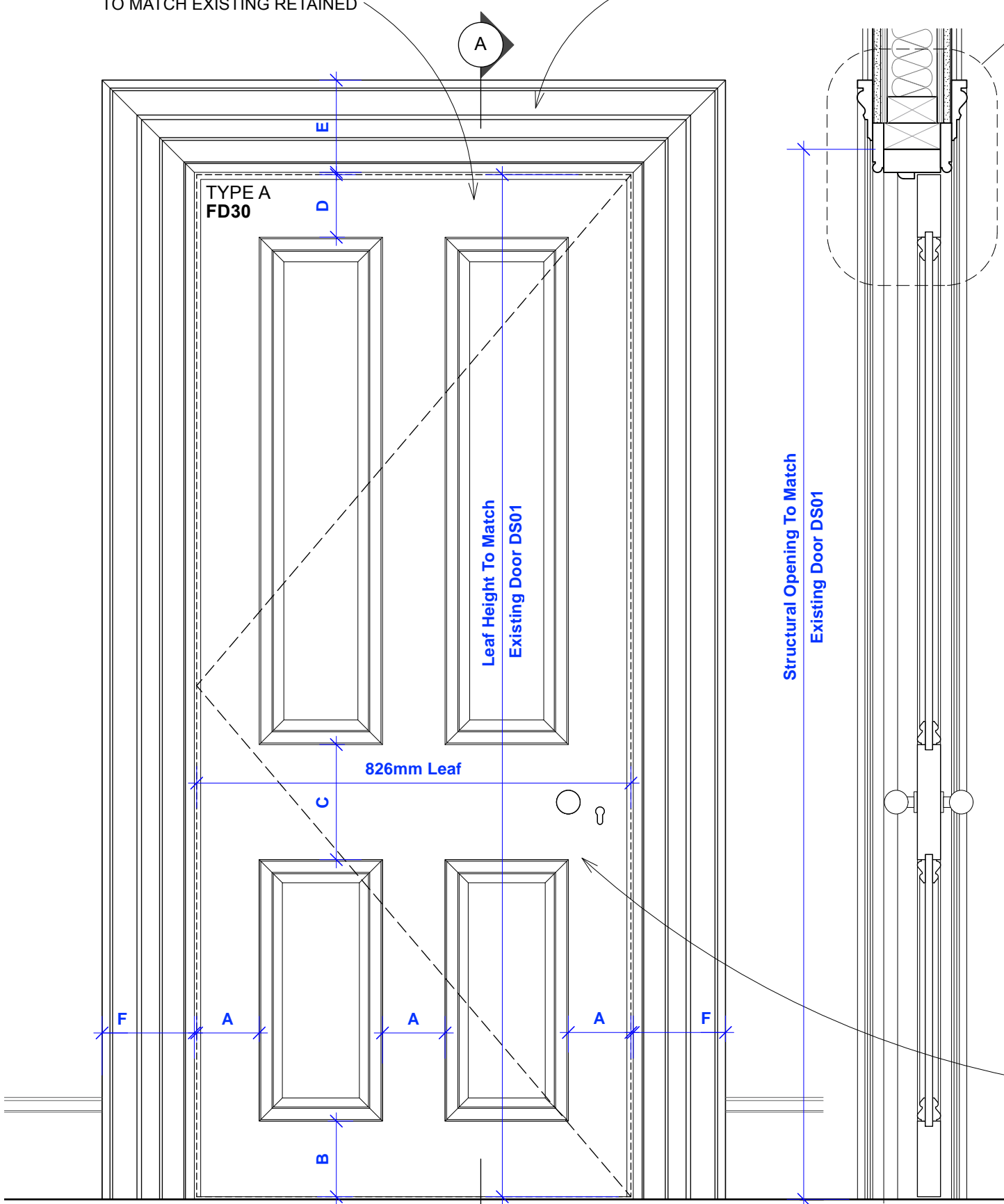
Scale 1:10

Rev A. Photograph of door edited

Oct 24

FOUR PANELED DOOR WITH PROFILE MOULDINGS TOGETHER WITH TOP BOTTOM & SIDE RAILS TO MATCH EXISTING RETAINED

ARCHITRAVE TO MATCH EXISTING SECOND FLOOR ARCHITRAVE AROUND DOOR REF DS01

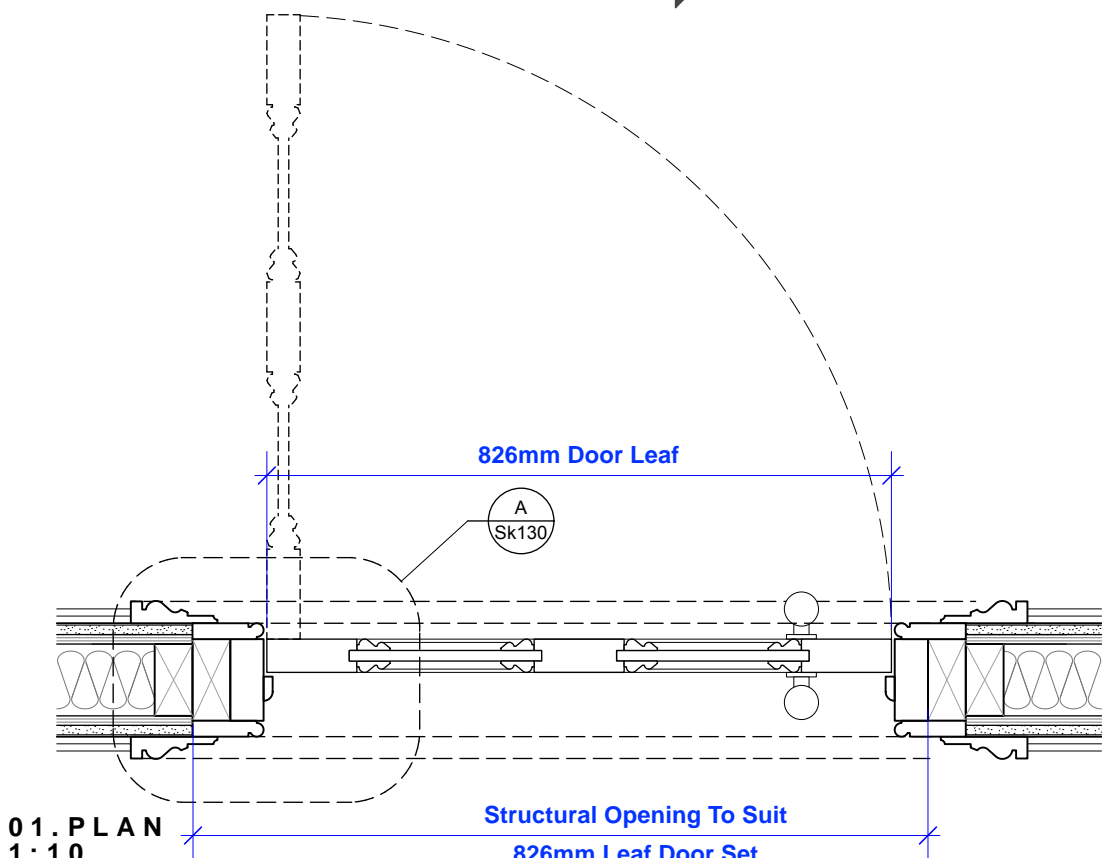


04. PHOTO OF ADJACENT EXISTING SECOND FLOOR DOOR TO BE RETAINED (ref DS01).  
nts

NEW DOOR TO BE FITTED WITH HORIZONTAL MORTICE SASH LOCK WITH KNOB SET AND ESCHEON. ONE AND HALF BUTT HINGES.

02. ELEVATION  
1:10

03. SECTION A-A  
1:10



**PROPOSED TYPE A (FD30) DOOR PLAN SECTION AND ELEVATION LOCATION = nDS02, nDS03, nDS04**

To be read in conjunction with BHA Drawings:

Sk130\_Proposed 2nd Floor Door Type A nDS02,03 & 04 Details (1of2)  
Sk35\_Proposed Second Floor Setting Out Plan 1:50  
Sk918\_Location Plans For Proposed New Internal Doors

0 200mm 1m Scale 1:10

**Butler Hegarty Architects**  
Unit 3.3, Islington Studios, 159-163 Marlborough Road, London, N19 4NF  
tel: 020 72638933 email: mail@butlerhegartyarchitects.co.uk

**DO NOT SCALE**

**16 St. Peters Road**  
Title: Proposed 2nd Floor Door Type A  
nDS02,03 & 04 Details (1of2)  
Drawing No: 0122823-Sk130 Scale 1:10 @ A3