

INTERIOR ELEVATION @ 1:10

SECTION A-A @ 1:10

PROPOSED DOOR nDG01 DETAILS 1

0 200mm 1m Scale 1:10

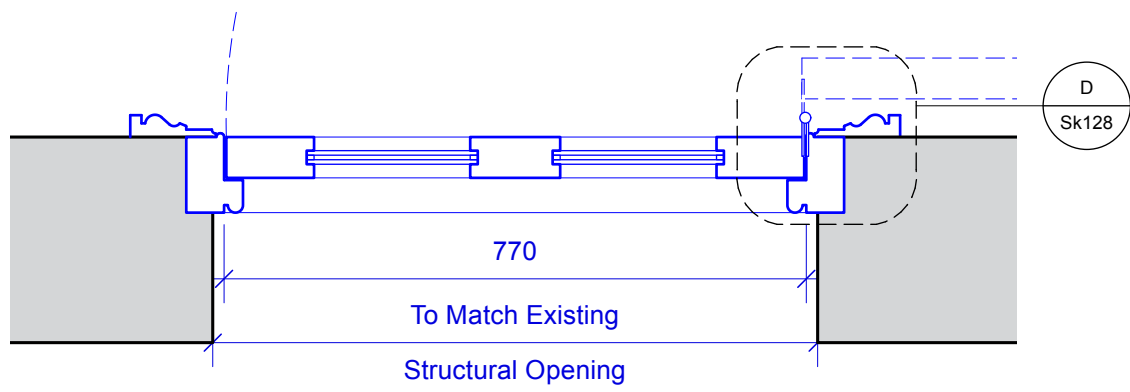
Butler Hegarty Architects
Unit 3.3, Islington Studios, 159-163 Marlborough Road, London, N19 4NF
tel: 020 72638933 email: mail@butlerhegartyarchitects.co.uk

DO NOT SCALE

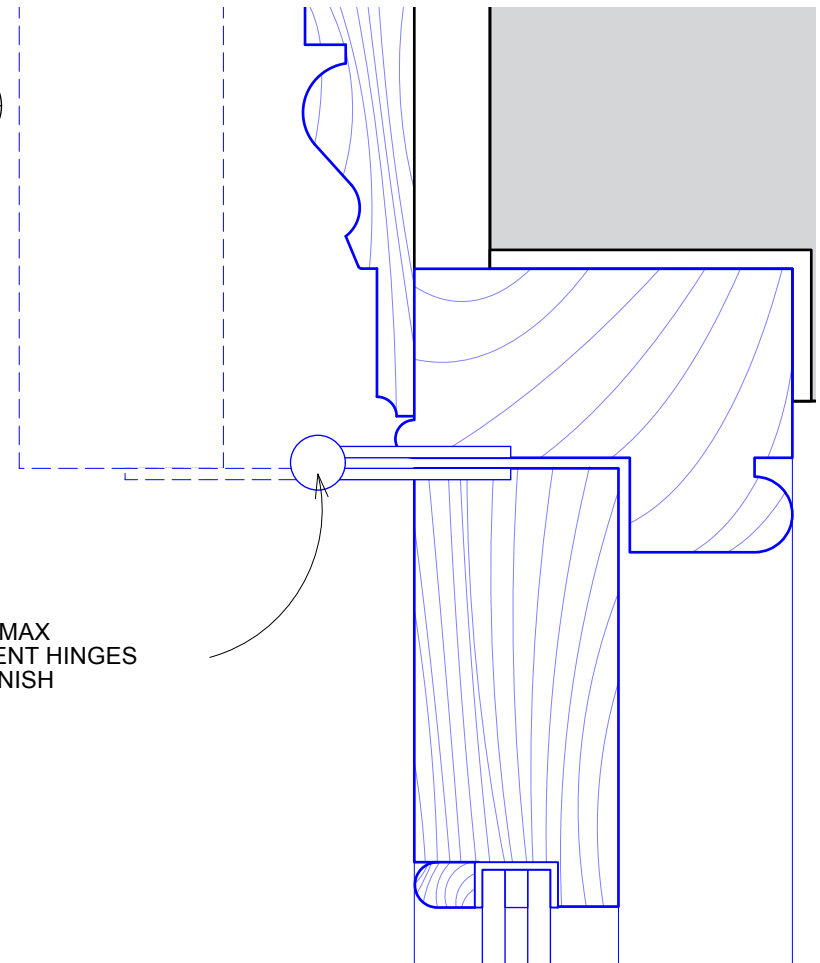
To be read in conjunction with BHA Drawings:

Sk128_Proposed Door nDG01 Details 2

16 St. Peters Road
Title: Proposed Door nDG01 Details (1 of 2)
Drawing No: 0122823-Sk127 Scale 1:10 @ A3

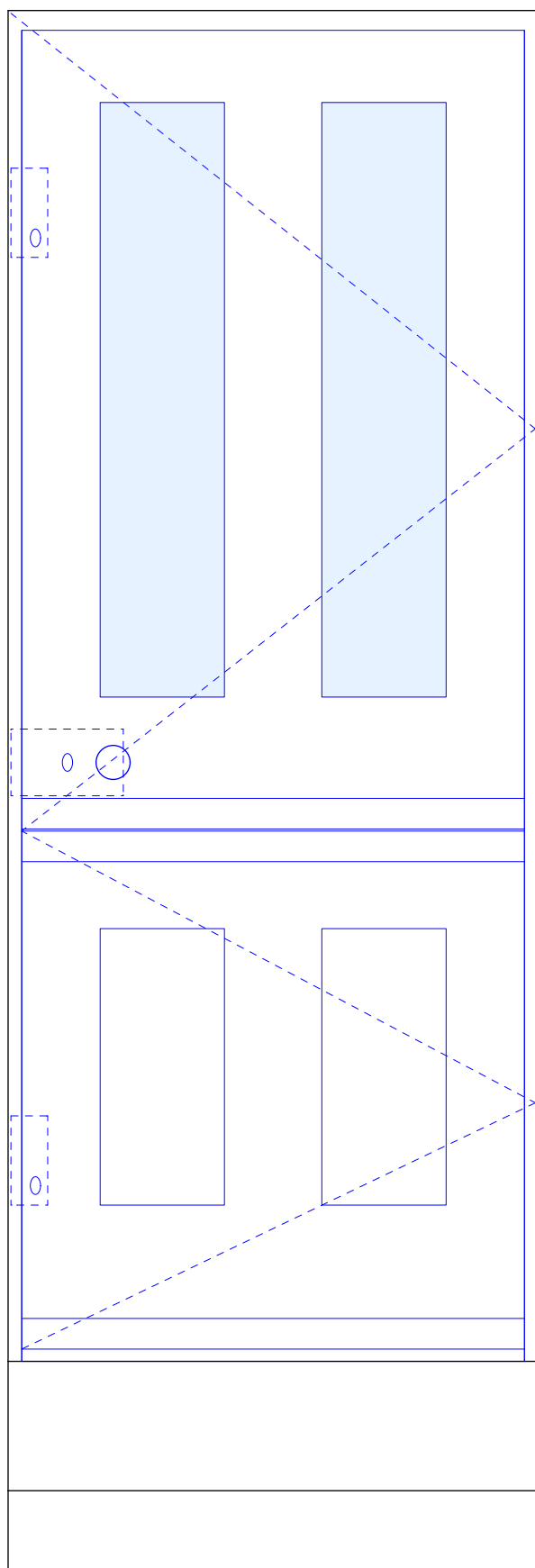


PLAN SECTION B-B @ 1:10



ENDURO MAX
PARLIAMENT HINGES
BRASS FINISH

DETAIL SECTION D @ 1:2

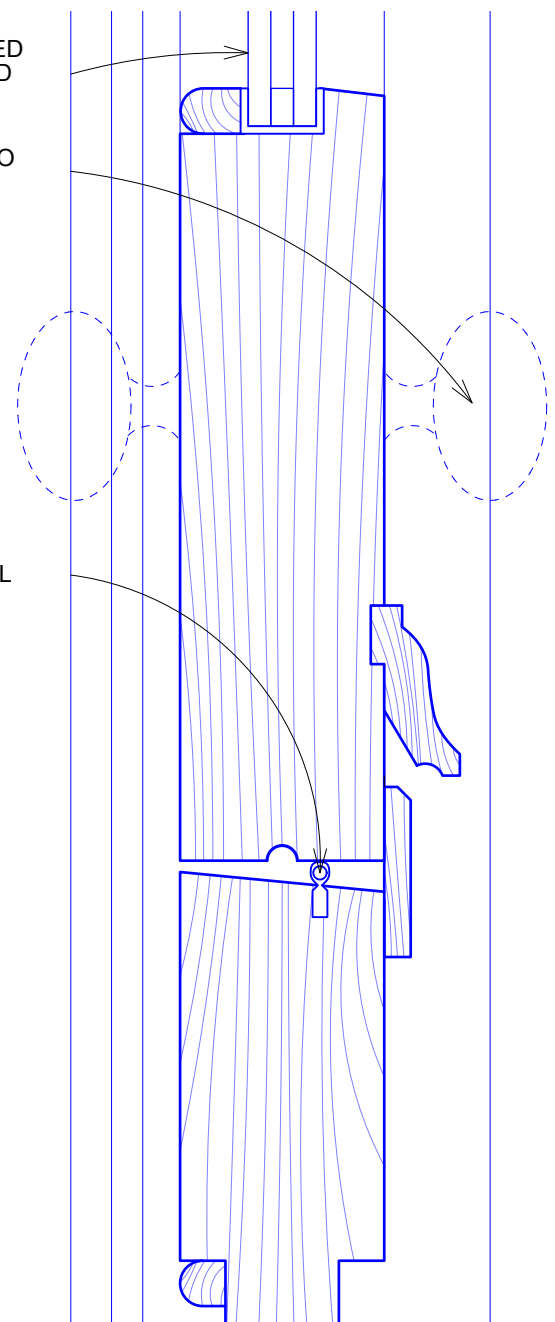


EXTERIOR ELEVATION @ 1:10

18mm DOUBLE GLAZED
WITH 6mm LAMINATED
GLASS

BRASS HARDWARE TO
BE CONFIRMED

DRAUGHT STRIP SEAL



DETAIL SECTION C-C @ 1:2

PROPOSED DOOR nDG01 DETAILS 2



Scale 1:10

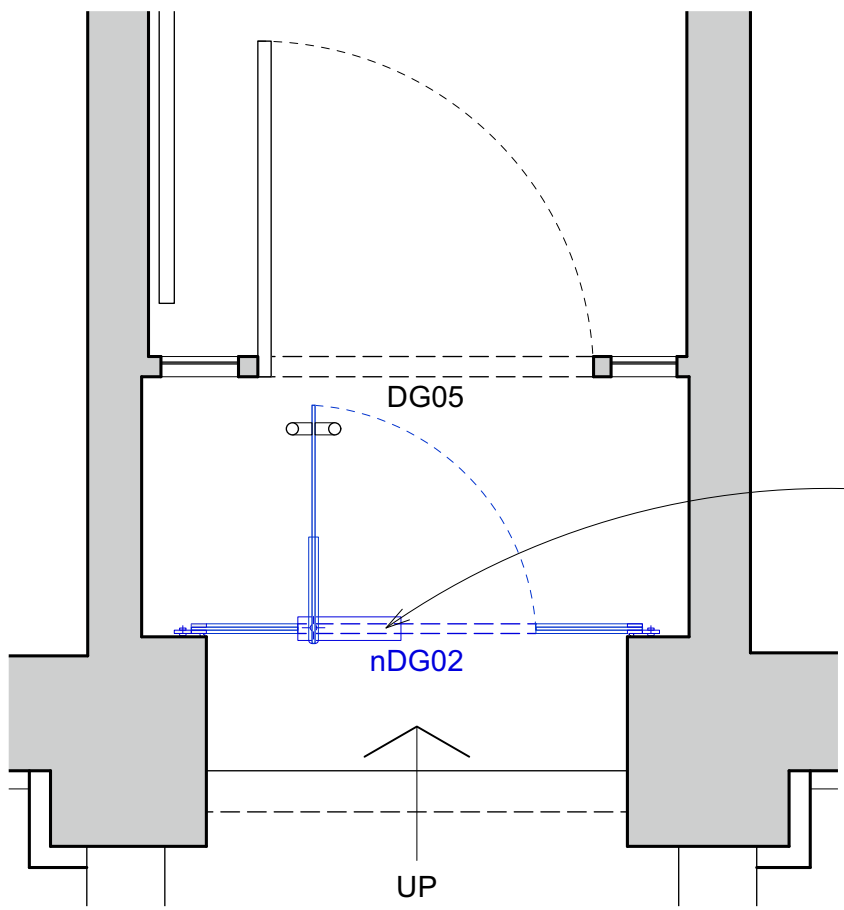
Butler Hegarty Architects
Unit 3.3, Islington Studios, 159-163 Marlborough Road, London, N19 4NF
tel: 020 72638933 email: mail@butlerhegartyarchitects.co.uk

DO NOT SCALE

To be read in conjunction with BHA Drawings:

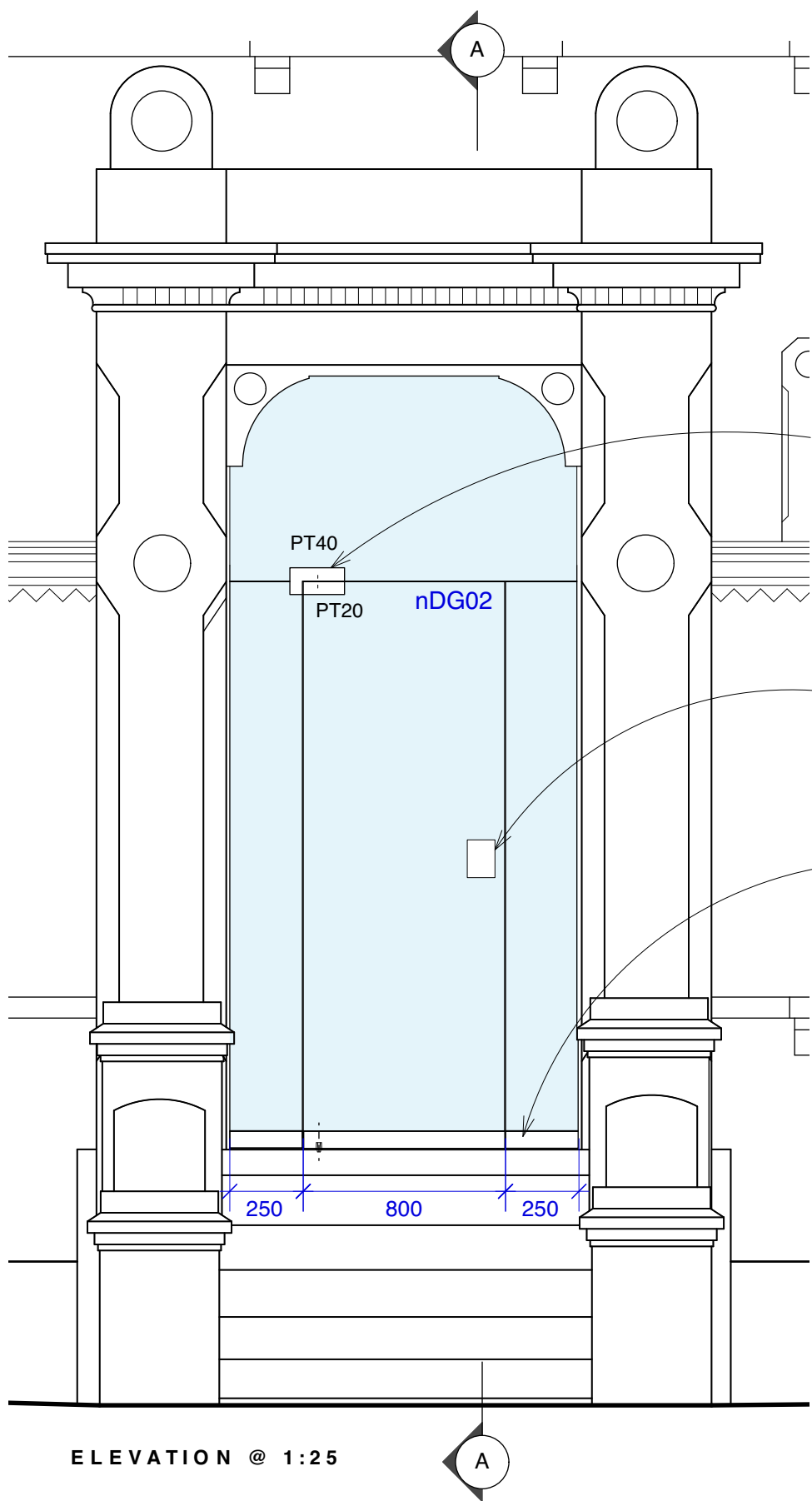
Sk127_Proposed Door nDG01 Details 1

16 St. Peters Road
Title: Proposed Door nDG01 Details (2 of 2)
Drawing No: 0122823-Sk128 Scale 1:2, 1:10 @ A3



PIVOT DOOR WITH FRANCHI FFS40 FLOOR SPRING WITH SPINDLE

PLAN @ 1:25

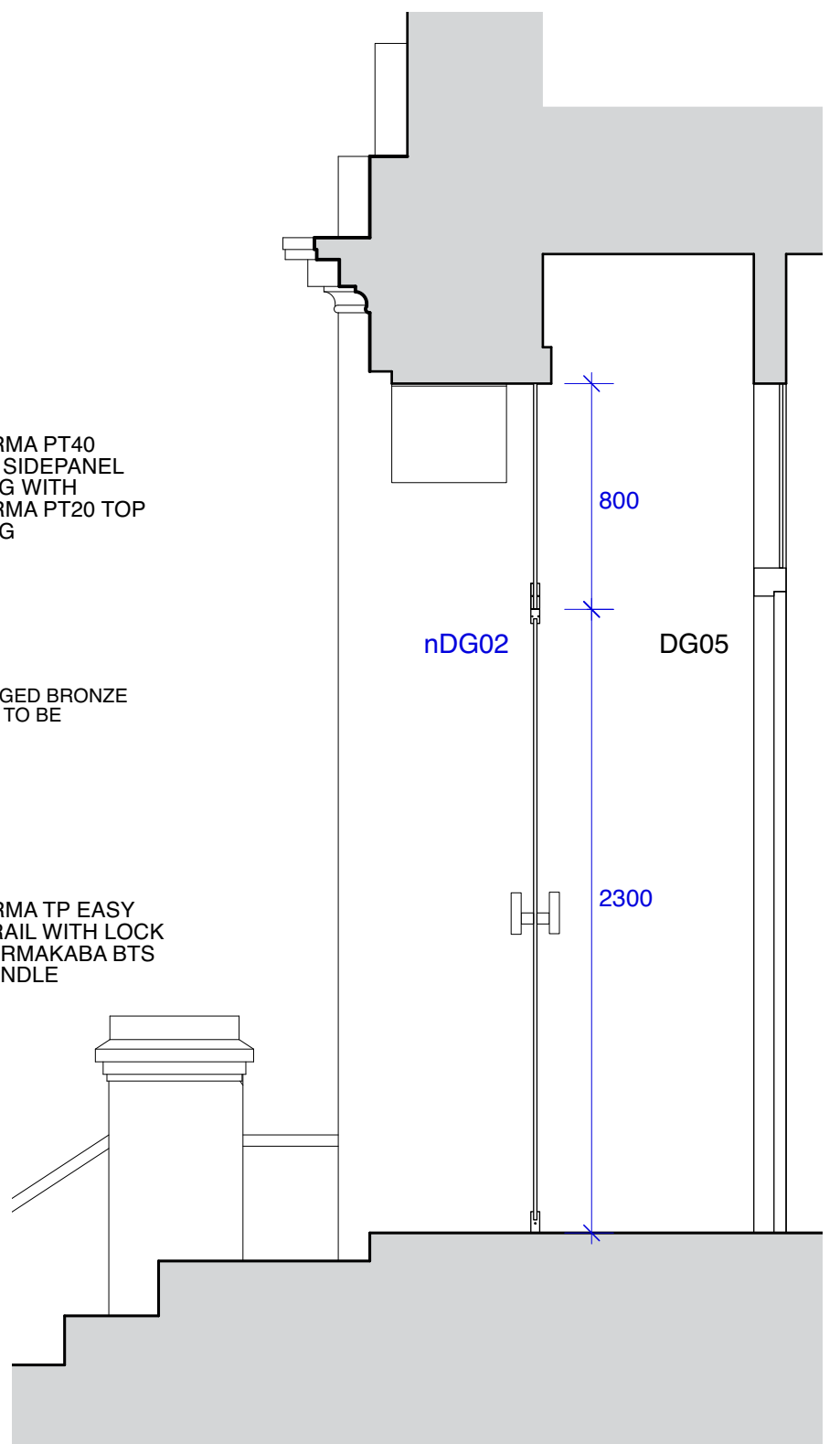


FRANCHI DORMA PT40 OVERPANEL / SIDEPANEL PATCH FITTING WITH FRANCHI DORMA PT20 TOP PATCH FITTING

TYPICAL SALVAGED BRONZE PULL HANDLES TO BE CONFIRMED

FRANCHI DORMA TP EASY SAFE DOOR RAIL WITH LOCK AND WITH DORMAKABA BTS 80 FLOOR SPINDLE

ELEVATION @ 1:25



SECTION A-A @ 1:25

PROPOSED DOOR nDG02 PLAN SECTION AND ELEVATION

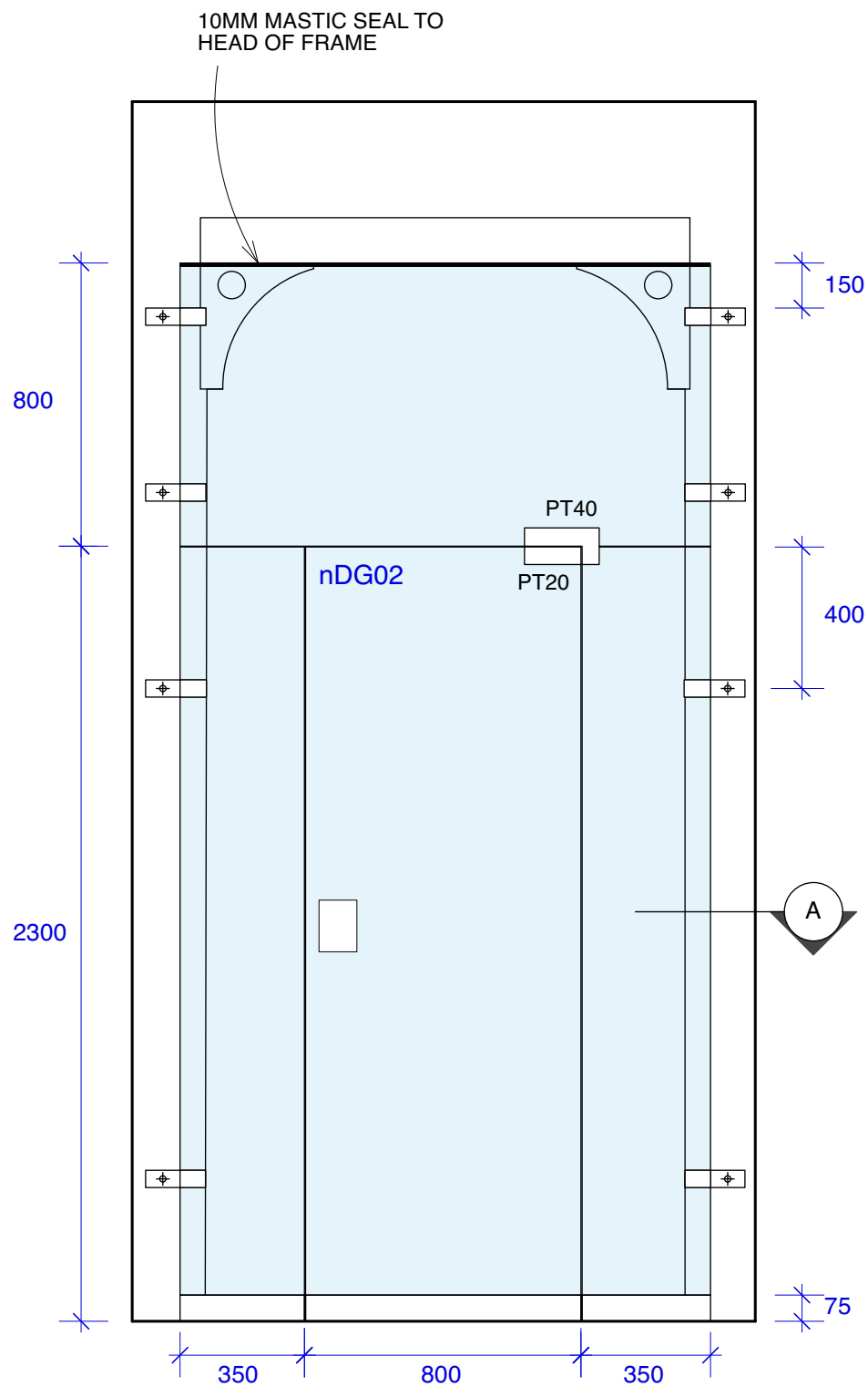
Rev A. nDG02 Door handle to match the selected handle chosen by Aug 24 client.

0 500mm 2500mm Scale 1:25

Butler Hegarty Architects
Unit 3.3, Islington Studios, 159-163 Marlborough Road, London, N19 4NF
tel: 020 72638933 email: mail@butlerhegartyarchitects.co.uk





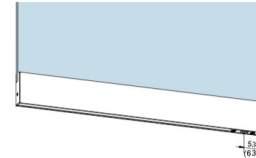


DO NOT SCALE

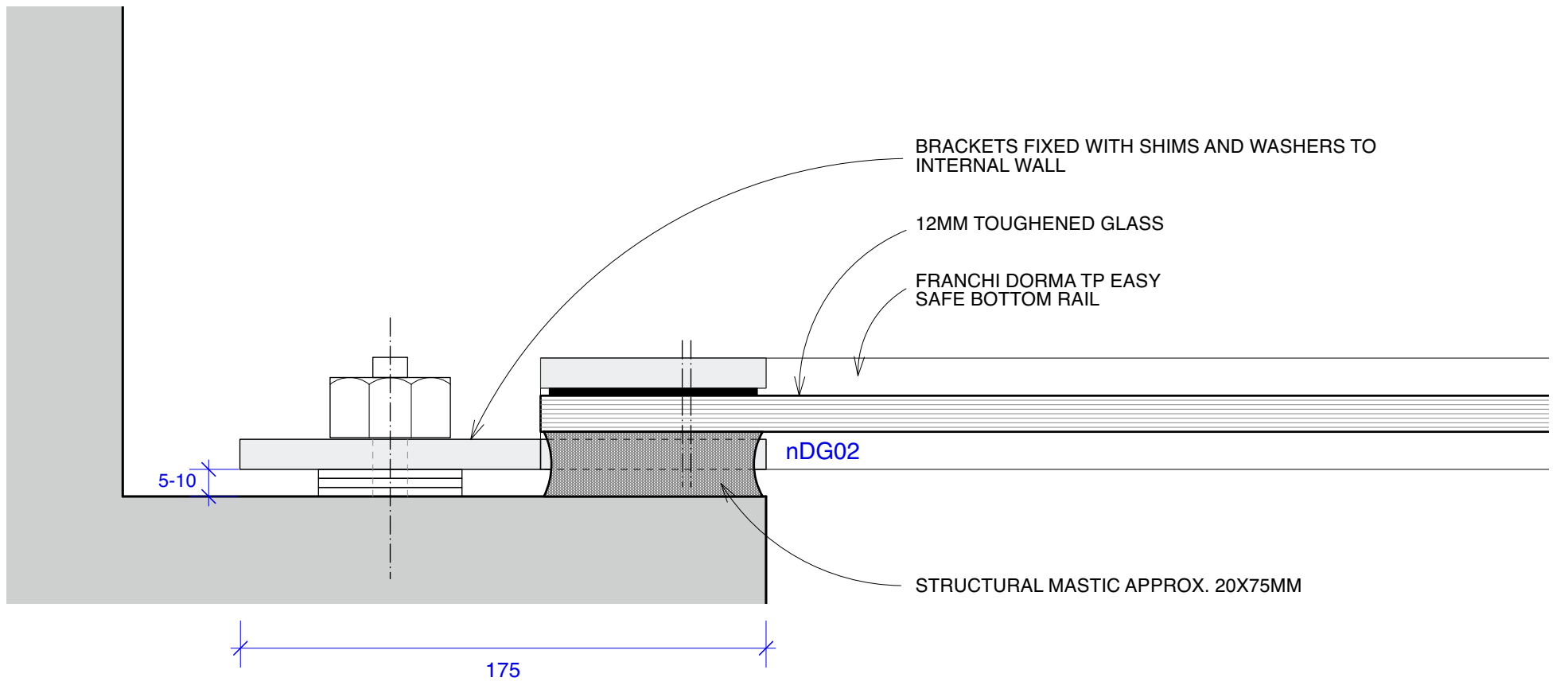
16 St. Peters Road
Title: Proposed Door nDG02 Plan Section & Elevation.
Drawing No: 0122823/Sk85 Scale 1:25 @ A3



ELEVATION @ 1:20

PRODUCTS USED

- 
 TYPICAL SALVAGED BRONZE PULL HANDLES TO BE CONFIRMED
- 
 FRANCHI DORMA PT20 TOP PATCH FITTING - BRASS FINISH
- 
 FRANCHI DORMA PT40 OVERPANEL / SIDEPANEL PATCH FITTING - BRASS FINISH
- 
 FRANCHI DORMA STUDIO CLASSIC PATCH STRIKE LOCK MINI 10.512 - BRASS FINISH
- 
 FRANCHI DORMA TP EASY DOOR RAIL
- 
 DORMAKABA BTS 80 FLOOR SPINDLE
- 
 FRANCHI FLOOR LOCK - BRASS FINISH



PLAN DETAIL A @ 1:5

PROPOSED DOOR nDG02 INTERNAL ELEVATION AND DETAIL

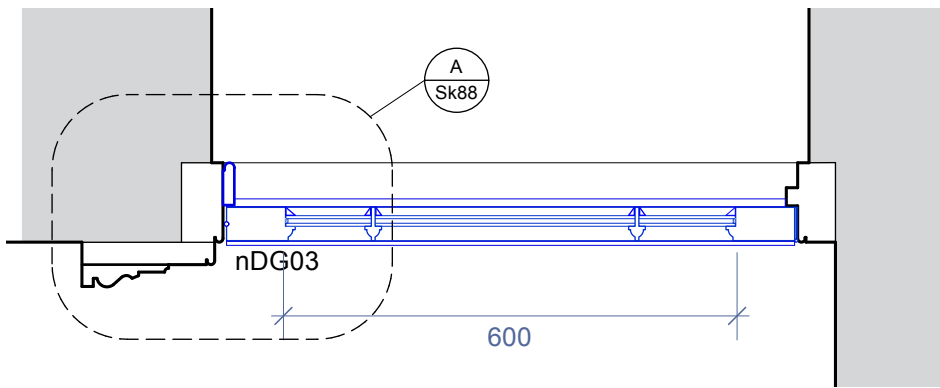


Butler Hegarty Architects
 Unit 3.3, Islington Studios, 159-163 Marlborough Road, London, N19 4NF
 tel: 020 72638933 email: mail@butlerhegartyarchitects.co.uk

DO NOT SCALE

Rev B. Fittings noted to be brass Oct 24
 Rev A. nDG02 Door handle to match the selected handle chosen by Aug 24 client.

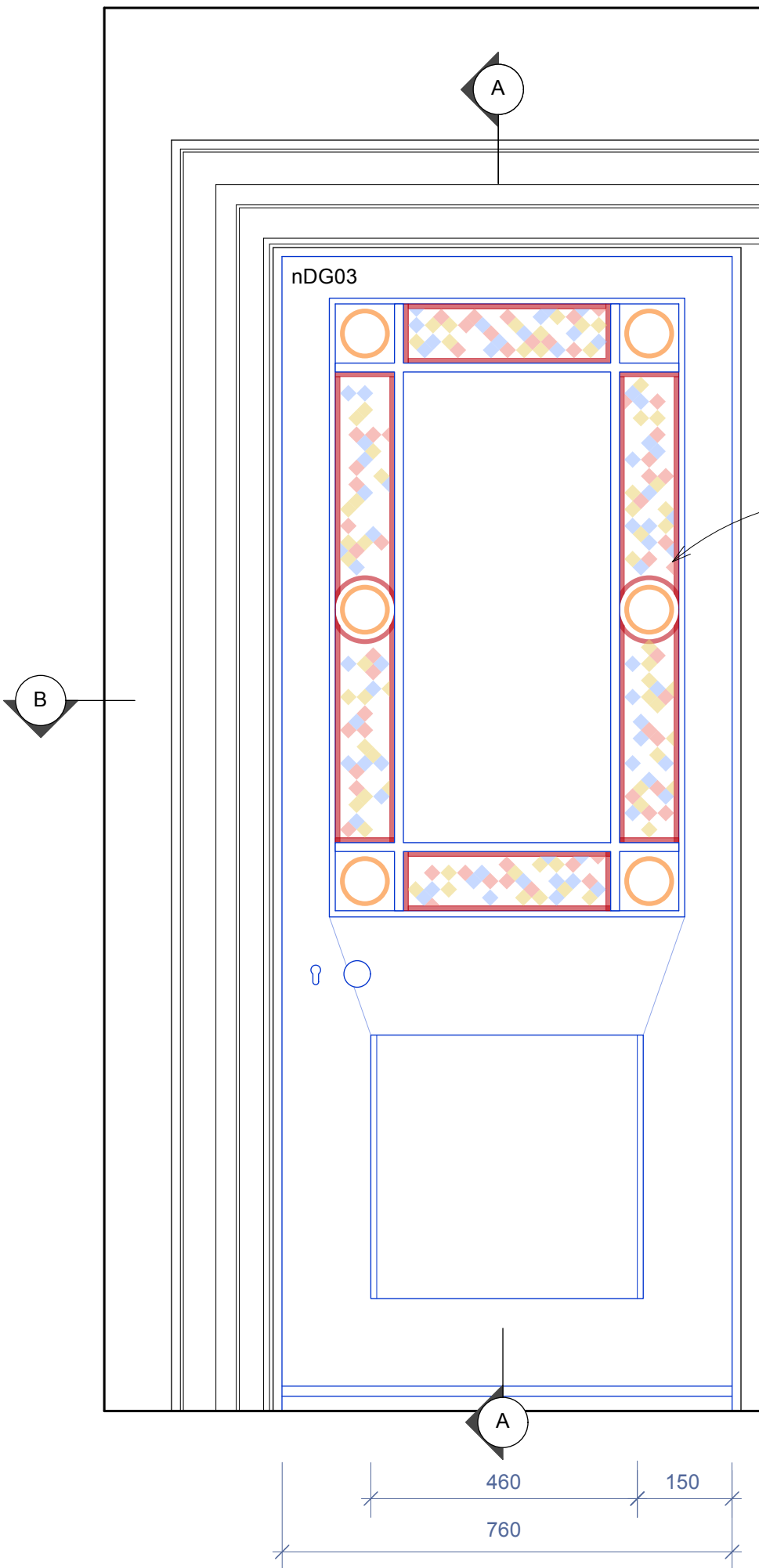
16 St. Peters Road
 Title: Proposed Door nDG02 Internal Elevation and Detail
 Drawing No: 0122823/Sk86B Scale 1:20, 1:5 @ A3



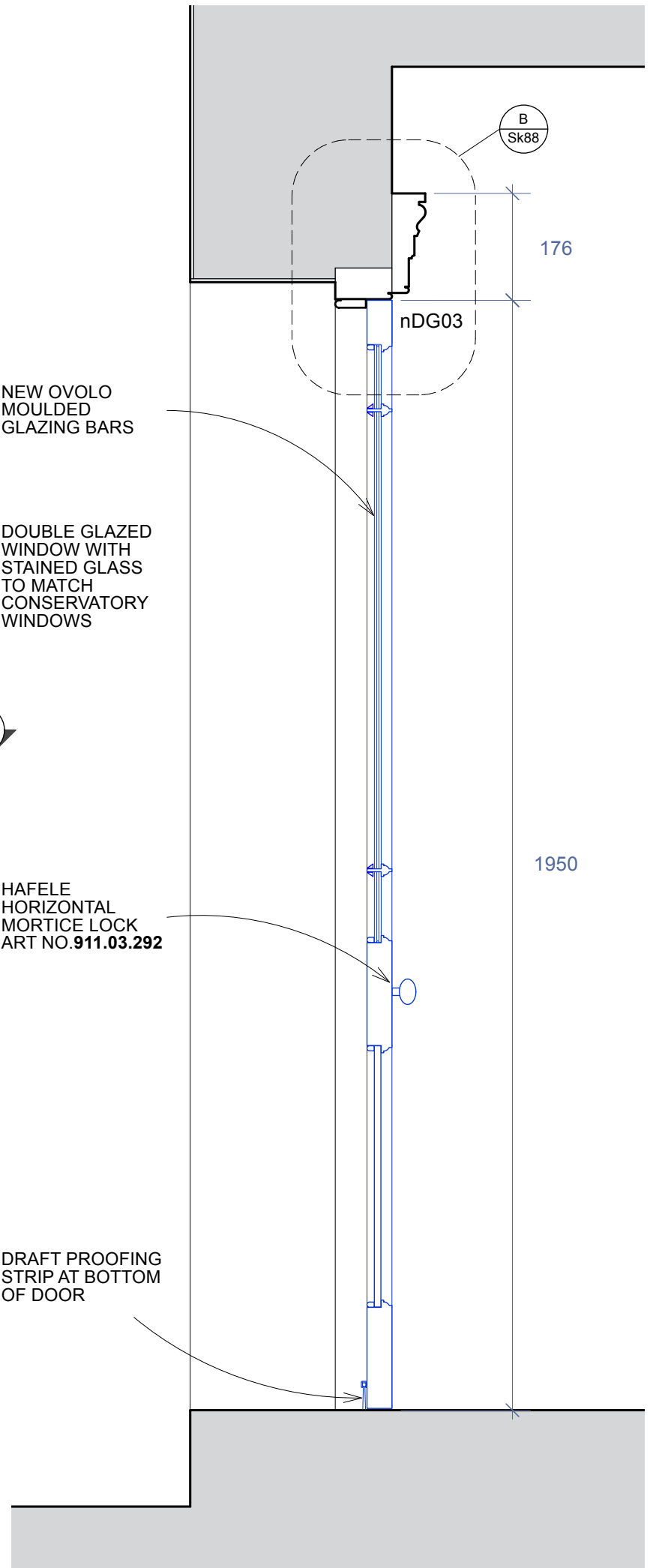
PLAN SECTION B-B @ 1:10



PHOTO OF CONSERVATORY WINDOWS



ELEVATION @ 1:10



SECTION A-A @ 1:10

PROPOSED DOOR nDG03 PLAN SECTION AND ELEVATION

0 200mm 1m Scale 1:10

Butler Hegarty Architects
 Unit 3.3, Islington Studios, 159-163 Marlborough Road, London, N19 4NF
 tel: 020 72638933 email: mail@butlerhegartyarchitects.co.uk

DO NOT SCALE

16 St. Peters Road
 Title: Proposed Door nDG03 Plan Section & Elevation
 Drawing No: 0122823-Sk87 Scale 1:10 @ A3