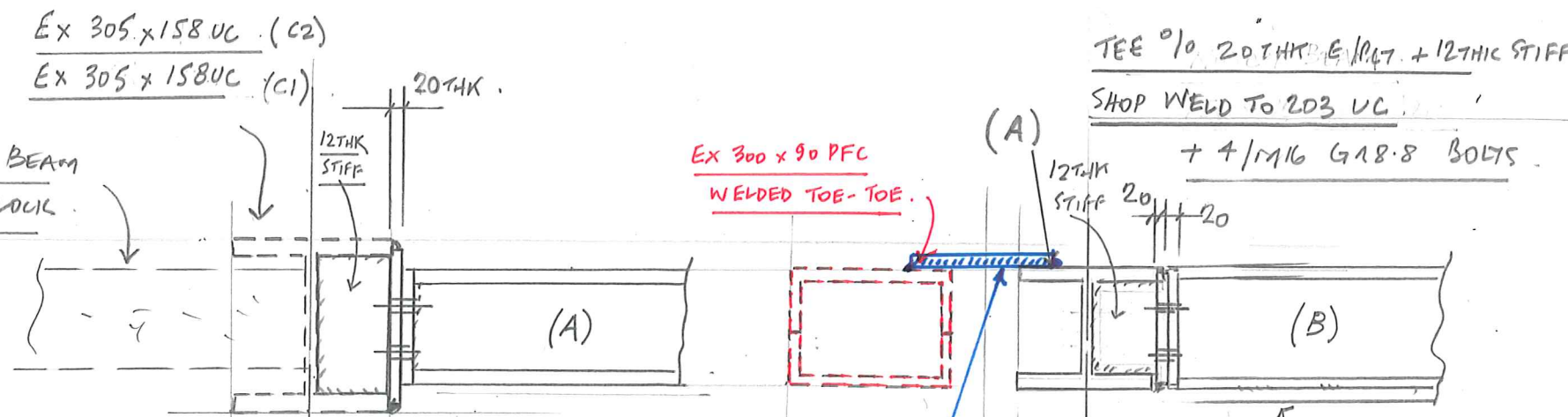
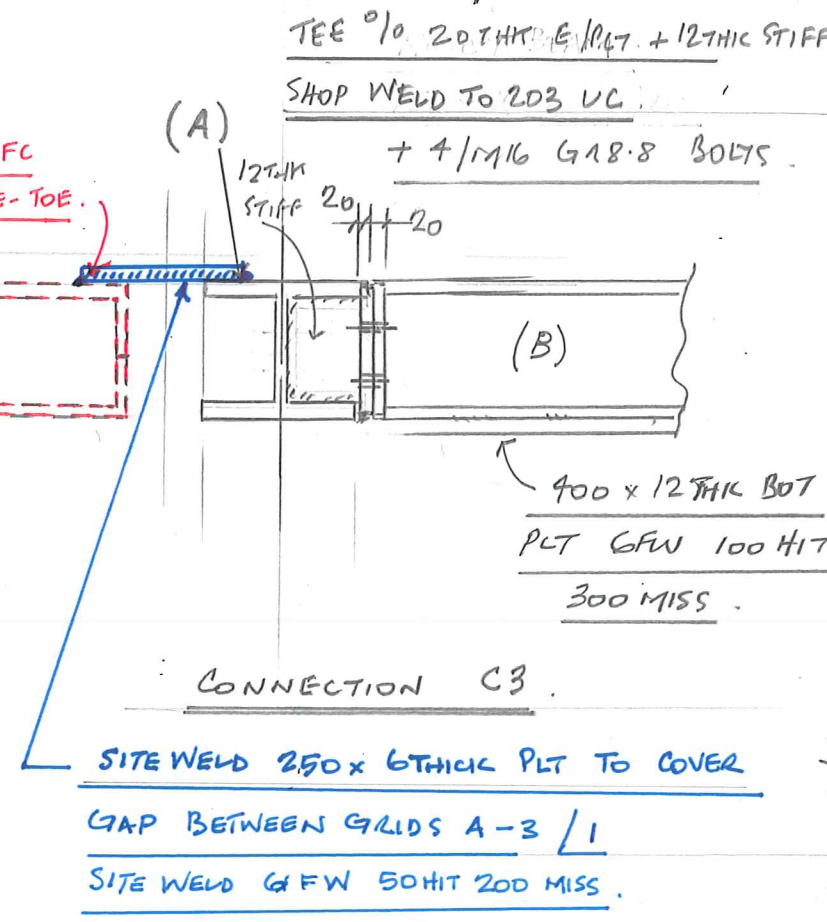


PLAN

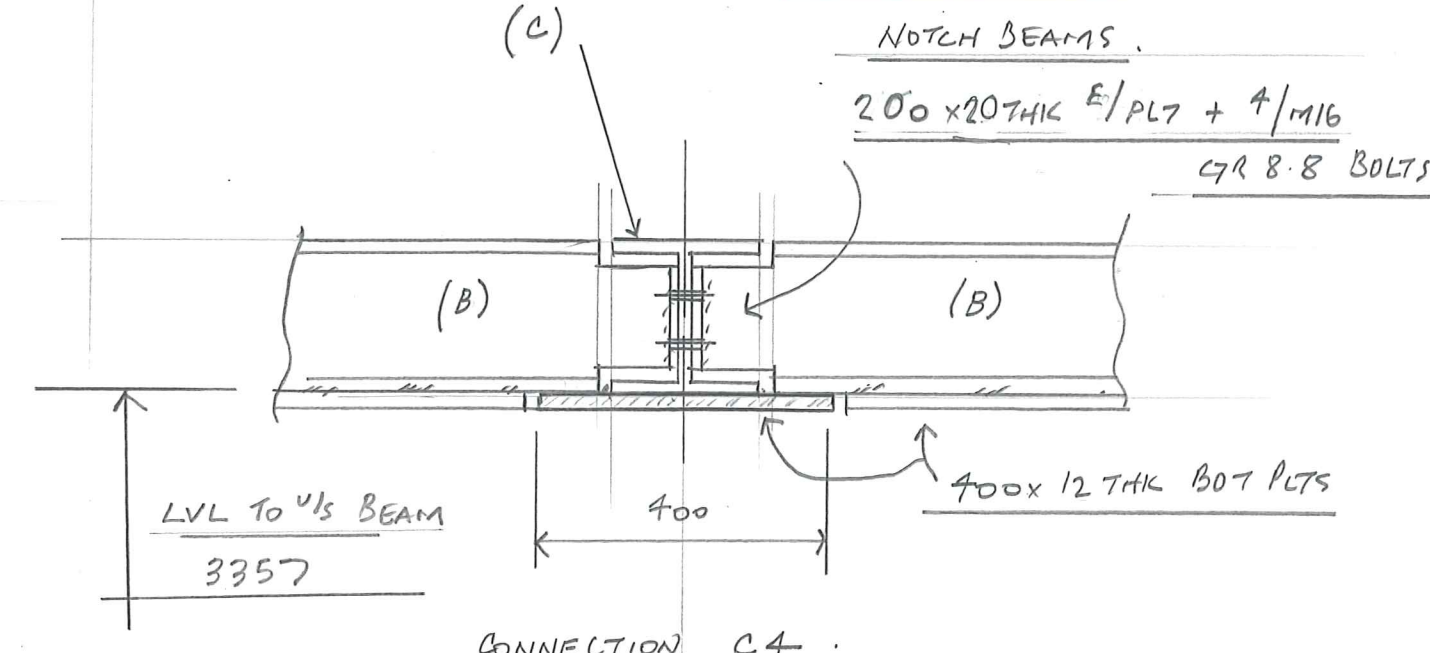
- PROPOSED 2nd Floor.
- LEGEND:
- (A) - 203 x 203 x 46 UC.
 - (B) - 203 x 203 x 46 UC + 400 x 12 THK BOT PLT.
 - (C) - 203 x 203 x 52 UC + 400 x 12 THK BOT PLT.



CONNECTION C1
 TEE 20THK E/PLT + 12THK STIFF
 SITE WELD TO EX UC + 4/M16 GR 8.8 BOLTS
 NOTE CONNECTION C2 SIMILAR



CONNECTION C3
 TEE 20THK E/PLT + 12THK STIFF + 4/M16 GR 8.8 BOLTS
 SHOP WELD TO 203 UC
 + 4/M16 GR 8.8 BOLTS
 400 x 12 THK BOT PLT GFW 100 HIT 300 MISS
 SITE WELD 250 x 6 THK PLT TO COVER GAP BETWEEN GRIDS A-3 / 1
 SITE WELD GFW 50 HIT 200 MISS



CONNECTION C4
 NOTCH BEAMS
 200 x 20 THK E/PLT + 4/M16 GR 8.8 BOLTS
 400 x 12 THK BOT PLTS
 BEAM SECTIONS GR S355

Elstead Engineering Limited
 Unit 3 Essex House Josselin Road,
 Basildon Essex SS13 1EL
 Telephone - 01268 725 150
 Facsimile - 01268 725 160

General Notes:
 Holes: diameter UNO
 Welds: 6 mm Fillets UNO
 Surface Treatment:
 S/B + ZINC PHOSPHATE PRIMER

Contract: PALM COURT
Drawing Title:
 PROPOSED STEEL - STEEL
 CONNECTION DETAILS

Contract No: 2309/01
Drawing No: GA1-C
Date: OCT 23

REV A 6/11 - SITE DIMS ADDED
 REV B 22/11 - SITE DIMS + MARKS ADDED
 REV C 15/11 COVER PLT ADDED. GRID 1/A-C