

General Notes

- Do not scale from this drawing
- All dimensions to be verified on site
- To be read in conjunction with all relevant documents
- In the event of discrepancy notify the Architect immediately
- All steel structural elements to be finished with intumescent coating, 30 minutes fire resistance. For all structural elements and connection see SE drawings.
- This document is copyright of Hugh Cullum Architects Ltd

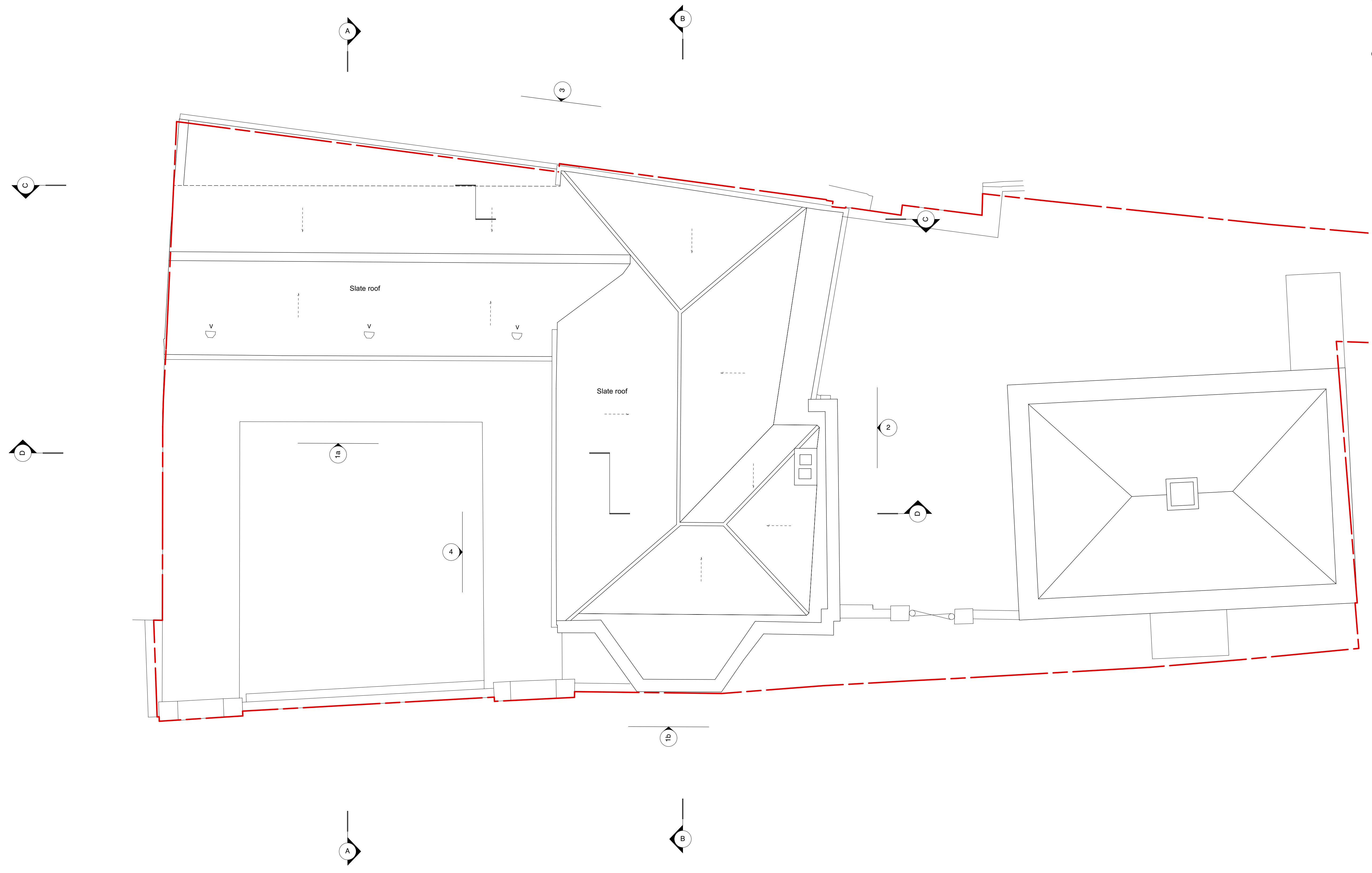
Issue Status

- SK Sketch	- T Tender	- P Permissions
- D Design	- E Existing Condition	- C Contract

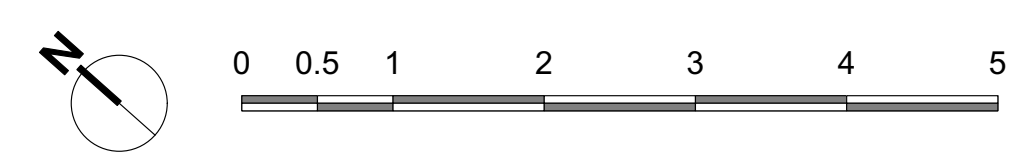
rev	note	date	(drawn by/checked by)
(D)	: Issued for Planning	25.11.24	(TS / HC)

Indicates areas of demolition shown in elevation

Indicates areas of demolition shown in section



Roof Plan



AS EXISTING General Arrangement

HUGH CULLUM ARCHITECTS LTD
 Bloomsbury Design
 61b Judd Street
 London WC1H 9QT
 t 020 7383 7647
 f 020 7387 7645
 mail@hughcullum.com

RTM Parish Rooms
 Existing
 General Arrangement
 Roof Plan
 1:50@A1 1:100@A3
 April 2024
SMR01 - E102 (D)