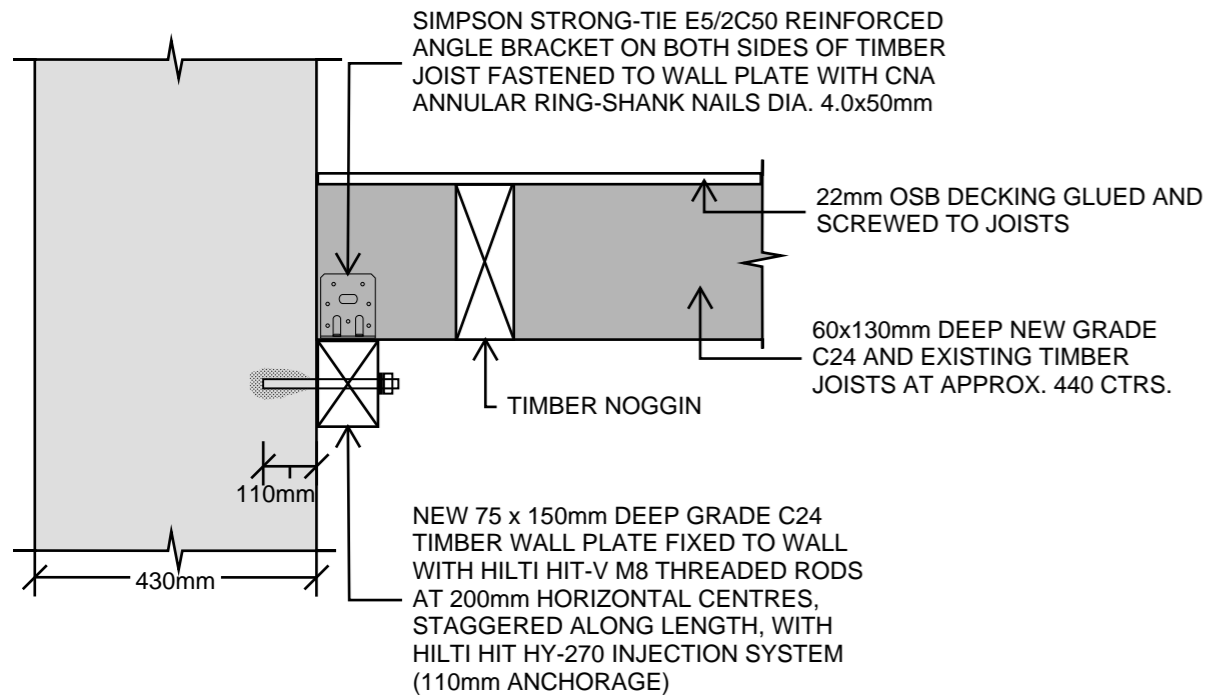
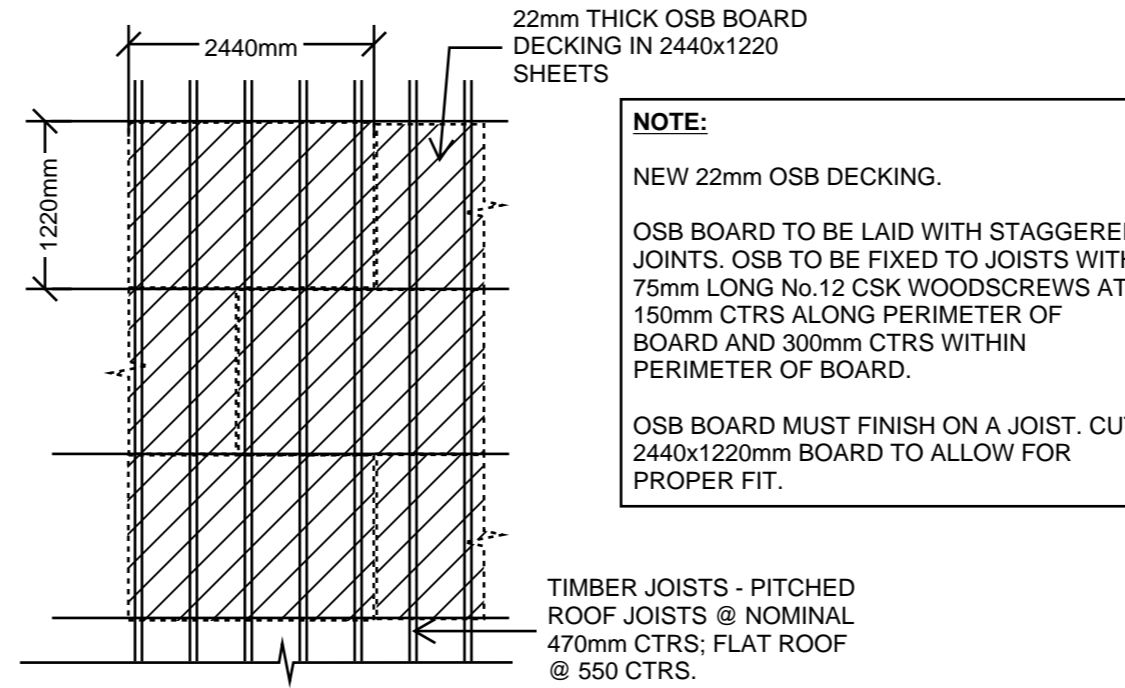


**GENERAL NOTES**

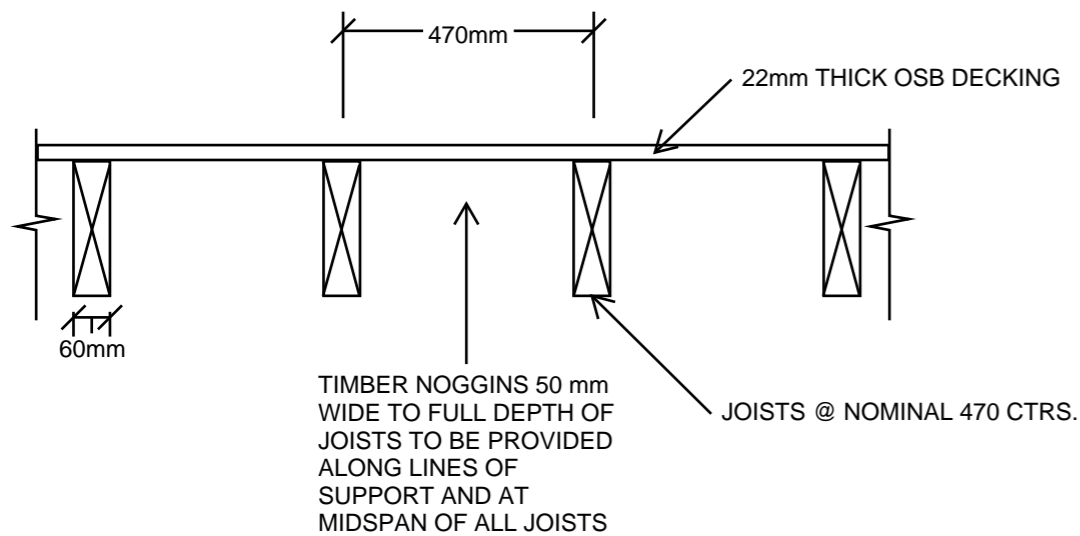
1. THIS DRAWING IS TO BE READ IN CONJUNCTION WITH ALL RELEVANT ARCHITECTS, ENGINEERS AND SPECIALIST DRAWINGS AND SPECIFICATIONS.
2. DO NOT SCALE FROM THIS DRAWING IN EITHER PAPER OR DIGITAL FORM. USE WRITTEN DIMENSIONS ONLY.



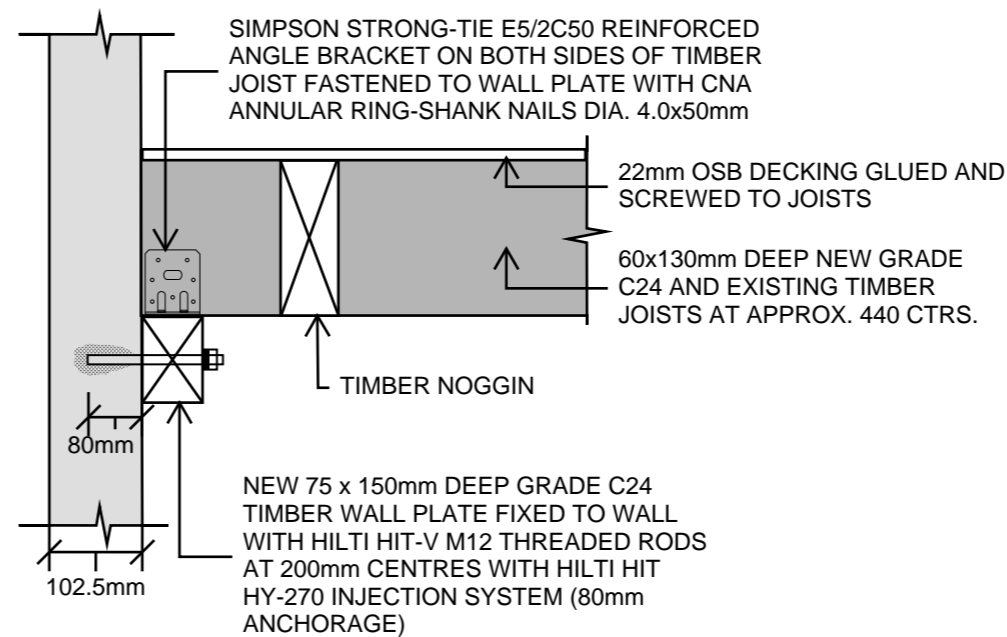
**SECTION 1-1: TYPICAL DETAIL OF JOISTS SUPPORTED ON TIMBER PLATE FIXED TO EXISTING BRICKWORK WALL**  
(NOT TO SCALE)



**TYPICAL DETAIL OF OSB BOARD DECKING TO TIMBER ROOF JOISTS**  
(NOT TO SCALE)



**TYPICAL SECTION THROUGH OSB DECKING**  
(NOT TO SCALE)



**SECTION 2-2: TYPICAL DETAIL OF JOISTS SUPPORTED AND BUILT DIRECTLY INTO BRICKWORK**  
(NOT TO SCALE)

**NOT FOR CONSTRUCTION**

Rev	Date	Description	Drawn	Check
P01	02.12.24	FOR INFORMATION	TW	RF
Scale	Drawn	Engineer	Date	
NTS	TW	TW	DEC 2024	
Drawing Status				Project No
<b>S3 - FOR REVIEW &amp; COMMENT</b>				<b>241158</b>
Drawing No				Revision
<b>241158-CON-XX-XX-SK-S-4001</b>				<b>P01</b>