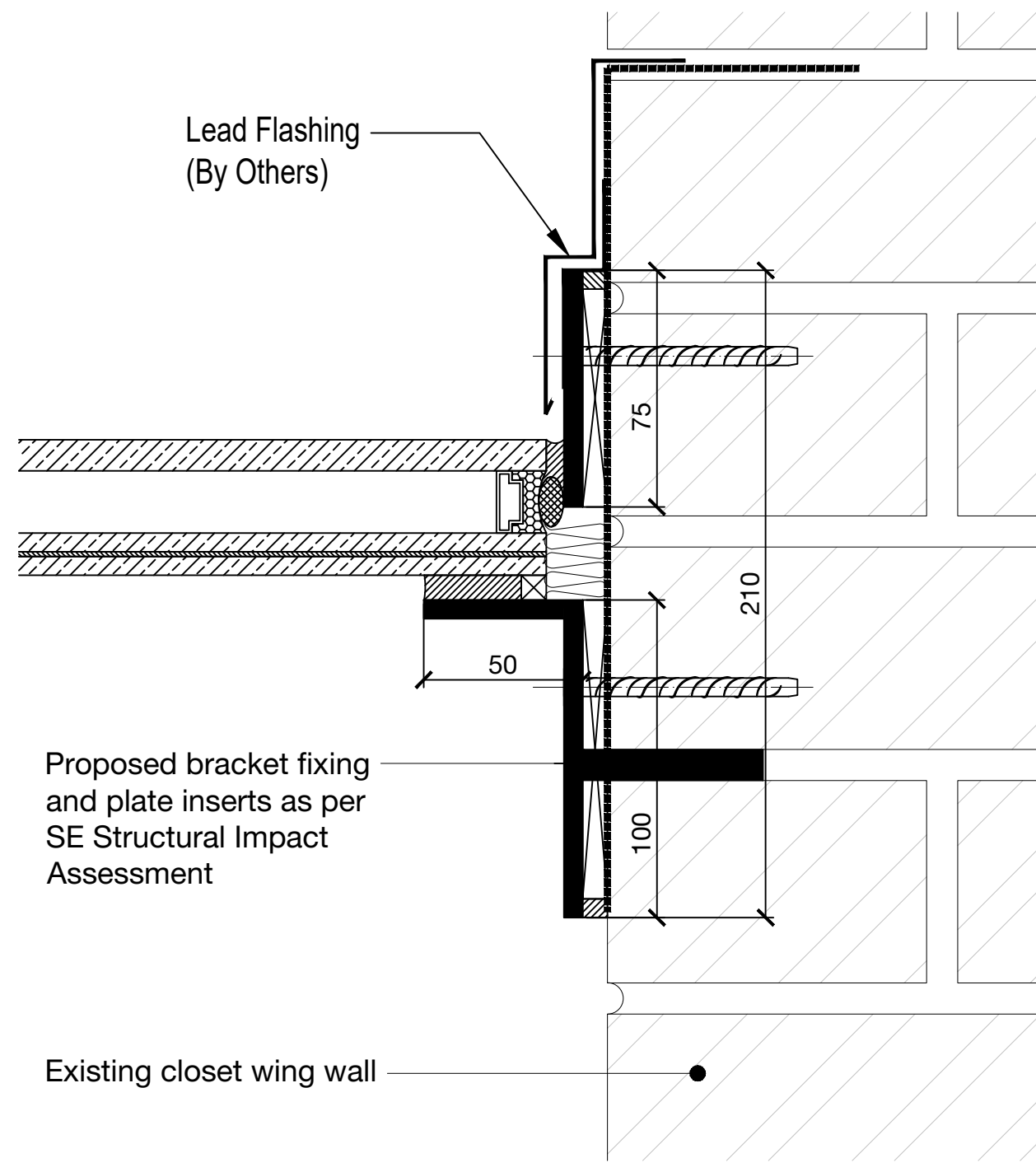
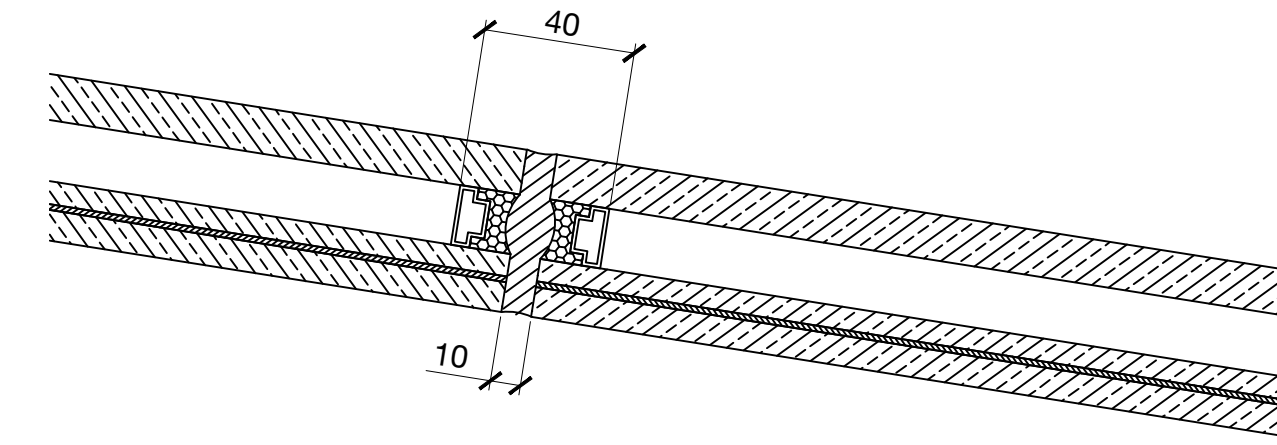


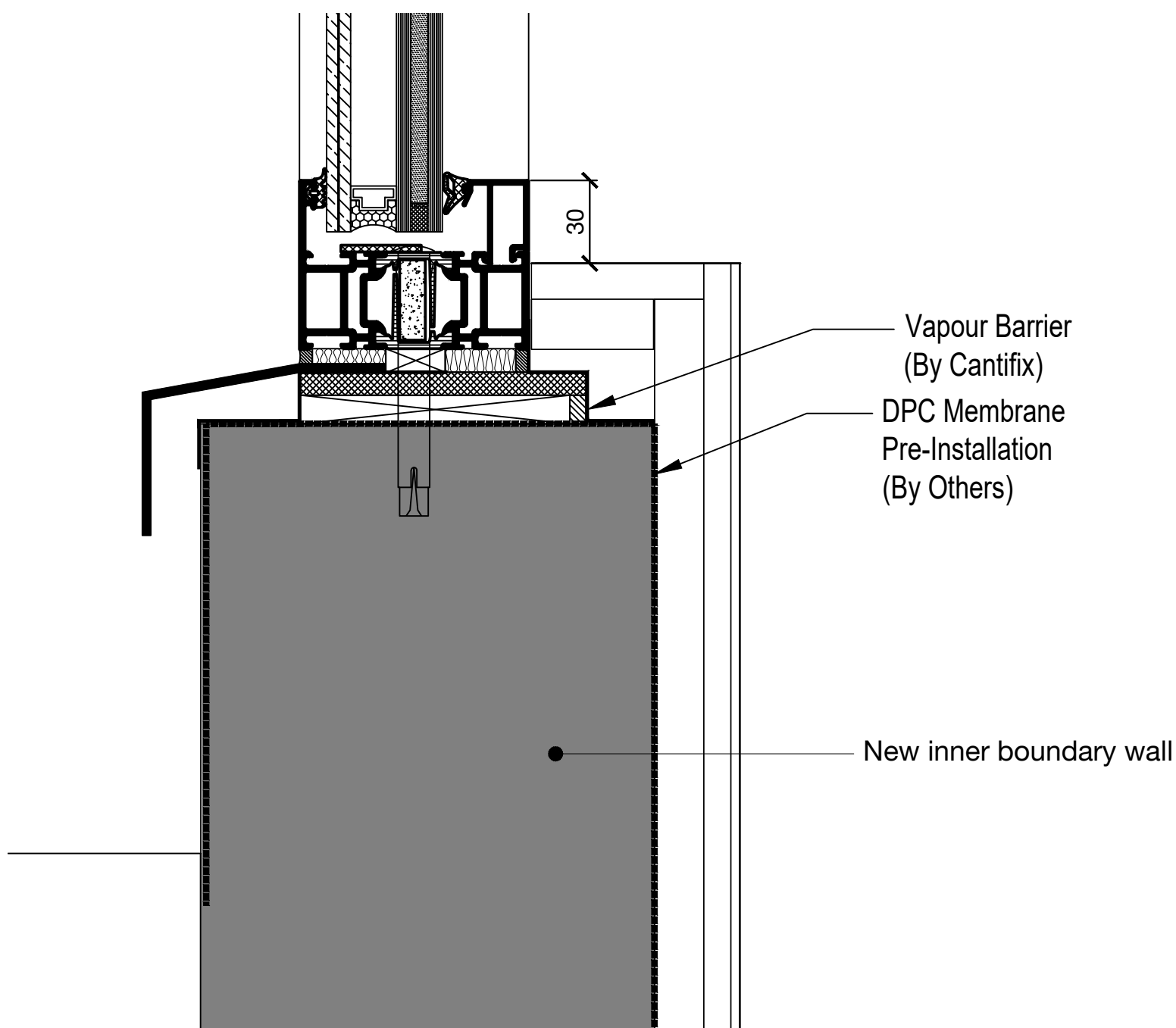
1 Cantifix Detail 01  
Boundary Wall Framed Roof Connection Detail



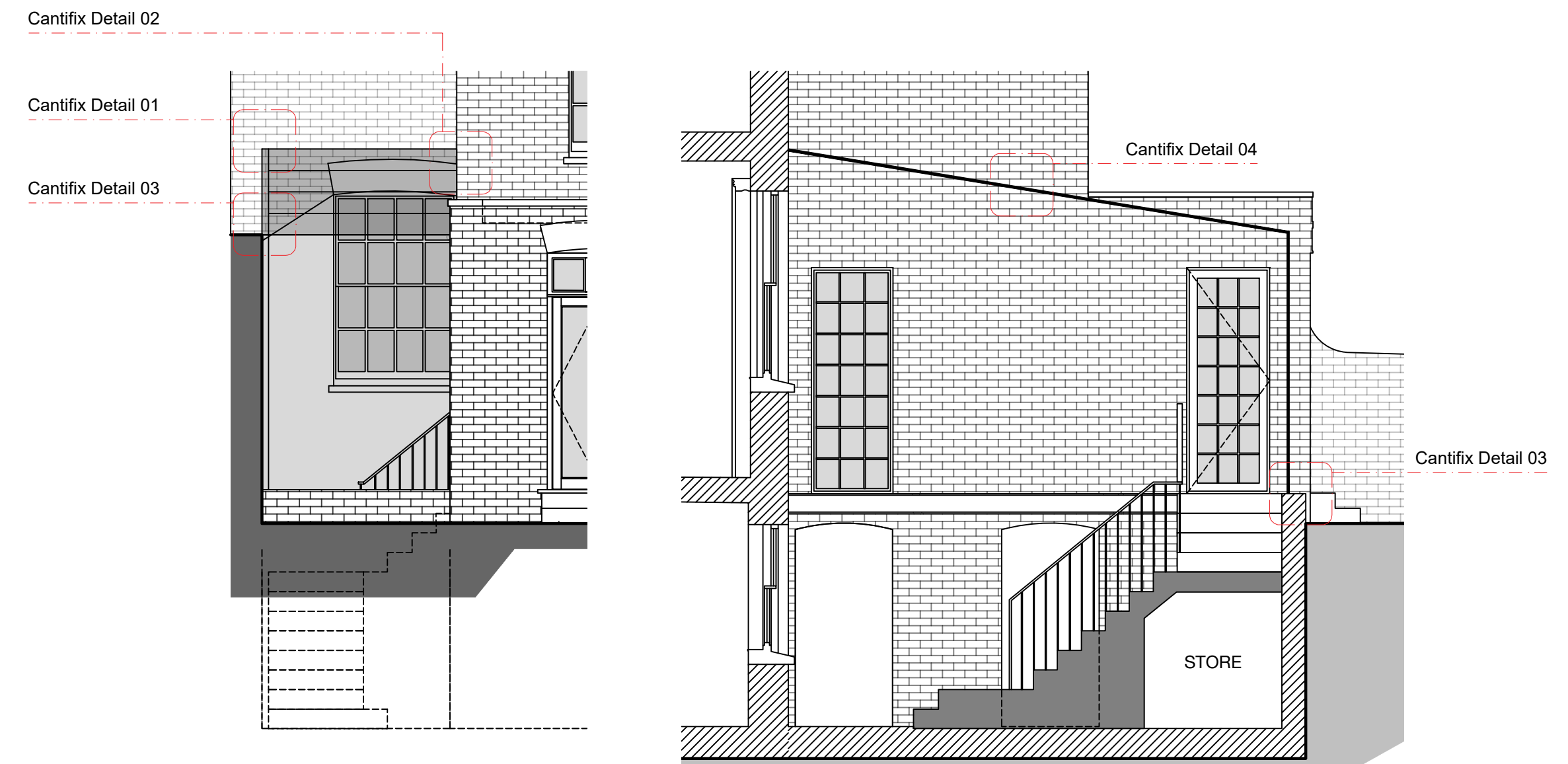
2 Cantifix Detail 02  
Wall Bracket Fixing Detail



4 Cantifix Detail 04  
Silicon Joint Detail



3 Cantifix Detail 03  
Boundary Wall Framed Sill Detail



5 Elevation / Section for Reference

<p>General Notes</p> <ul style="list-style-type: none"> <li>All dimensions to be checked on site.</li> <li>All drawings to be read in conjunction with engineer's drawings. Any discrepancies between consultants drawings to be reported to the Architect before any work commences.</li> <li>The Contractor's attention is drawn to the Health &amp; Safety plan and on drawings as being potentially hazardous.</li> <li>These items should not be considered as a full and final list.</li> <li>The Work Package Contractor's normal Health &amp; Safety obligations still apply when undertaking constructional operations both on and off site.</li> </ul>	<p>Other Notes:</p>	<p>Key:</p>	<p>Revisions:</p> <table border="1"> <thead> <tr> <th>rev</th> <th>date</th> <th>initial</th> <th colspan="2">description</th> </tr> </thead> <tbody> <tr> <td> </td> <td> </td> <td> </td> <td> </td> <td> </td> </tr> </tbody> </table>				rev	date	initial	description							<p>project: 0219 40 RICHMOND HILL</p>	<p>0 0.5 1.0 1.5 2.0 2.5 M</p> <p>DKN   JAMM</p> <p>info@dknjamm.com   www.dknjamm.com   01962 620179</p>
			rev	date	initial	description												
			<p>drawing no: 03-602</p>	<p>revision: -</p>														
<p>drawing: CANTIFX DETAILS</p>	<p>status: PLANNING</p>																	
<p>scale @A1/A3 1:2/1:4</p>	<p>date: MARCH 2023</p>																	