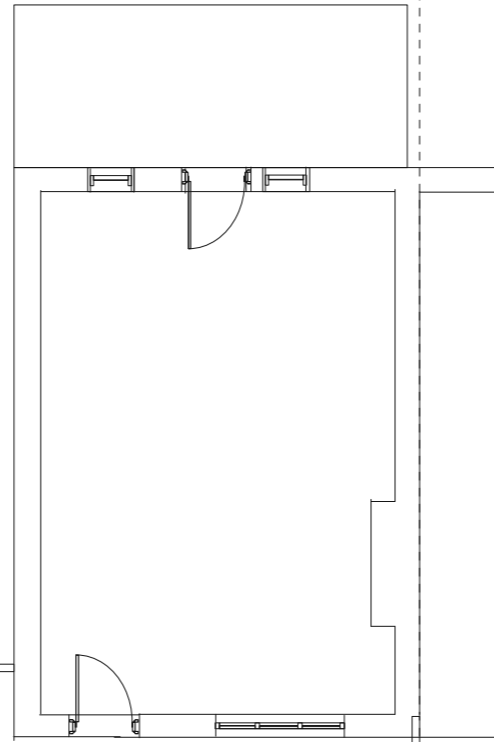
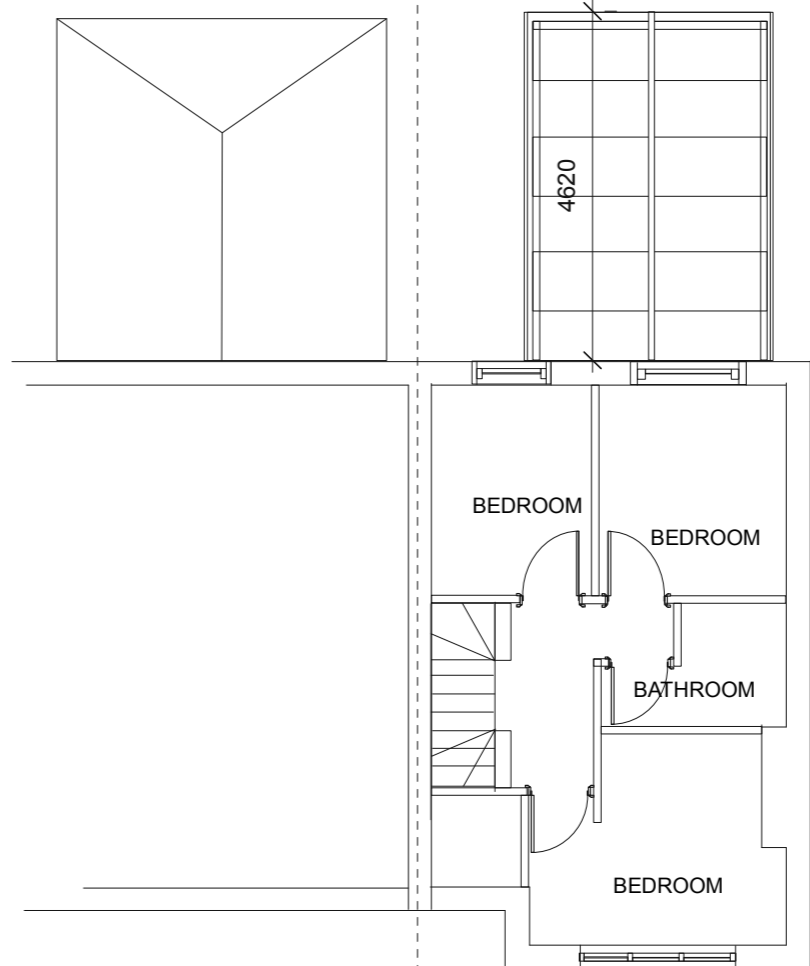


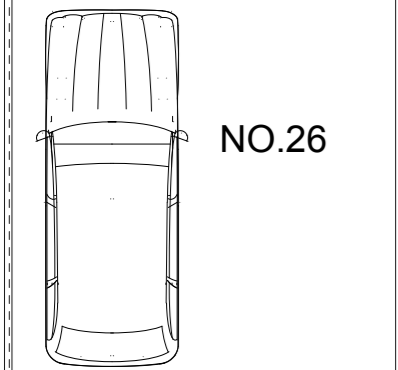
EXISTING GROUND FLOOR PLAN



EXISTING FIRST FLOOR PLAN



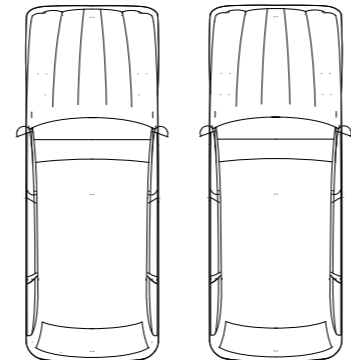
EXISTING SECOND FLOOR PLAN



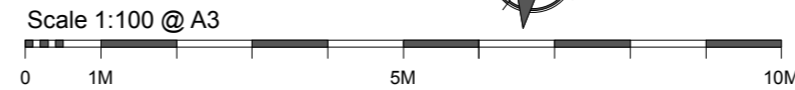
NO.26




NO.24



NO.22



Scale 1:100 @ A3

 www.rr-design.info	Job Title 24 MEAD ROAD, RICHMOND TW107LG	Date 06.02.23
	Drawing Title EXISTING PLANS	Scale 1:100 @ A3
	No MDR/23/01B	Rev