



# SJ Stephens Associates

ARBORICULTURAL, LANDSCAPE &  
MANAGEMENT CONSULTANTS

Savernake Barn  
Stokke Common  
Great Bedwyn  
Marlborough  
Wiltshire SN8 3LL  
Tel: 01672 871 862  
www.sjstephens.co.uk  
e: info@sjstephens.co.uk

## Arboricultural Impact Assessment

- Tree Survey
- Tree Protection Plan
- Arboricultural Method Statement

### For:-

Outbuilding Conversion / Annex

### At:-

Stokes House  
Ham Street  
Richmond  
TW10 7HR

### On behalf of:-

Sean McNicholas & Sarah Taylor  
Bishop's Lodge  
Chisholm Road  
Richmond  
TW10 6JH

### Prepared by:

Simon Stephens MA Oxon, Dip  
Arb(RFS), MArborA, C Env. MICFor  
Email: [simon@sjstephens.co.uk](mailto:simon@sjstephens.co.uk)

Survey Date: 20<sup>th</sup> December 2022  
Report Date: 3<sup>rd</sup> January 2025  
Project no: 2045

## CONTENTS

- 1 BACKGROUND
- 2 SURVEY DETAILS AND SCOPE
- 3 SURVEY LIMITATIONS
- 4 LEGAL PROTECTION OF TREES
- 5 ARBORICULTURAL METHOD STATEMENT
- 6 ARBORICULTURAL IMPACT ASSESSMENT
- 7 REFERENCES

## Appendices

- A Tree Protection Plan: drawing no: 2045-06
- B Tree Schedule
- C BS 5837:2012 - Trees in relation to design, demolition and construction, Table 1
- D Tree Protection Fencing Detail
- E Proposed Site Plan

## 1 BACKGROUND

- 1.1 Planning permission has been approved for an extension and landscape modifications to Stokes House. There are now proposals to convert and extend existing outbuildings to create an annex. This Arboricultural Impact Assessment has been instructed by Michael Jones Architects, on behalf of the owners, to specify tree protection measures and assess the arboricultural impact of the proposals.
- 1.2 Trees were surveyed, with findings shown in the Tree Schedule in Appendix B and plotted on the Tree Protection Plan in Appendix A. This also shows tree protection measures, which are specified in the Arboricultural Method Statement in section 5 below. The arboricultural impact is assessed in section 6, which assumes that these measures are followed.
- 1.3 The tree survey was undertaken, and this report has been prepared, by Simon Stephens MA Oxon, Dip Arb (RFS), MArborA, C Env, MICFor a Registered Consultant with the Arboricultural Association, with over 20 years relevant experience.
- 1.4 This survey and report have been prepared in accordance with the recommendations of BS 5837:2012, Trees in relation to design, demolition and construction - Recommendations.
- 1.5 Documentation supplied:
  - Topographical Survey
  - SJ Stephens Associates, Arboricultural Impact Assessment, dated 21-12-2023
  - Michael Jones Architects, Proposed Site Plan: drawing no1939.03.03.PIn.08.001

## 2 SURVEY DETAILS AND SCOPE

- 2.1 The site survey included trees and shrubs, within and immediately adjacent to the red line boundary, with a stem diameter over 75mm at 1.5m height, as shown located on the Tree Protection Plan, included as Appendix A.
- 2.2 Tree inspection took place from ground level with the use of binoculars, sounding hammer and metal probe using the Visual Tree Assessment method (Mattheck & Breloer 1994). The presence and condition of bark and stem wounds, cavities, decay, fungal fruiting bodies and any structural defects that could increase the risk of structural failure were noted.
- 2.3 Tree diameters were measured using a girthing tape and tree heights were measured using a hypsometer. Where use of a tape was restricted by site factors, diameters were estimated, with the diameter recorded in the tree schedule as eg “est 300”.
- 2.4 At the time of the survey, the weather was fine with no restrictions to visibility. Broadleaf trees were not in leaf. There were no limitations to access around the trees within the site.
- 2.5 Tree details are shown on the Tree Protection Plan included as Appendix A. Tree locations have been taken from the topographical survey provided. Where not included on the topographical survey, they have been determined by measuring distances from features shown on the plan, using a laser measuring device. The following information was recorded for each tree, and is shown in the Tree Schedule included as Appendix B:
- **Number:** an identity number for each tree, prefixed with a “T”, which cross references locations shown on the plan with the schedule in Appendix B. Where a number of trees are located close together and are similar in character and management requirements, they have been treated as a Group under a single number, prefixed with a “G”.
  - **Species:** common name.
  - **Tree height:** approximate height in metres.
  - **Stem diameter:** diameter in millimetres, taken at 1.5m above ground. Where there are a number of stems, stem diameters are recorded in the condition column.
  - **Branch spread:** approximate spread in metres to N,S,E and W of the trunk. The approximate branch spread is drawn on the plan.
  - **Canopy clearance:** approximate height of the canopy above ground. Where a significant, low lateral branch is present, its height and direction of growth is included in the Condition column.
  - **Age class:** Young, Semi-mature, Early mature, Mature, Over-mature, Veteran.
  - **Condition:** features that affect the safe useful life expectancy and amenity of the tree, including the presence of decay or any physical defect.
  - **Management Recommendations:** recommendations to ensure the health and safety of the tree, within the future development.
  - **Estimated Remaining Contribution:** <10 years, 5-15 years, 10-20 years, 15-30 years, 20-40 years, >40 years.

- **Category grading:** tree classification taken from BS 5837:2012, Trees in relation to design, demolition and construction (see Appendix C for details), as follows:
  - Category U: Unsuitable for retention, trees with less than 10 years life expectancy, normally recommended for removal (Red)
  - Category A: high quality trees, able to make a substantial contribution for at least 40 years, normally retained unless there is an over-riding reason for removal and appropriate mitigation. (Green)
  - Category B: moderate quality trees, able to make a significant contribution for at least 20 years, normally retained. (Blue)
  - Category B/C: an intermediate category between categories B and C (not specifically described in BS5837). Trees, which should be retained wherever possible, providing retention does not unreasonably constrain the layout. (Blue)
  - Category C: low quality, in adequate condition to remain for at least 10 years, or young trees <150mm stem diameter. Trees which can be removed to allow the desired layout or new planting. (Grey)

For category A, B and C trees, a subcategory has been allocated, providing information on the reasons for selection of a specific category, as follows:

- Subcategory 1: mainly arboricultural values.
  - Subcategory 2: mainly landscape values.
  - Subcategory 3: mainly cultural values, including conservation.
- Trees have been classified irrespective of the possible proximity to future construction. The BS 5837 category is colour coded, as indicated above, on the plan included as Appendix A.
  - **Protection Distance:** the protection distance in metres required to provide the Root Protection Area recommended in BS 5837, assuming a circular area centred on the tree.
  - **Root Protection Area (RPA):** the area in m<sup>2</sup>, as recommended in BS 5837, to provide sufficient rooting area to ensure tree survival and which, in most situations, should be fenced off to prevent root damage from construction activities.

### 3 SURVEY LIMITATIONS

- 3.1 No internal decay devices, or other invasive tools to assess tree condition, were used.
- 3.2 No soil excavation or root inspection was carried out.
- 3.3 This survey has not considered the effect that trees or vegetation may have on the structural integrity of future building through subsidence or heave.

- 3.4 The tree survey has been undertaken for planning purposes. Although any obvious structural defects have been noted, a Tree Hazard Assessment has not been carried out. Mature trees close to highly populated areas or public highways should normally be checked for safety annually, by a suitably qualified person.

## **4 LEGAL PROTECTION OF TREES**

- 4.1 The London Borough of Richmond Upon Thames has a Tree Preservation Order (08/T0237) which protects trees as indicated on the tree schedule in Appendix B and as shown on the Tree Protection Plan.
- 4.2 In addition, since the site is covered by a Conservation Area, six weeks notification must be given to the Local Planning Authority of any intended tree surgery works to any tree, to allow them the option of placing a Tree Preservation Order.
- 4.3 Once planning permission has been granted, provided the application clearly shows any trees to be removed or pruned, this overrides protection provided by Tree Preservation Orders or Conservation Areas, provided the work is necessary to implement the approved development. If not essential, a separate tree work application will need to be submitted for trees protected by a Tree Preservation Order.

## **5 ARBORICULTURAL METHOD STATEMENT**

### **5.1 Site Overview**

- 5.1.1 The proposed site plan is included as Appendix E. As shown on the Tree Protection Plan, the new annex will “square off” the line of the existing outbuildings with a small extension to provide useable interior space.
- 5.1.2 The garden contains some fine trees including a mature lime, T20, and a silver maple, T25. These are mostly located on the northern side of the garden, well away from any construction work, however the mulberry, T29, consisting of four leaning, partly decayed stems is adjacent to the annex.

### **5.2 Tree Work**

- 5.2.1 The only tree work proposed as a result of this application, is the removal of two short sections of yew hedge, G28. Details of proposed tree works are included in the Tree Schedule included as Appendix B.

### 5.3 Root Protection Areas

- 5.3.1 Root Protection Areas are shown for all trees in the tree schedule included as Appendix B. They are also shown for all retained trees, as circular areas centred on the trunk, on the Tree Protection Plan included as Appendix A. Where there are physical obstructions to root growth the Root Protection Area should be shown as an equivalent area that is more likely to reflect actual root growth. The Root Protection Area shows the area around a tree in which all construction activity must normally be excluded, unless appropriate protection measures are implemented.
- 5.3.2 For tree number T20, where the road within the Root Protection Area will have inhibited root growth, the Root Protection Area has been offset by 20% away from the road, to more closely reflect the likely actual root spread

### 5.4 Tree Protection Fencing

- 5.4.1 Tree Protection Fencing must be erected where shown on the Tree Protection Plan, included as Appendix A. This will provide full protection of the Root Protection Areas of all retained trees within the site, other than for:
- areas hatched in blue on the Tree Protection Plan, where No-Dig Construction must be used, as described in section 5.5 below, to protect underlying roots.
  - areas hatched/shaded cyan on the Tree Protection Plan, indicating Ground Protection Areas, where roots must be protected, as described in section 5.6 below.
  - the area cross hatched red on the Tree Protection Plan, where there will be excavation at the edge of the Root Protection Area of T29, but where hand excavation must be used, as described in section 5.7, to minimise any possible root damage.
- 5.4.2 Tree works can be completed before Tree Protection Fencing is erected, however no contractors plant or vehicles must be allowed to track within the Root Protection Areas unless ground protection panels are laid.
- 5.4.3 Tree Protection Fencing must be from weldmesh panels, at least 2m high, securely fixed, with wire or scaffold clamps, to a rigid framework. This framework must be constructed from scaffold tubes with vertical tubes, at a maximum interval of 3m and driven into the ground at least 0.6m. The structure must be well braced to resist impacts, constructed as per Figure 2 of BS5837:2012, which is reproduced in Appendix D.
- 5.4.4 After erection of Tree Protection Fencing and installation of ground protection, 2 days notice must be given to the Local Planning Authority before demolition or construction, including any ground work, starts on site.

- 5.4.5 Tree Protection Fencing must be maintained and retained for the duration of the works, or until such time as agreed in writing with the Local Planning Authority.
- 5.4.6 Weatherproof notices must be fixed to the Tree Protection Fencing, and maintained, stating:-

**TREE PROTECTION AREA**

**KEEP OUT**

TREES ENCLOSED BY THIS FENCE ARE PROTECTED BY PLANNING CONDITIONS  
TREE PRESERVATION ORDERS AND CONSERVATION AREA STATUS  
CONTRAVENTION MAY LEAD TO CRIMINAL PROSECUTION  
THE FOLLOWING MUST BE OBSERVED BY ALL PERSONS:

- The Protection Fence must not be moved
- No person or machine must enter the area
- No materials or spoil must be deposited
- No excavation must be permitted

ANY INCURSION INTO THE PROTECTED AREA MUST BE WITH THE WRITTEN  
PERMISSION OF THE LOCAL PLANNING AUTHORITY

## **5.5 No-Dig Construction Areas**

- 5.5.1 The No-Dig areas, shown hatched blue on the Tree Protection Plan included as Appendix A, must be constructed without excavation apart from the removal of turf/organic matter, which must be carried out by hand. Excavators, dumpers and other site traffic must not be allowed to track on the No-Dig areas until roots are protected by the No-Dig surfacing or ground protection.
- 5.5.2 Engineering details must avoid localised compaction, using both a two dimensional geogrid, and a three dimensional cellular confinement system as integral components of the sub-base. A typical section is shown on the Tree Protection Plan included as Appendix A. As well as being fit for purpose, the design and methodology must protect tree roots, by ensuring the following:-
- topsoil/turf can be removed carefully by hand to a maximum of 75mm, but less if roots are found nearer the surface.
  - following leveling with soil or sand, a permeable, non-woven geotextile membrane, must be laid.
  - a suitable two dimensional geogrid, such the TriAx Geogrid supplied by Tensar International ([www.tensar.co.uk](http://www.tensar.co.uk)), or the Biaxial Geogrid supplied by Geosynthetics Ltd ([www.geosyn.co.uk](http://www.geosyn.co.uk)), must be laid over the entire area and underneath the edging.
  - pressure treated timber edging boards, supported by driven stakes must be used.
  - a suitable cellular confinement system must then be laid to manufacturers instructions on top of the geogrid. Products that might be considered include Geoweb, supplied by Greenfix ([www.greenfix.co.uk](http://www.greenfix.co.uk)) or Cellweb, supplied by Geosynthetics Ltd ([www.geosyn.co.uk](http://www.geosyn.co.uk)). The depth of the system must be adequate to take the maximum axle weight, as per manufacturers guidance.

- the cellular confinement system must be filled with clean (no fines), washed angular, 20/40mm, stone to provide load support, while allowing air and moisture to permeate to the root zone.
- a further permeable, non-woven geotextile membrane, such as TreetexT300, or an alternative approved product which has similar oil trapping qualities, must be laid over the cellular confinement system.
- a porous, surfacing material, free from contaminants, must then be laid. Either sand bedding and block paving, gravel or permeable tarmac would be suitable.
- removed turf/topsoil can be used to grade surrounding ground levels.

5.5.3 No-Dig construction will result in an increase in levels. This must be fully taken account of in all other aspects of the design.

## 5.6 Ground Protection Areas

5.6.1 The Ground Protection Areas, which are hatched cyan on the Tree Protection Plan, contain hard surfacing which is protecting any underlying roots and which must stay in place during the construction period unless further protection measures are implemented.

5.6.2 The Ground Protection Areas, which are shaded cyan on the Tree Protection Plan, contain soft areas where ground protection must be laid to protect any underlying roots. Either 25mm plywood or side butting scaffold boards, on top of a compressible layer of sand or woodchips, laid onto a geotextile can be used. Alternatively, Maxitrack mats, as supplied by the Marwood Group, ([www.marwoodgroup.co.uk](http://www.marwoodgroup.co.uk)) or Euro Mat or Pro Mat panels, from Ground Guards ([www.ground-guards.co.uk](http://www.ground-guards.co.uk)), or a similar approved recycled product, can be used, laid on a compressible layer of sand or woodchips, laid onto a geotextile, with adjacent panels held together with connectors.

## 5.7 Hand Dig Area

5.7.1 The Hand Dig area, shown cross-hatched red on the Tree Protection Plan, must be dug to formation level by hand, neatly severing any roots found, using secateurs or a hand saw.

5.7.2 Heavy-duty polythene must be used to line the side of the area, adjacent to the trees, before concrete is poured, to avoid the toxic effects of cement on tree roots.

5.7.3 On no account must use of an excavator be used in the Hand Dig areas, which would rip roots and cause unnecessary damage.



## **5.8 General measures**

- 5.8.1 No construction activity whatsoever, including routing of underground services, storage of materials or on-site parking, must be allowed within Root Protection Areas, other than that specifically described above.
- 5.8.2 No mixing or storage of cement, concrete, oil, fuel, bitumen or other chemicals must be permitted within 10m of the trunk of any retained trees, nor in any position where the slope of the ground could lead to contamination of the Root Protection Area.
- 5.8.3 Fires must not be lit in a position where their flames could extend to within 10m of foliage, branches or trunk.
- 5.8.4 Landscape works carried out within Root Protection Areas must be undertaken with great care so as not to damage shallow roots. Tractor mounted rotovators or other heavy mechanical cultivation must not be used within the Root Protection Areas.
- 5.8.5 If any tree shown for retention is removed, uprooted or destroyed, another tree must be planted in the same location, at a size and species to be agreed in writing with the Local Planning Authority.
- 5.8.6 A copy of this report and the Tree Protection Plan must be kept on site and must be fully understood by the Site Agent.

## **5.9 Bat roosts**

- 5.9.1 The current legislation makes it a criminal offence to disturb, damage or destroy any bat roost or hibernation area. Contractors must be reminded of their responsibilities and should contact the relevant authorities if any signs of bats are found.

## **5.10 Birds**

- 5.10.1 The current legislation makes it a criminal offence to disturb nesting birds. The nesting season is generally assumed to be from 1<sup>st</sup> March to 31<sup>st</sup> July, however this can vary depending on species and location. During these months a careful inspection must be made before work commences and works must be postponed if active nests are found.

## 5.11 Arboricultural Supervision

5.11.1 A qualified Arboricultural Consultant must be retained during the period of construction to carry out the following:

- to liaise with the contractor, prior to construction or demolition starting on site, to ensure this Arboricultural Method Statement is fully understood and can be complied with in full. If any revisions are required, a revised Arboricultural Method Statement must be approved by the Local Planning Authority, prior to construction work starting on site.
- as necessary, to advise on any issues at the request of the local planning authority, the developer, architect or contractor.

The details of any site visit must be recorded using a site visit proforma, with copies circulated to the contractor, developer and the local authority Tree Officer within 3 working days of the visit.

## 6 ARBORICULTURAL IMPACT ASSESSMENT

- 6.1 The only tree work proposed as a result of this application, is the removal of two short sections of yew hedge, G28, which will have no significant landscape or environmental impact.
- 6.2 Protection measures have been specified to protect the Root Protection Area of all retained trees, other than for T28, where there will be excavation within approximately 3m<sup>2</sup>, or 4% of the Root Protection Area. This is unlikely to have any impact on the tree.
- 6.3 Provided the recommendations in this report are followed, there is unlikely to be any significant arboricultural impact of these proposals.

## 7 REFERENCES

- *BS5837:2012 Trees in relation to design, demolition and construction – Recommendations.*
- *BS3998:2010 Tree Work. Recommendations.*
- *Common sense risk management of trees (FCMS024). Published by the National Tree Safety Group ([www.ntsgroup.org.uk](http://www.ntsgroup.org.uk))*
- *The use of Cellular Confinement systems near Trees: a guide to good practice Arboricultural Association Guidance Note 12.*

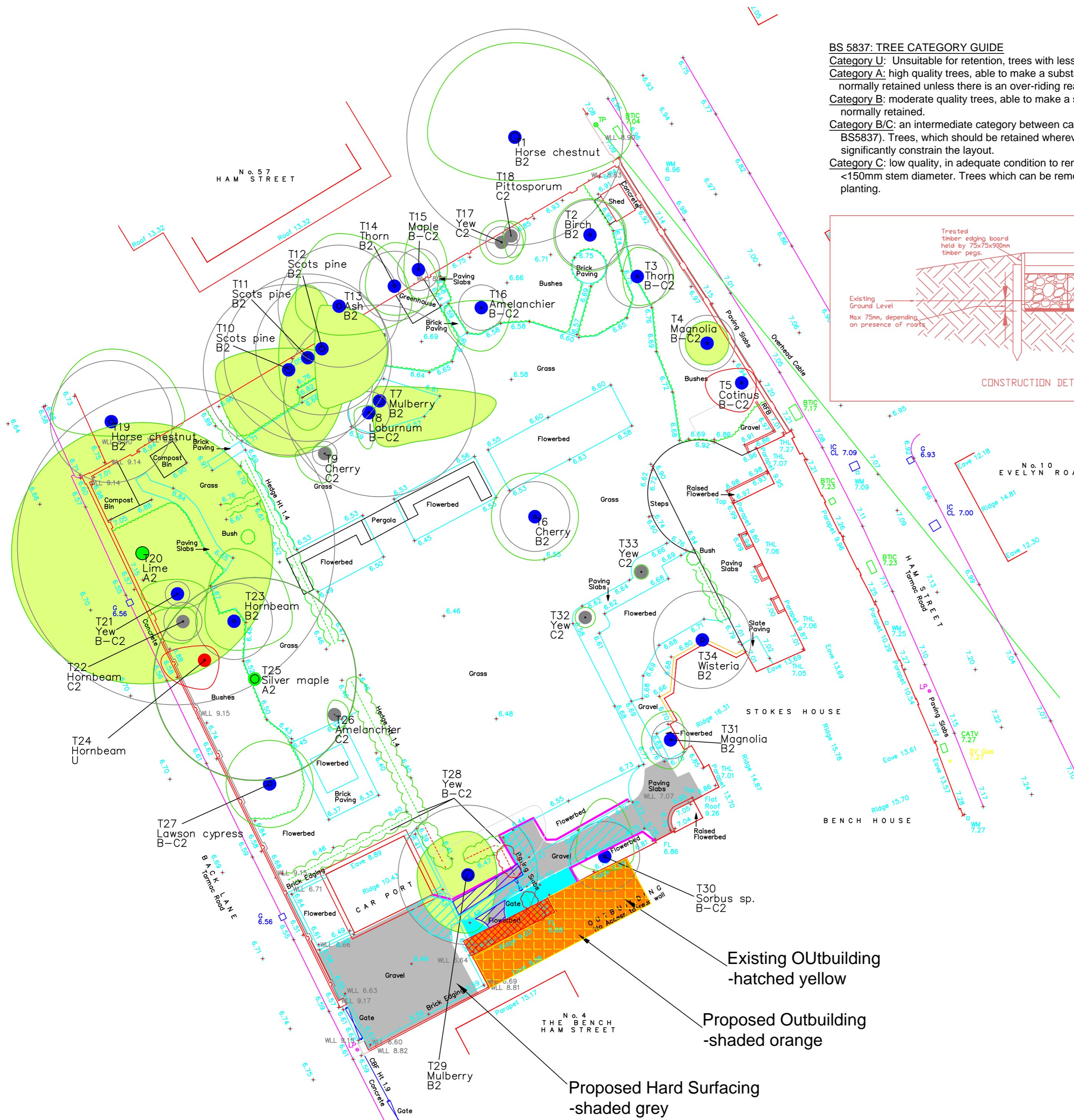
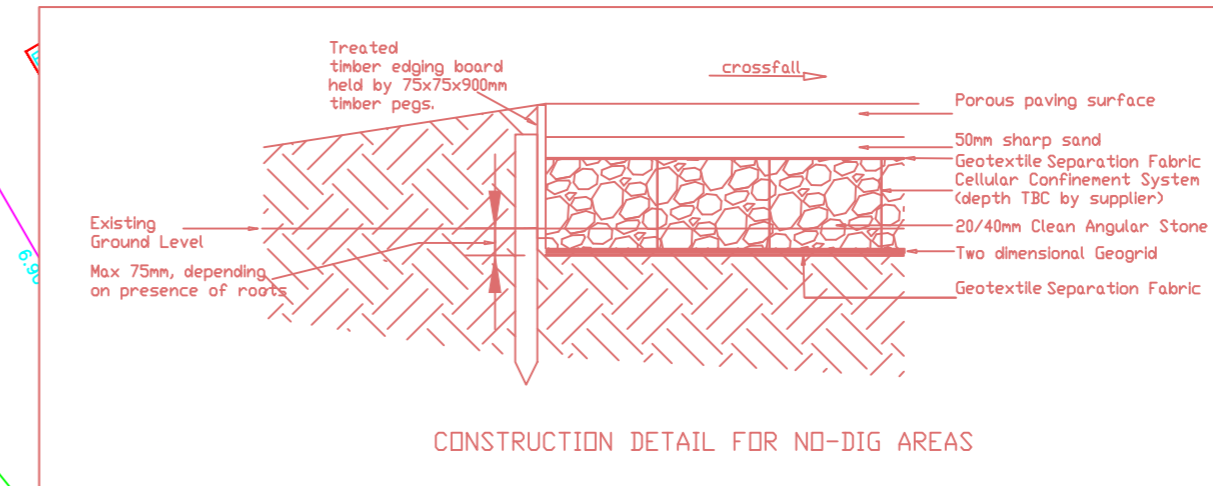
**BS 5837: TREE CATEGORY GUIDE**

- Category U:** Unsuitable for retention, trees with less than 10 years life expectancy.
- Category A:** high quality trees, able to make a substantial contribution for at least 40 years, normally retained unless there is an over-riding reason for removal and appropriate mitigation.
- Category B:** moderate quality trees, able to make a significant contribution for at least 20 years, normally retained.
- Category B/C:** an intermediate category between categories B and C (not specifically described in BS5837). Trees, which should be retained wherever possible, providing retention does not significantly constrain the layout.
- Category C:** low quality, in adequate condition to remain for at least 10 years, or young trees <150mm stem diameter. Trees which can be removed to allow the desired layout or new planting.

**APPENDIX A**

**Key**

- Category U
- Category A
- Category B
- Category C
- Crown spread: retained trees
- Crown spread: Tree Preservation Order
- Trees For Removal
- Root Protection Area
- Ground Protection Area: existing hard surface
- Ground Protection Area: soft landscape
- Hand Dig Area
- No-Dig Construction



**SJ Stephens Associates**  
 Savernake Barn, Stokke Common  
 Great Bedwyn  
 Marlborough  
 Wiltshire SN8 3LL  
 01672 871862  
 www.sjstephens.co.uk

**JOB TITLE**  
 STOKES HOUSE  
 -PROPOSED OUTBUILDING CONVERSION  
 / ANNEX

**DRAWING TITLE**  
 TREE PROTECTION PLAN

<b>DRAWING NUMBER</b> 2045-06	<b>REV</b>
<b>REVISIONS</b>	
<b>SCALE</b> 1:200 at A2	<b>DATE</b> JAN 25
<b>DRAWN BY</b> sjss	

Tree/ Group No.	TPO ref	Species	Height (m)	Stem Diam. at 1.5m (mm)	Branch Spread (m)				Canopy Cleara- -nce (m)	Age Class	Observations	Management Recommendations	Estimated Remaining Contribution (years)	BS 5837 Category Grading	Protect- ion Distnce (m)	Root Protect. Area (m2)
					N	S	E	W								
T1		Horse chestnut	10	est620	6.5	3	8	6	1.6	Mature	Growing in adjacent site - base not inspected. Three main stems from 2m, all leaning to north.	20-40	B2	7.4	174	
T2		Birch	12	200	2.5	2.5	2.5	2.5	1.7	Early mature	Twin stems - 140 and 150mm diameter. Attractive tree.	15-30	B2	2.4	18	
T3		Thorn	3	180	2	2	2.5	1	1.6	Mature	Twin stems - 70 and 160mm diameter. Good crown shape.	15-30	B-C2	2.2	15	
T4	T17	Magnolia	4	160	1.5	1.5	1.5	1.5	1.2	Semi mature	Moderate vigour.	15-30	B-C2	1.9	12	
T5		Cotinus	3.5	150	1	2	1	2.5	1.7	Mature	To be removed as per planning approval	15-30	B-C2	1.8	10	
T6		Cherry	4	200	3	3	3	3	1.2	Mature	Ornamental variety. Various decay pockets. Attractive tree.	15-30	B2	2.4	18	
T7	T11	Mulberry	4.5	550	1	3	8	0.5	0	Mature	Windblown approx 20 years ago, but still surviving with fresh shoots. Attractive feature.	10-20	B2	6.6	137	
T8		Laburnum	2.5	120	0.5	2.5	0.5	1	1.6	Early mature	Attractive small tree, leaning to south.	15-30	B-C2	1.4	7	
T9		Cherry	1.9	70	0.5	2	0.5	2	1.1	Semi mature	Ornamental variety.	10-20	C2	0.8	2	
T10	T8	Scots pine	16	490	1.5	6	4	5	3.5	Early mature	Growing as part of a group with T11 and T12. Ivy. Good vigour.	20-40	B2	5.9	109	
T11	T9	Scots pine	17	480	5	5	2	2	2	Early mature	Good vigour	20-40	B2	5.8	104	
T12	T10	Scots pine	17	380	3	4	4.5	0.5	4	Early mature	Good vigour	20-40	B2	4.6	65	
T13		Ash	13.5	est350	5	2	5	3	2.5	Early mature	Growing in adjacent site - base not inspected. Good vigour at present, but susceptible to disease.	15-30	B2	4.2	55	
T14		Thorn	8	est200	3	2	3	2	1.7	Mature	Growing in adjacent site - base not inspected.	15-30	B2	2.4	18	
T15		Maple	4	est120	3	2	2	1	1.7	Semi mature	Growing in adjacent site - base not inspected. Good vigour.	20-40	B-C2	1.4	7	
T16		Amelanchier	3.5	130	0.5	3	2	2.5	0.3	Early mature	Three stems -60, 70 and 90mm.	10-20	B-C2	1.6	8	
T17		Yew	4	9	1.5	1.5	1.5	1.5	0.3	Semi mature		>40	C2	0.1	0	
T18		Pittosporum	3.5	50	1	1.5	1	0.5	1.6	Semi mature	Drawn up.	15-30	C2	0.6	1	
T19		Horse chestnut	9	est350	5	1	5	4	2.5	Early mature	Growing in adjacent site - base not inspected.	20-40	B2	4.2	55	

Tree/ Group No.	TPO ref	Species	Height (m)	Stem Diam. at 1.5m (mm)	Branch Spread (m)				Canopy Cleara- nce (m)	Age Class	Observations	Management Recommendations	Estimated Remaining Contribution (years)	BS 5837 Category Grading	Protect- ion Distnce (m)	Root Protect. Area (m2)	
					N	S	E	W									
T20	T6	Lime	20	910	9	9	9	9	2.5	Mature	Twin stems - 600 and 680mm diameter. Fine tree. Three cable braces.		>40	A2	10.9	374	
T21		Yew	2	70	1	1	2	2.5	0	Semi mature	Good potential.		>40	B-C2	0.8	2	
T22		Hornbeam	5	110	1	1.5	1	2.5	1.5	Semi mature	Growing under canopy of T20.		15-30	C2	1.3	5	
T23		Hornbeam	9	220	5	2	4	2		Semi mature	Good vigour. Low branches removed.		>40	B2	2.6	22	
T24		Hornbeam	4	110	1	2	1	3	2	Semi mature	Dieing back. To be removed as per planning approval.		<10	U	1.3	5	
T25		Silver maple	16	580	7	7	7	7	3	Early mature	Good vigour. Good crown shape.		>40	A2	7.0	152	
T26		Amelanchier	2	30	1	1	1	0.5	1.6	Semi mature	Small growing tree.		15-30	C2	0.4	0	
T27		Lawson cypress	10.5	300	3	3	3	3	0.2	Early mature	Twin stems - 260 and 150mm diameter. Ivy. Dieback of interior foliage.		15-30	B-C2	3.6	41	
G28		Yew	1.6	25-75						0	Early mature	Good quality dense hedge. 1m wide. Regularly clipped.	Remove two small sections adjacent to annex.	20-40	B-C2	0.9	3
T29		T1	Mulberry	4.5	400	3	4	2	3.5	0	Mature	Four shoots, average 200mm, from leaning and decayed stem.		15-30	B2	4.8	72
T30	Sorbus sp.		4	200	4	1	2	2	1.5	Early mature	5 stems from base - av 90mm.		15-30	B-C2	2.4	18	
T31	Magnolia		7	110	2	2	1	2	1.3	Semi mature	Good vigour.		>40	B2	1.3	5	
T32	Yew		1.9	75	0.7	0.7	0.7	0.7	0	Semi mature	Tightly clipped feature.		>40	C2	0.9	3	
T33	Yew		2	75	0.5	0.5	0.5	0.5	0	Semi mature	Tightly clipped feature.		>40	C2	0.9	3	
T34	Wisteria		3.5	280						0.5	Mature	Tied to house. Ancient creeper. Main stem decayed but an attractive feature.		10-20	B2	3.4	35

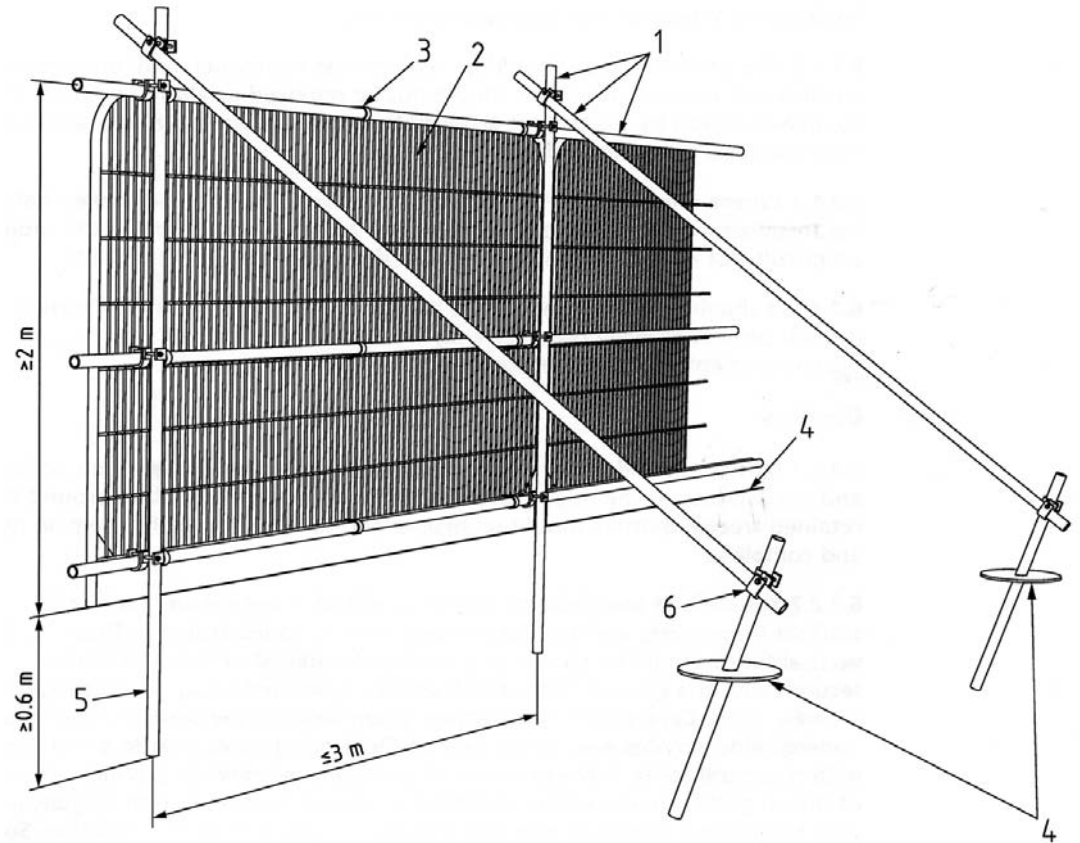
**BS 5837:2012, Table 1 Cascade chart for tree quality assessment**

Category and definition	Criteria (including subcategories where appropriate)			Identification on plan
<b>Trees unsuitable for retention (see Note)</b>				
<b>Category U</b> Those in such a condition that they cannot realistically be retained as living trees in the context of the current land use for longer than 10 years	<ul style="list-style-type: none"> <li>Trees that have a serious, irremediable, structural defect, such that their early loss is expected due to collapse, including those that will become unviable after removal of other category U trees (e.g. where, for whatever reason, the loss of companion shelter cannot be mitigated by pruning)</li> <li>Trees that are dead or are showing signs of significant, immediate, and irreversible overall decline</li> <li>Trees infected with pathogens of significance to the health and/or safety of other trees nearby, or very low quality trees suppressing adjacent trees of better quality</li> </ul> <p><i>NOTE Category U trees can have existing or potential conservation value which it might be desirable to preserve; see 4.5.7.</i></p>			See Table 2
	<b>1 Mainly arboricultural qualities</b>	<b>2 Mainly landscape qualities</b>	<b>3 Mainly cultural values, including conservation</b>	
<b>Trees to be considered for retention</b>				
<b>Category A</b> <b>Trees of high quality</b> with an estimated remaining life expectancy of at least 40 years	Trees that are particularly good examples of their species, especially if rare or unusual; or those that are essential components of groups or formal or semi-formal arboricultural features (e.g. the dominant and/or principal trees within an avenue)	Trees, groups or woodlands of particular visual importance as arboricultural and/or landscape features	Trees, groups or woodlands of significant conservation, historical, commemorative or other value (e.g. veteran trees or wood-pasture)	See Table 2
<b>Category B</b> <b>Trees of moderate quality</b> with an estimated remaining life expectancy of at least 20 years	Trees that might be included in category A, but are downgraded because of impaired condition (e.g. presence of significant though remediable defects, including unsympathetic past management and storm damage), such that they are unlikely to be suitable for retention for beyond 40 years; or trees lacking the special quality necessary to merit the category A designation	Trees present in numbers, usually growing as groups or woodlands, such that they attract a higher collective rating than they might as individuals; or trees occurring as collectives but situated so as to make little visual contribution to the wider locality	Trees with material conservation or other cultural value	See Table 2
<b>Category C</b> <b>Trees of low quality</b> with an estimated remaining life expectancy of at least 10 years, or young trees with a stem diameter below 150 mm	Unremarkable trees of very limited merit or such impaired condition that they do not qualify in higher categories	Trees present in groups or woodlands, but without this conferring on them significantly greater collective landscape value; and/or trees offering low or only temporary/transient landscape benefits	Trees with no material conservation or other cultural value	See Table 2

Figure 2

**Key**

- 1 Standard scaffold poles
- 2 Heavy gauge 2 m galvanised tube and welded mesh infill panels
- 3 Panels secured to uprights and cross-members with wire ties
- 4 Ground level
- 5 Uprights driven into the ground until secure (minimum depth 0.6 m)
- 6 Standard scaffold clamps



**Examples of above-ground stabilising systems**

Figure 3a

Stabiliser strut with base plate secured with ground pins

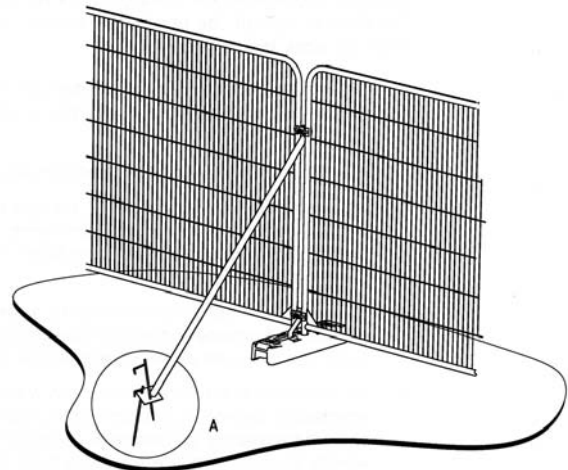
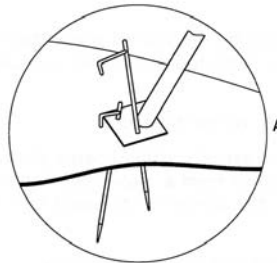
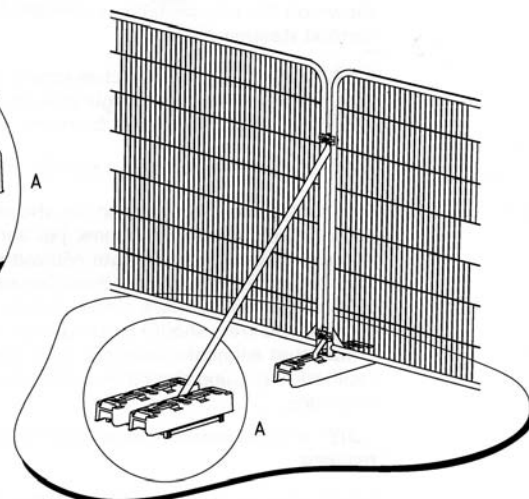
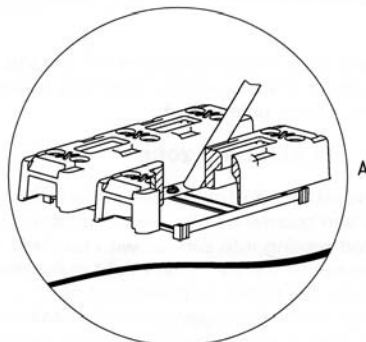
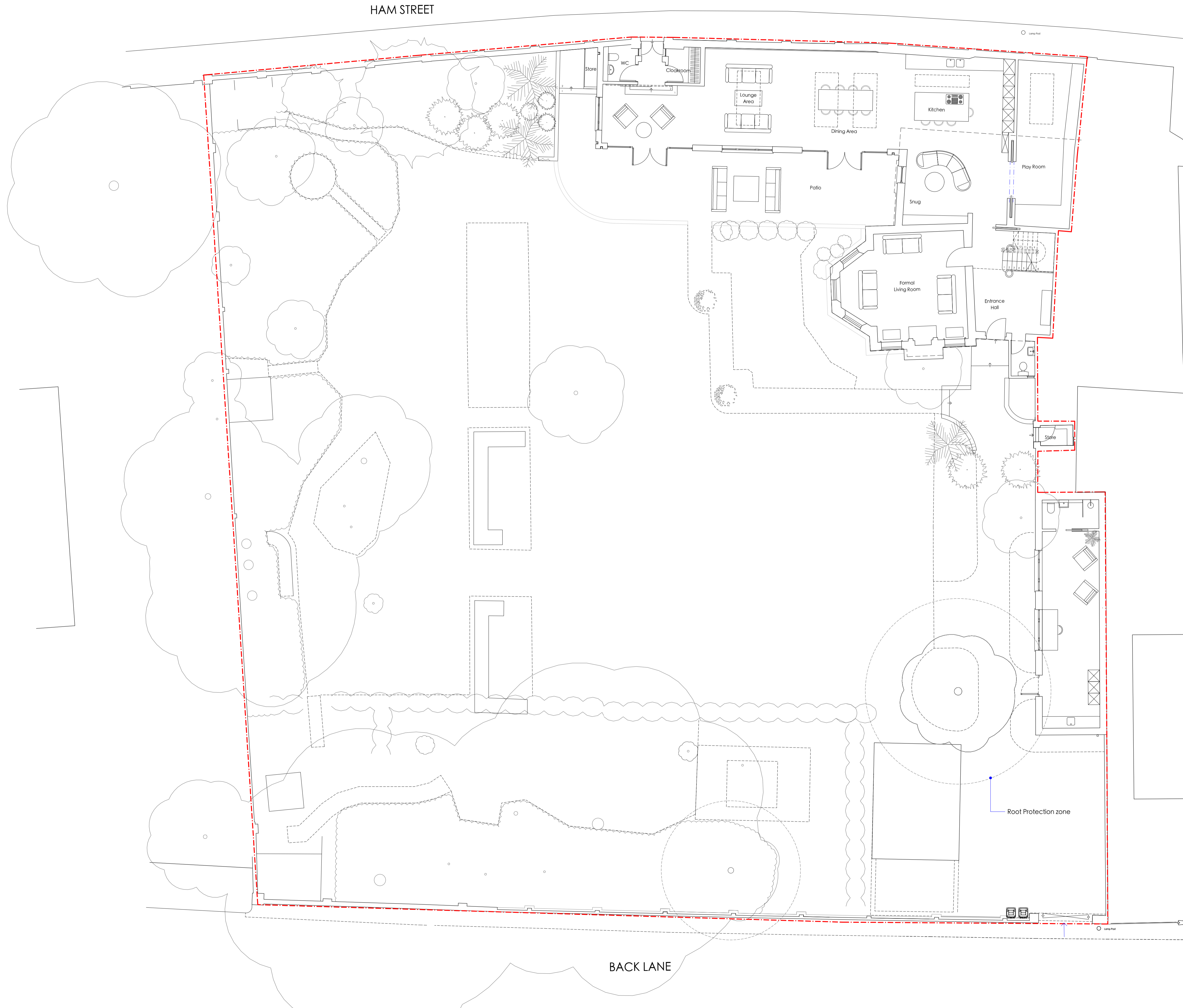


Figure 3b

Stabiliser strut mounted on block tray





revisions

drawing title

Proposed Site Plan

drawing number

1939.03.03.Pln.08.001

job title

Stokes House, Ham Street

client

Sean & Sarah McNicholas

scale 1:100 @ A1

date Dec 2024

drawn by KH

checked by AB

MICHAEL JONES ARCHITECTS

020 8948 1863 | 129 Kew Road, Richmond, TW9 2PN  
www.mjarchitects.co.uk | studio@mjarchitects.co.uk