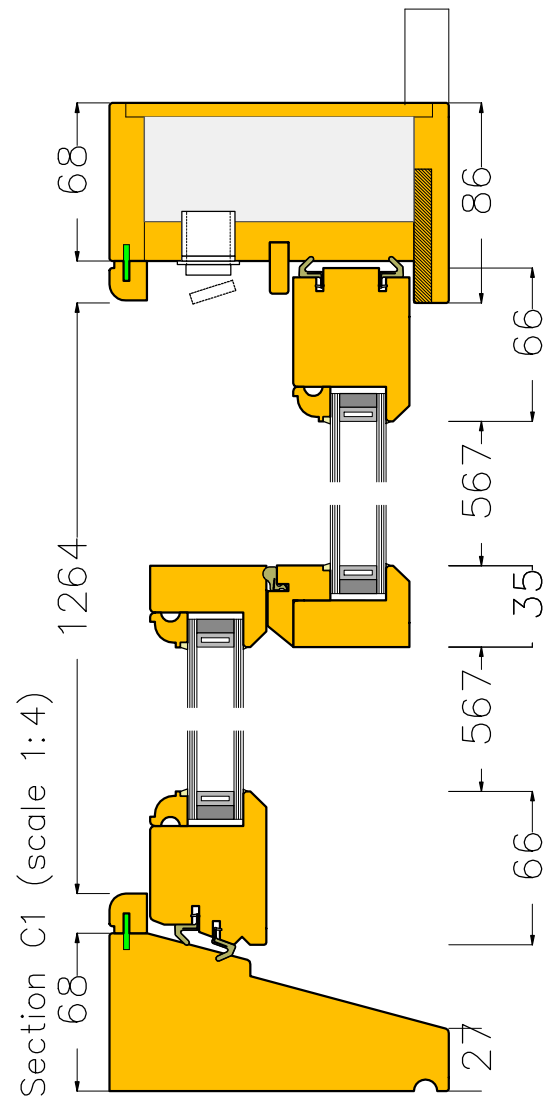
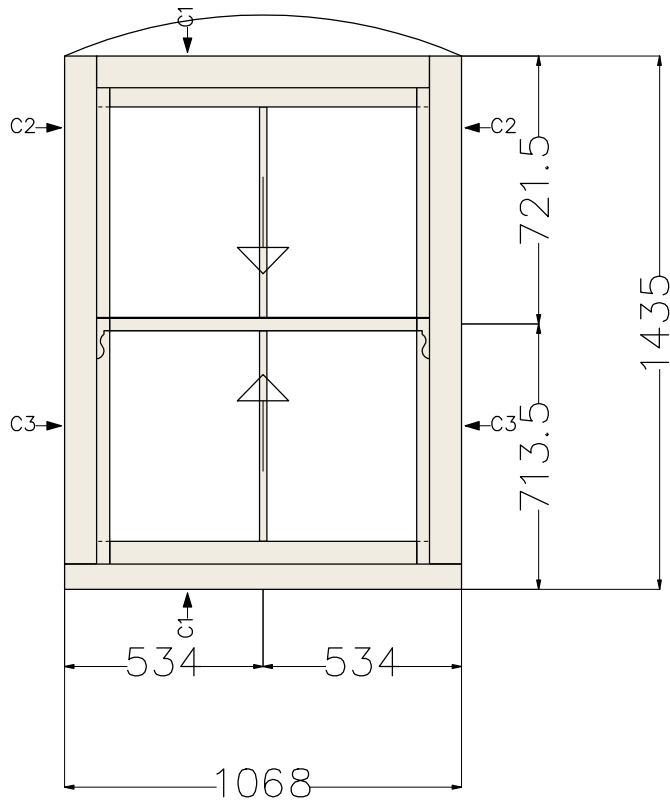
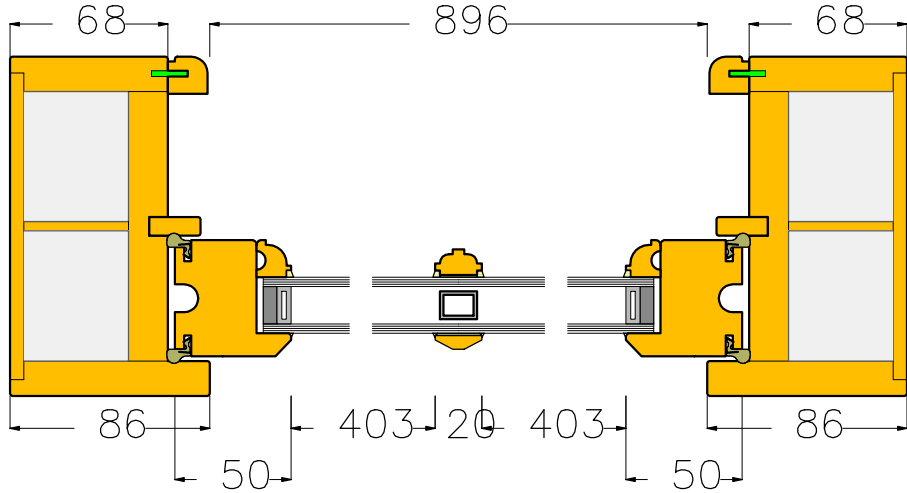


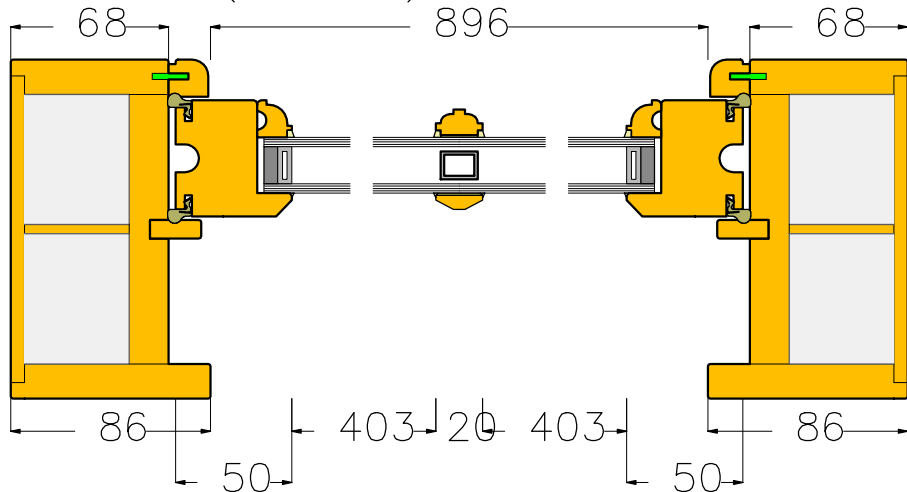
View from outside (scale 1:25)



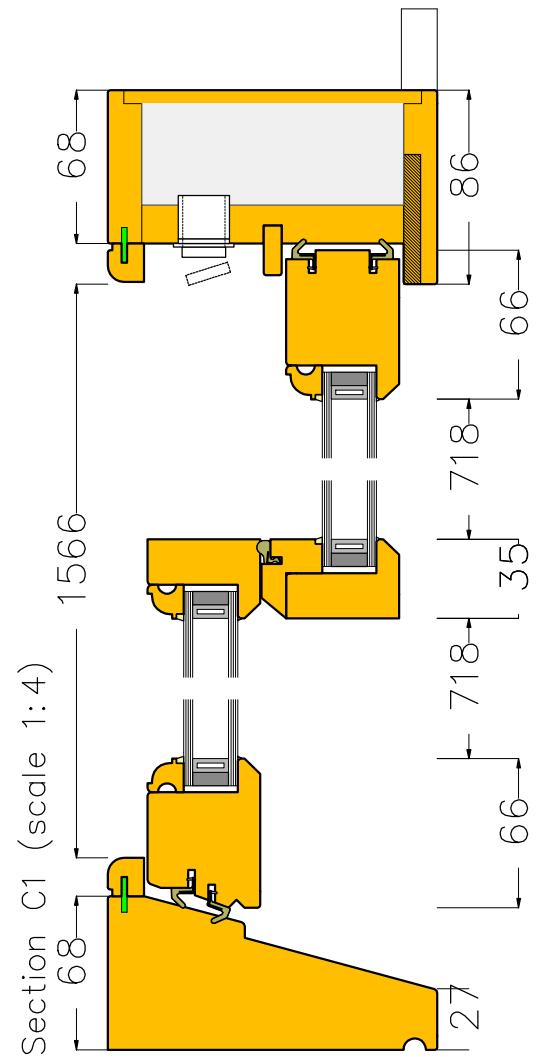
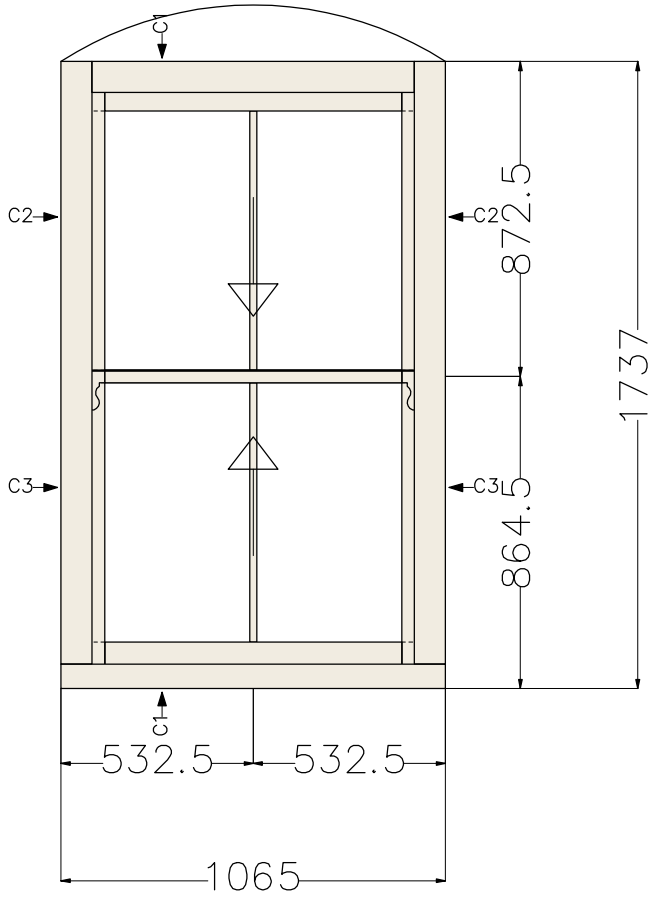
Section C2 (scale 1:4)



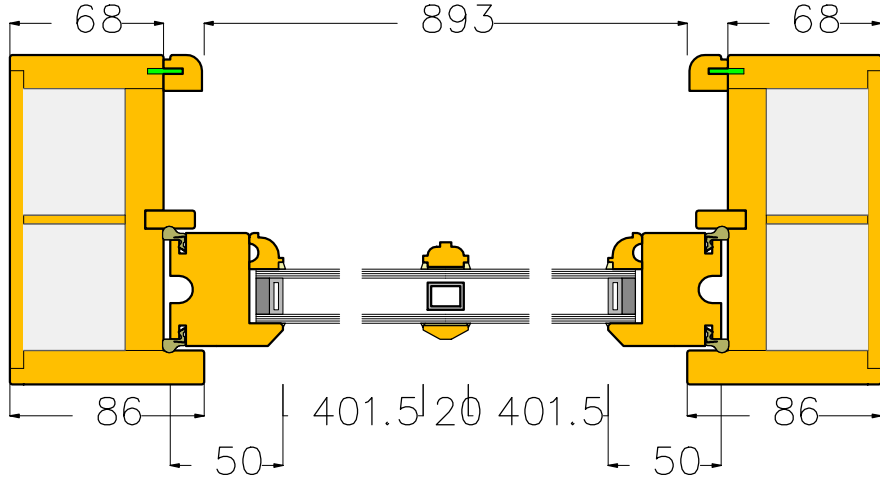
Section C3 (scale 1:4)



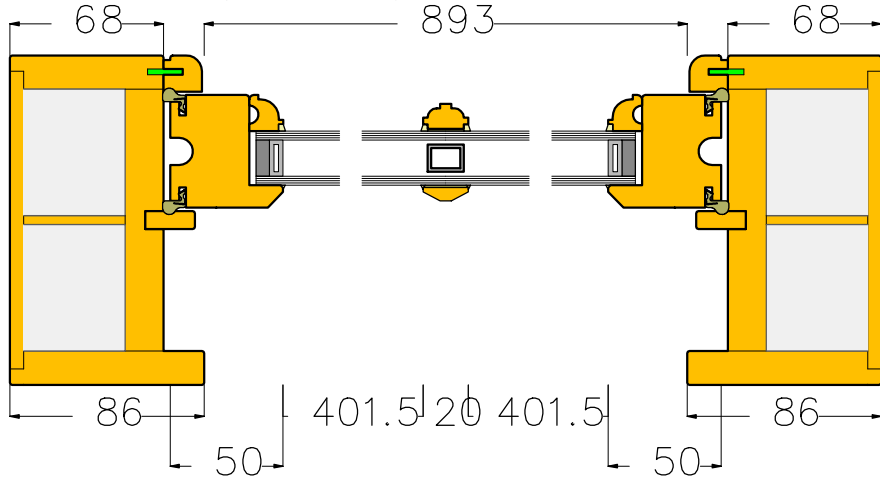
View from outside (scale 1:25)



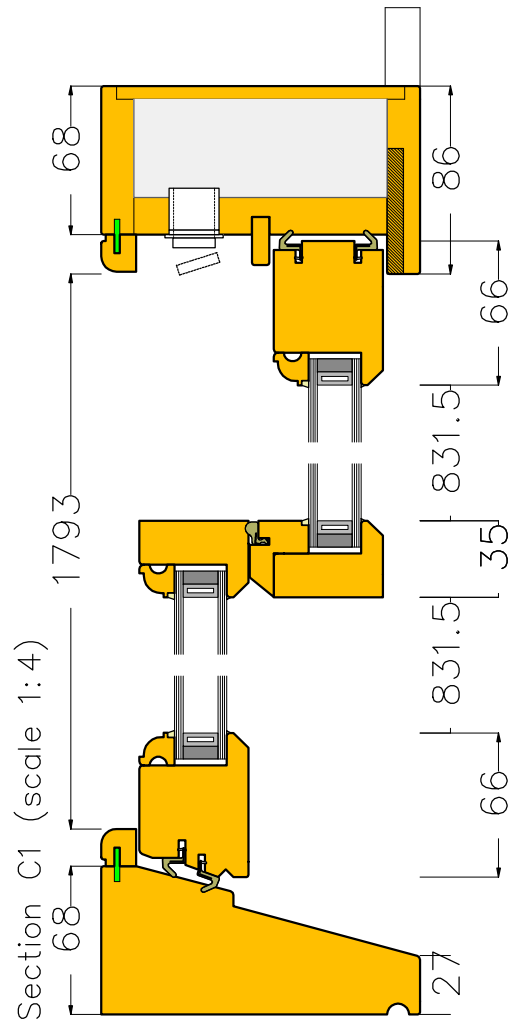
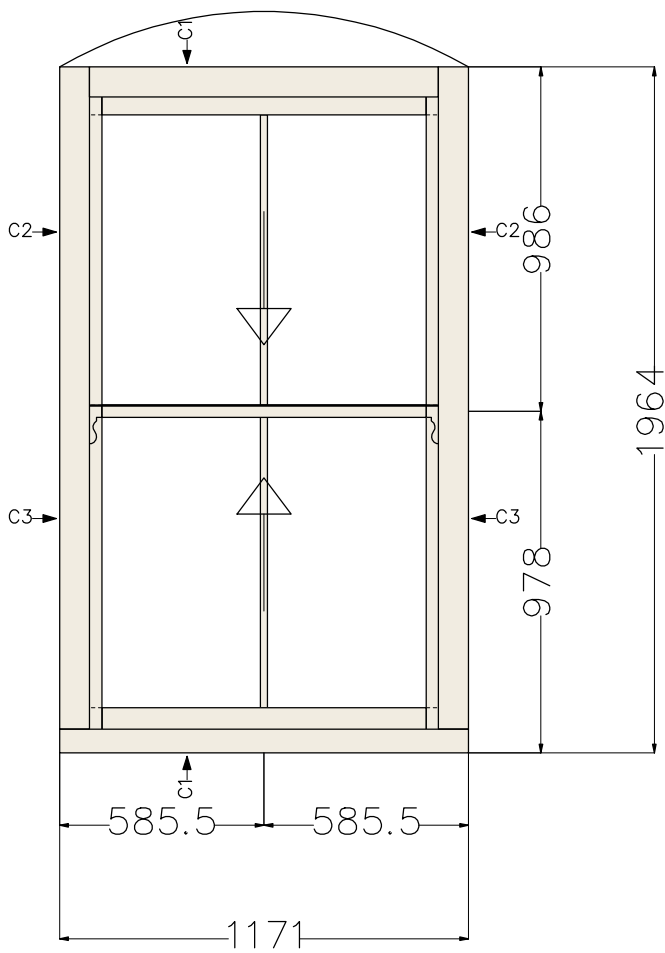
Section C2 (scale 1:4)



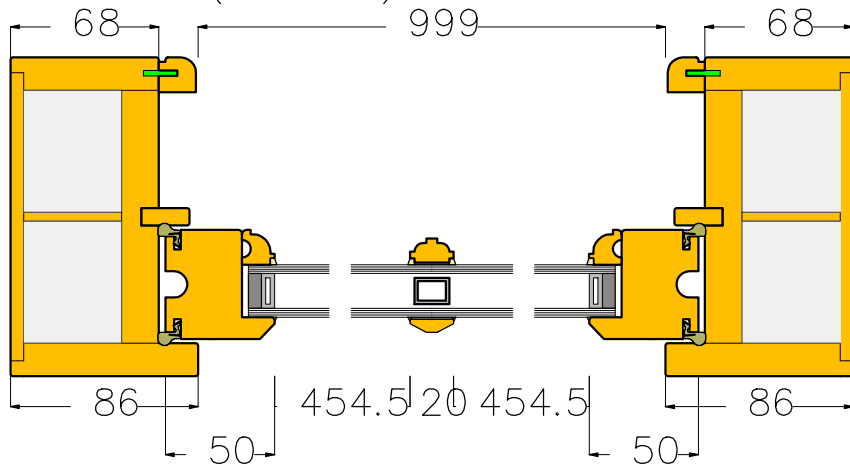
Section C3 (scale 1:4)



View from outside (scale 1:25)



Section C2 (scale 1:4)



Section C3 (scale 1:4)

