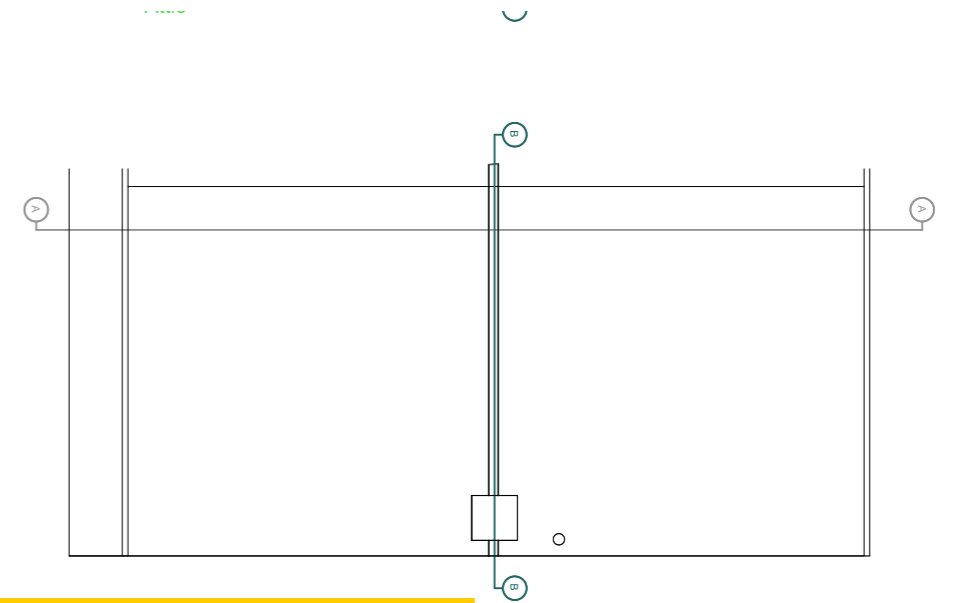


# TREADLIGHTER



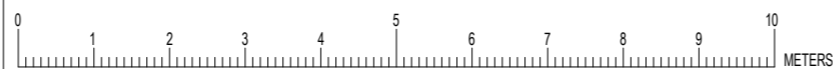
Treadlighter : 264 Merton Rd, Southfields, London SW18 5JL  
Tel. 020 8944 9963



Existing Roof Plan

NOTES:  
THIS DRAWING IS FOR PLANNING PURPOSES ONLY AND SHOULD NOT BE USED FOR CONSTRUCTION OR FOR MEASURING TO ORDER/ PURCHASE ANY ITEM.  
ALL DIMENSIONS SHOULD BE CHECKED ON SITE CAREFULLY PRIOR TO START ANY BUILDING WORKS.  
DRAWINGS PREPARED BY MDA FOR THIS PROJECT ONLY, NOT TO BE USED FOR ANY OTHER ADDRESS WITHOUT AUTHORISATION/

CH: Ceiling Height (Height above floor level at indicated point)  
TWS: Height from floor level to top of window sill  
WH: Window height from top of sill to window head  
DH: Door height  
(All measurements to be checked on site by contractor before ordering materials)



TL5187 V1.0  
1:100 @ A3  
11/12/2024