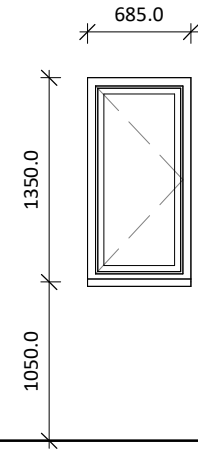
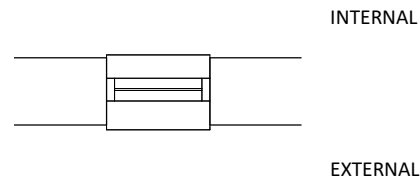


**TYPE - W01**



1 x Side Hung Opening Light - Inward Opening

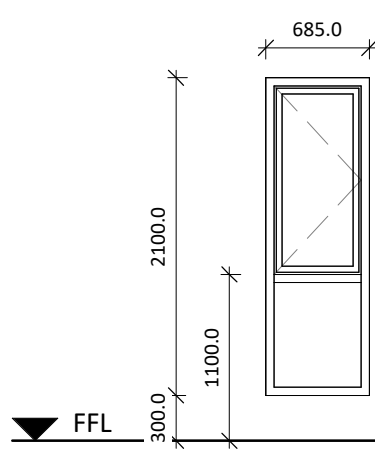
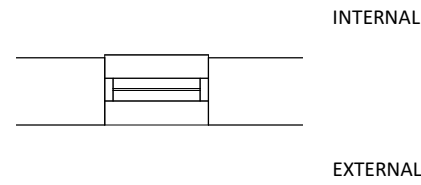
Metal Framed Window

685mm Wide S/O  
1350mm Height S/O

FRAME COLOUR: See Schedule

**REFER TO MANUFACTURER'S DETAILS FOR SPECIFIC WINDOW DIMENSIONS**

**TYPE - W02**



1 x Side Hung Opening Light - Inward Opening  
1 x Fixed Light (Bottom)

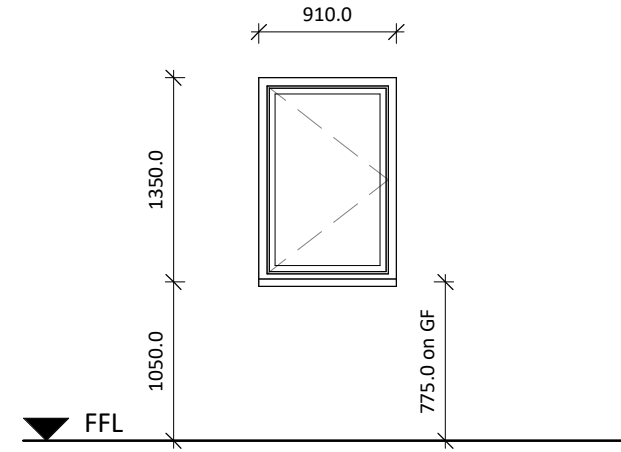
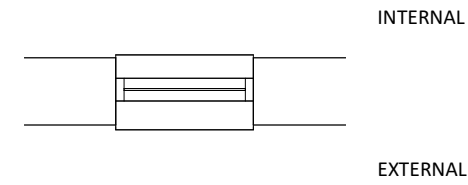
Metal Framed Window

685mm Wide S/O  
2100mm Height S/O

FRAME COLOUR: See Schedule

**REFER TO MANUFACTURER'S DETAILS FOR SPECIFIC WINDOW DIMENSIONS**

**TYPE - W03**



1 x Side Hung Opening Light - Inward Opening

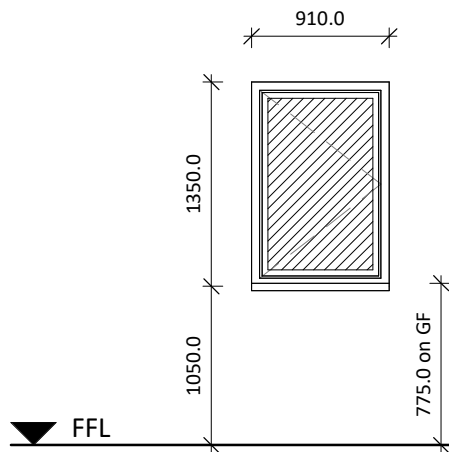
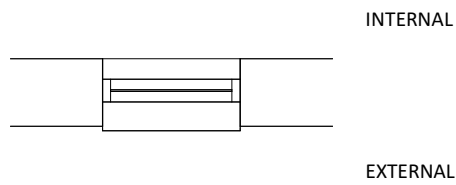
Metal Framed Window

910mm Wide S/O  
1350mm Height S/O

FRAME COLOUR: See Schedule

**REFER TO MANUFACTURER'S DETAILS FOR SPECIFIC WINDOW DIMENSIONS**

**TYPE - W03A**



1 x Side Hung Opening Light - Inward Opening  
Frosted

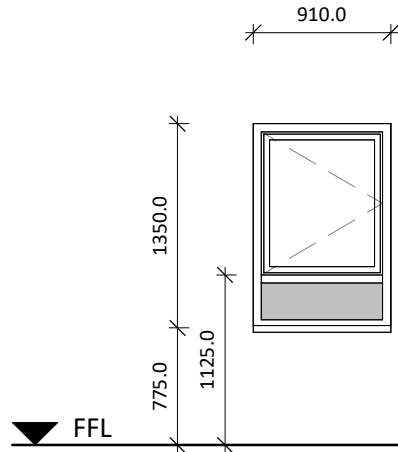
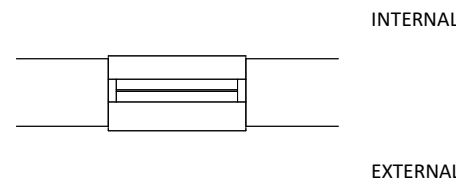
Metal Framed Window

910mm Wide S/O  
1350mm Height S/O

FRAME COLOUR: See Schedule

**REFER TO MANUFACTURER'S DETAILS FOR SPECIFIC WINDOW DIMENSIONS**

**TYPE - W03B**



1 x Side Hung Opening Light - Inward Opening  
1 x Fixed Light (Bottom) Opaque

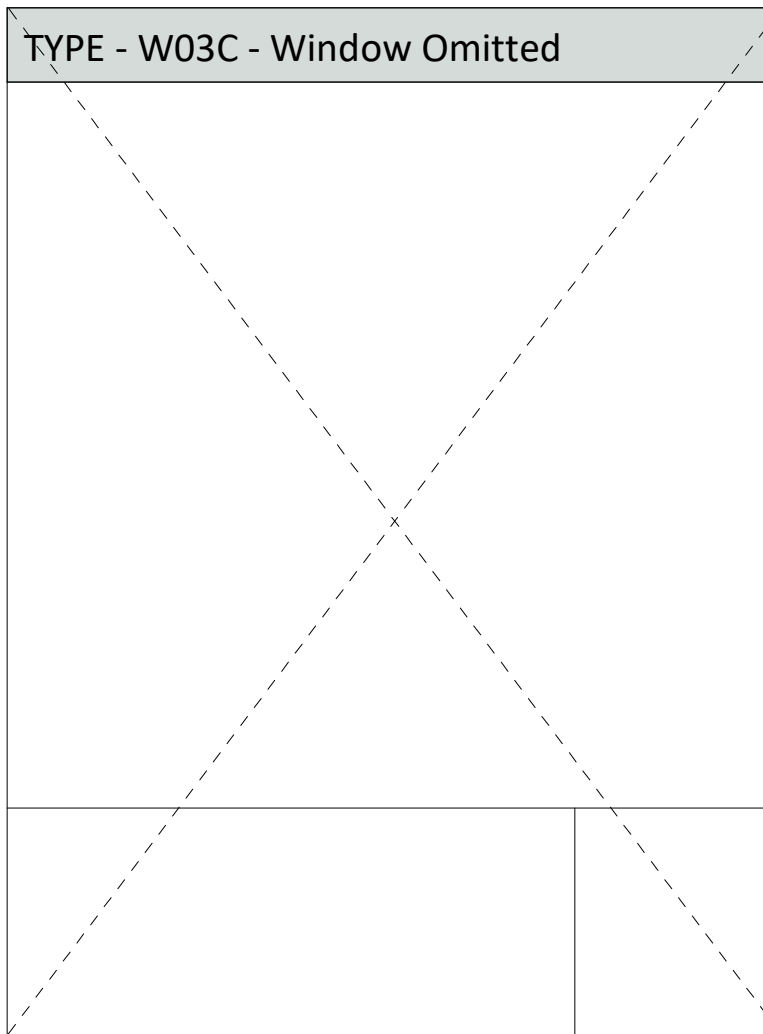
Metal Framed Window

910mm Wide S/O  
1350mm Height S/O

FRAME & OPAQUE PANEL COLOUR: See Schedule

**REFER TO MANUFACTURER'S DETAILS FOR SPECIFIC WINDOW DIMENSIONS**

**TYPE - W03C - Window Omitted**



Notes:  
Do not scale. All dimensions are in millimetres unless otherwise stated. This drawing should be read in conjunction with all relevant project information and contract documentation. All dimensions to be checked prior to fabrication and or commencement of works. All works to comply with all relevant legal standards, building regulations and warranty provider requirements. Report any discrepancies, if in doubt ask.

Revisions:					
Rev	Status	Date	Description	Drn	Chkd
C01	A4	14.08.24	Construction Issue	FA	RB

Client Name:		London Square			
Project Name:		Richmond College			
Drawing Name:		Window Types W01 - W03C - Sheet 1			
Drawing Number:		DL0300-BPW-XXX-XX-SH-A-02010		Rev:	Status:
				C01	A4
Project No:	RIBA Stage:	Drawn By:	Scale:		
23-057	4	RQ	1:50 @ A3		

**CONSTRUCTION**

40 Norman Road,  
Greenwich, London  
SE10 9QX

t. 020 8293 5175  
bptw.co.uk

