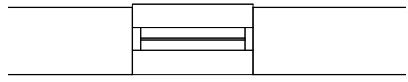
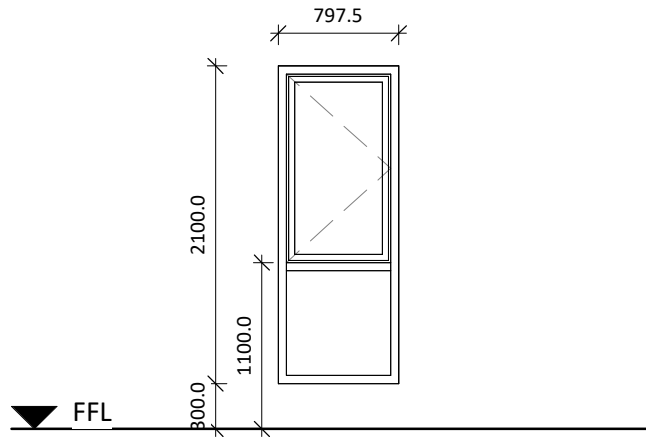


TYPE - W19

INTERNAL



EXTERNAL



1 x Side Hung Opening Light - Inward Opening
1 x Fixed Light (Bottom)

Metal Framed Window

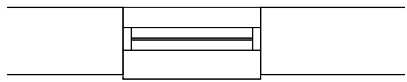
797.5mm Wide S/O
2100mm Height S/O

FRAME COLOUR: See Schedule

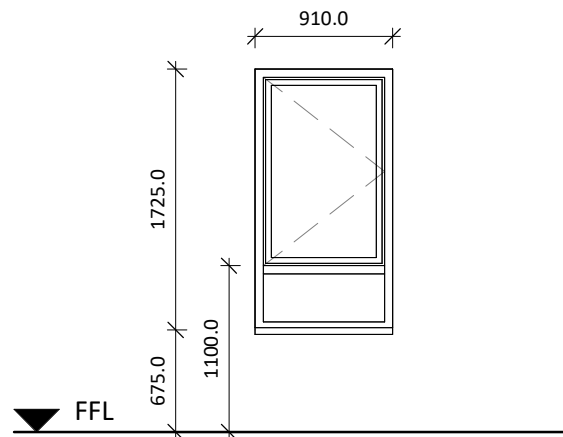
**REFER TO
MANUFACTURER'S
DETAILS FOR
SPECIFIC WINDOW
DIMENSIONS**

TYPE - W20

INTERNAL



EXTERNAL



1 x Side Hung Opening Light - Outward Opening
1 x Fixed Light (Bottom)

Metal Framed Window

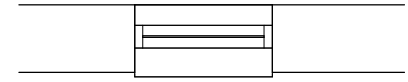
910mm Wide S/O
1725mm Height S/O

FRAME COLOUR: See Schedule

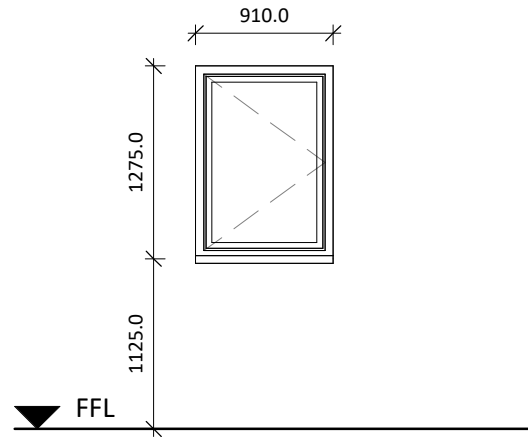
**REFER TO
MANUFACTURER'S
DETAILS FOR
SPECIFIC WINDOW
DIMENSIONS**

TYPE - W21

INTERNAL



EXTERNAL



1 x Side Hung Opening Light - Inward Opening

Metal Framed Window

910mm Wide S/O
1275mm Height S/O

FRAME COLOUR: See Schedule

**REFER TO
MANUFACTURER'S
DETAILS FOR
SPECIFIC WINDOW
DIMENSIONS**

Notes:
Do not scale. All dimensions are in millimetres unless otherwise stated. This drawing should be read in conjunction with all relevant project information and contract documentation. All dimensions to be checked prior to fabrication and or commencement of works. All works to comply with all relevant legal standards, building regulations and warranty provider requirements. Report any discrepancies, if in doubt ask.

Rev	Status	Date	Description	Drn	Chkd
C01	A4	14.08.24	Construction Issue	FA	RB

Client Name:	London Square
Project Name:	Richmond College
Drawing Name:	Window Types W19 - W21 - Sheet 5
Drawing Number:	DL0300-BPTW-XXX-XX-SH-A-02050
Rev:	C01
Status:	A4
Project No:	23-057
RIBA Stage:	4
Drawn By:	MP
Scale:	1:50 @ A3

CONSTRUCTION

40 Norman Road,
Greenwich, London
SE10 9QX

t. 020 8293 5175
bptw.co.uk

