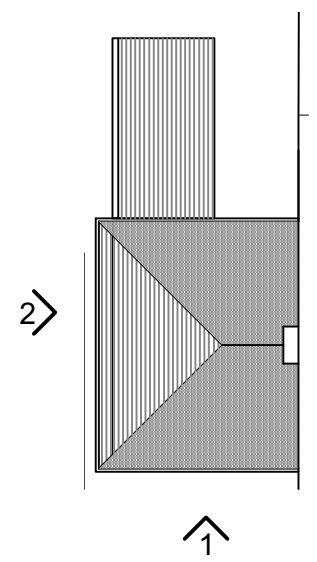
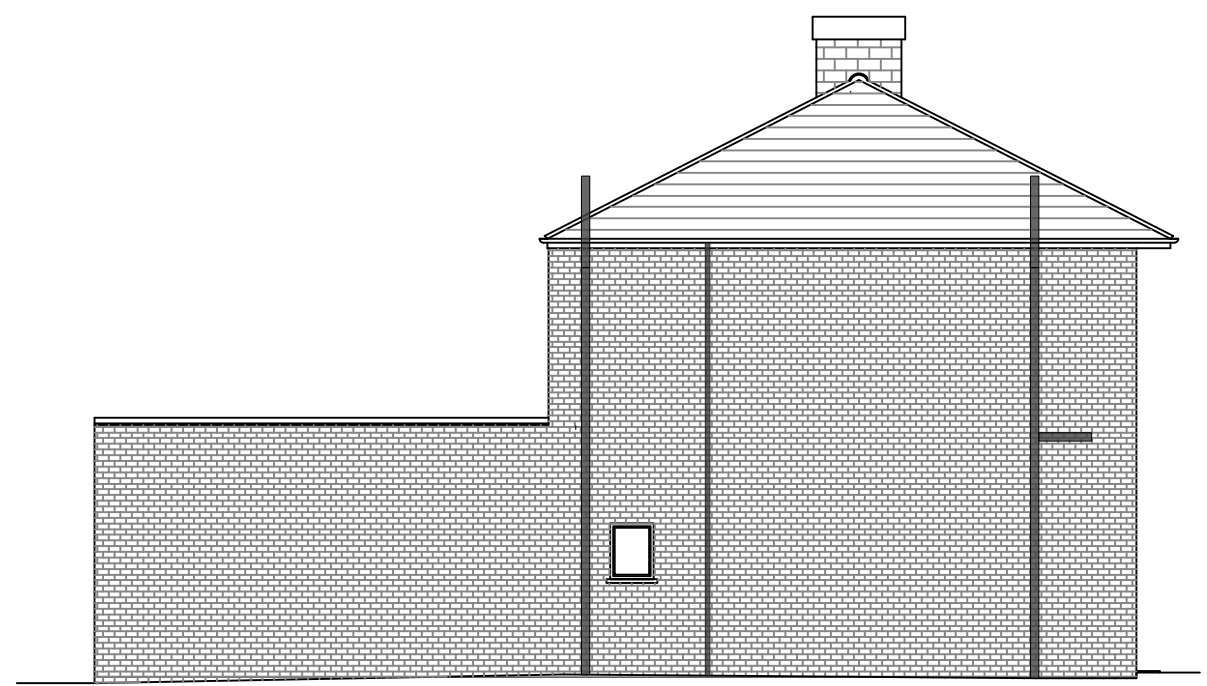
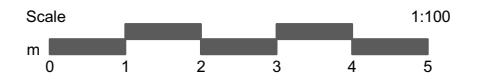



- Notes**
- Do not scale from drawing
 - All dimensions to be checked on site
 - All levels to be checked on site
 - Setting out to be checked on site
 - Drawings to be read in conjunction with S.E. Package
 - Drawing is copyright of Thames Design and Build



Roof Plan



Existing Front (1) and Side (2) Elevation

Planning Drawings			
Rev.	Date	Init.	Revision Note
 Architectural and Building Services Ditton Garages, Thames Ditton, Surrey, KT7 0UL 0207 998 7820 thamesdesignandbuild.com			
Project 253 - 22 Queen's Road			
Site Address 22 Queen's Road, Teddington, TW11 0LR			
Client Mr and Mrs Wood			
Drawing Title Existing Front (1) and Side (2) Elevation			
Date	Scale	Drawn	Checked
12/24	1:100@A3	JB	MB
Drawing Number TDB-253-EX-10			Revision