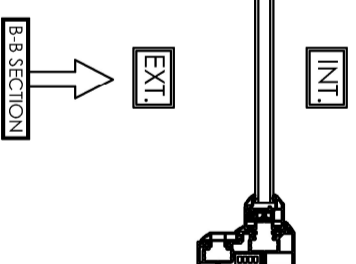
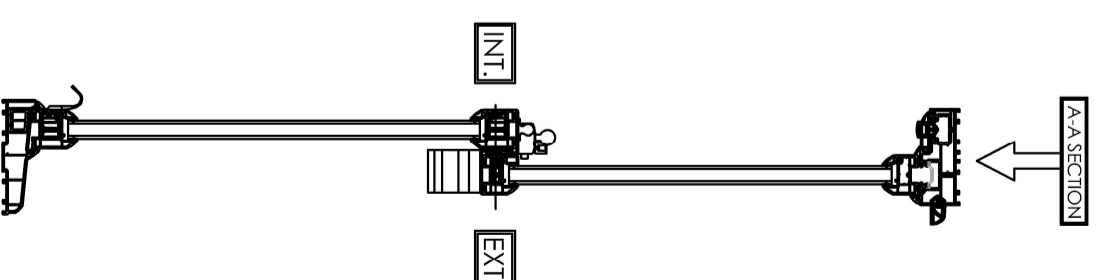
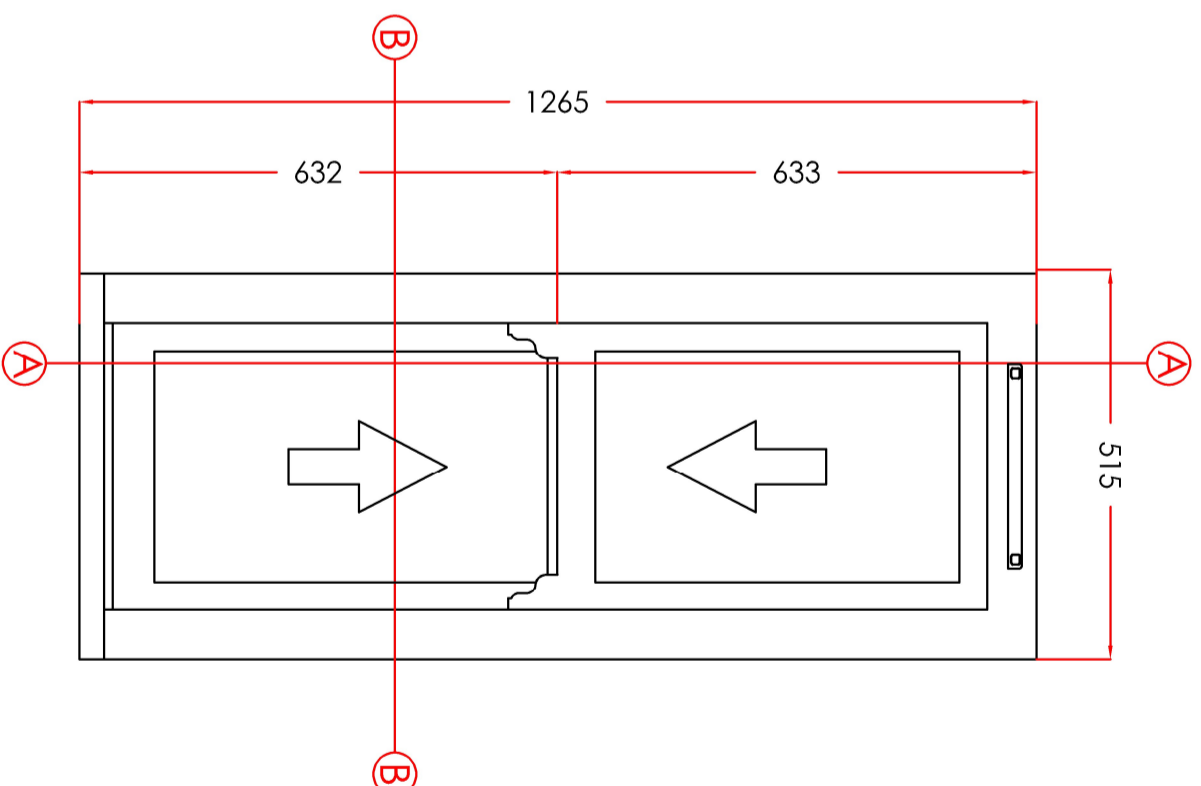


**7. TOP BED FRONT**

MATERIAL - PVCu  
INTERNAL & EXTERNAL COLOUR - WHITE  
GLAZING - 24MM SEALED UNITS



**8. TOP BED REAR L**

MATERIAL - PVCu  
INTERNAL & EXTERNAL COLOUR - WHITE  
GLAZING - 24MM SEALED UNITS

**VIEWED EXTERNALLY**

THESE DRAWINGS ARE THE PROPERTY OF ANGLIAN HOME IMPROVEMENTS AND MUST NOT BE USED, DISTRIBUTED, LOANED OR COPIED WITHOUT THE EXPRESS PERMISSION OF ANGLIAN HOME IMPROVEMENTS.



Scale - 1:10  
(Produced on A3 Paper)

Sheet 4 Of 6

Drawers initials: JG

**CONTRACT No.:** 30438967

**date:** 09/01/2025

**PROPOSED:** WINDOW REPLACEMENT

**AT:** (INSTALLATION ADDRESS)  
34 ADMIRALTY WAY  
TEDDINGTON  
MIDDLESEX  
TW11 0NL

V1 September 2024

