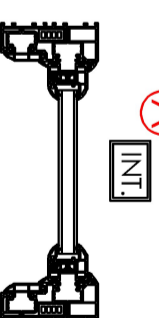
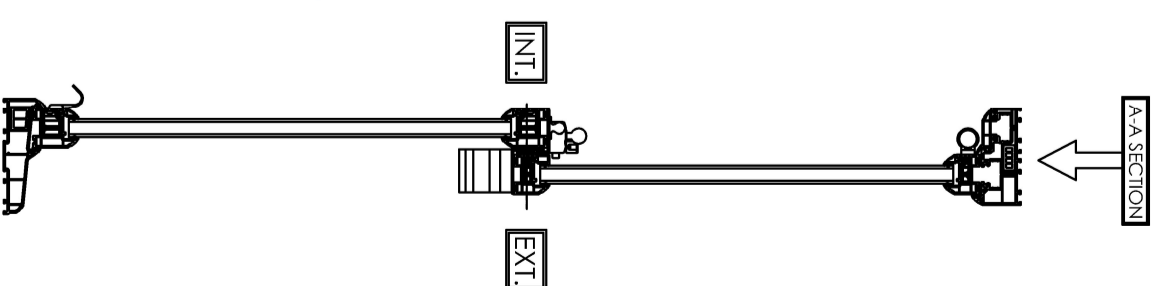
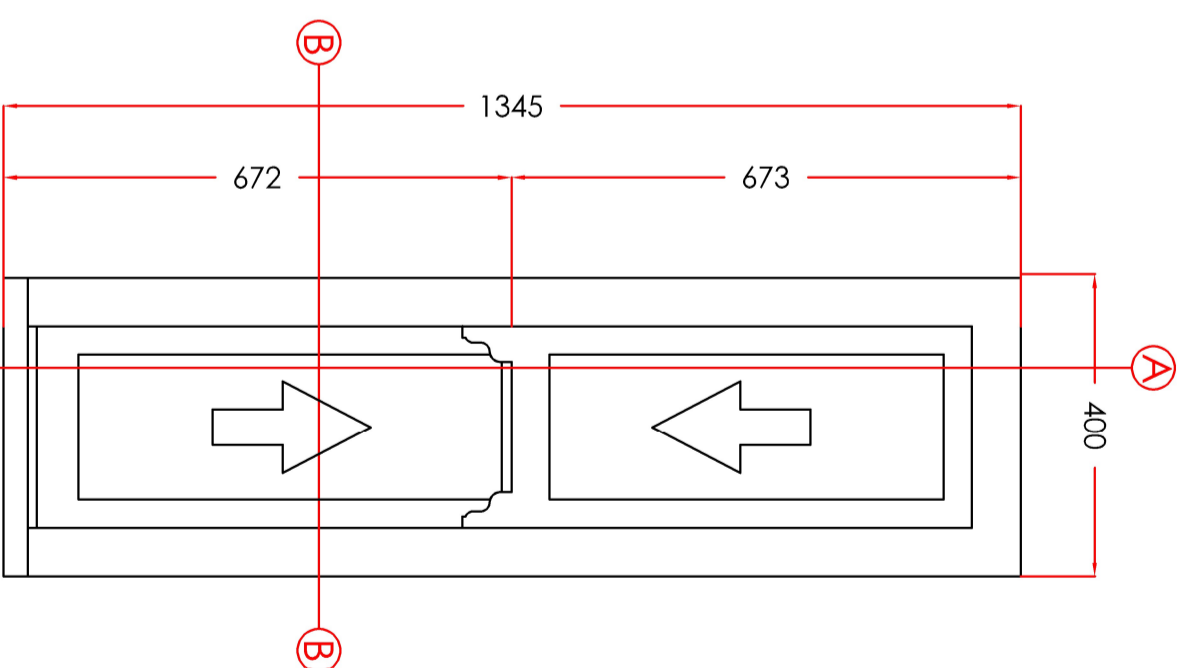


**9. TOP BED REAR R**

MATERIAL - PVCU  
INTERNAL & EXTERNAL COLOUR - WHITE  
GLAZING - 24MM SEALED UNITS



**10. FRONT BEDROOM L**

MATERIAL - PVCU  
INTERNAL & EXTERNAL COLOUR - WHITE  
GLAZING - 24MM SEALED UNITS

**VIEWED EXTERNALLY**

THESE DRAWINGS ARE THE PROPERTY OF ANGLIAN HOME IMPROVEMENTS AND MUST NOT BE USED, DISTRIBUTED, LOANED OR COPIED WITHOUT THE EXPRESS PERMISSION OF ANGLIAN HOME IMPROVEMENTS.



Scale - 1:10  
(Produced on A3 Paper)  
Sheet 5 Of 6

Drawers Initials  
JG

**CONTRACT No.:** 30438967      **date:** 09/01/2025

**PROPOSED:** WINDOW REPLACEMENT  
**AT:** (INSTALLATION ADDRESS)  
34 ADMIRALTY WAY  
TEDDINGTON  
MIDDLESEX  
TW11 0NL

