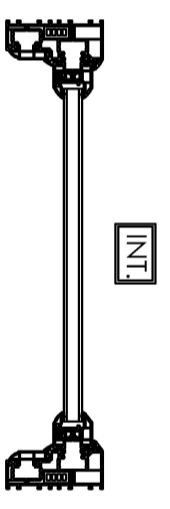
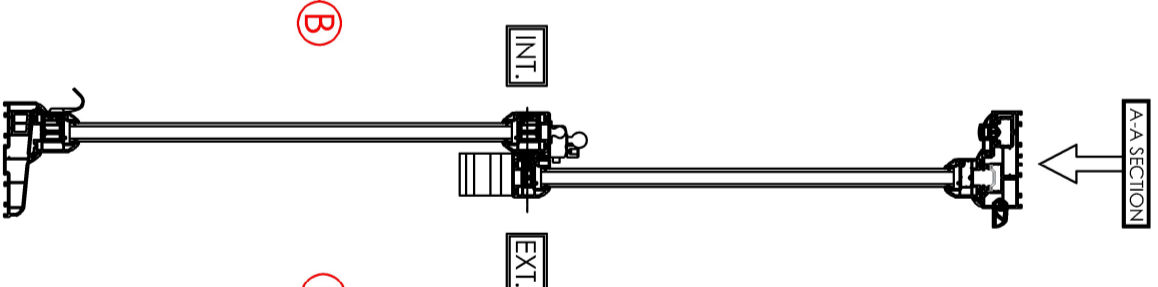
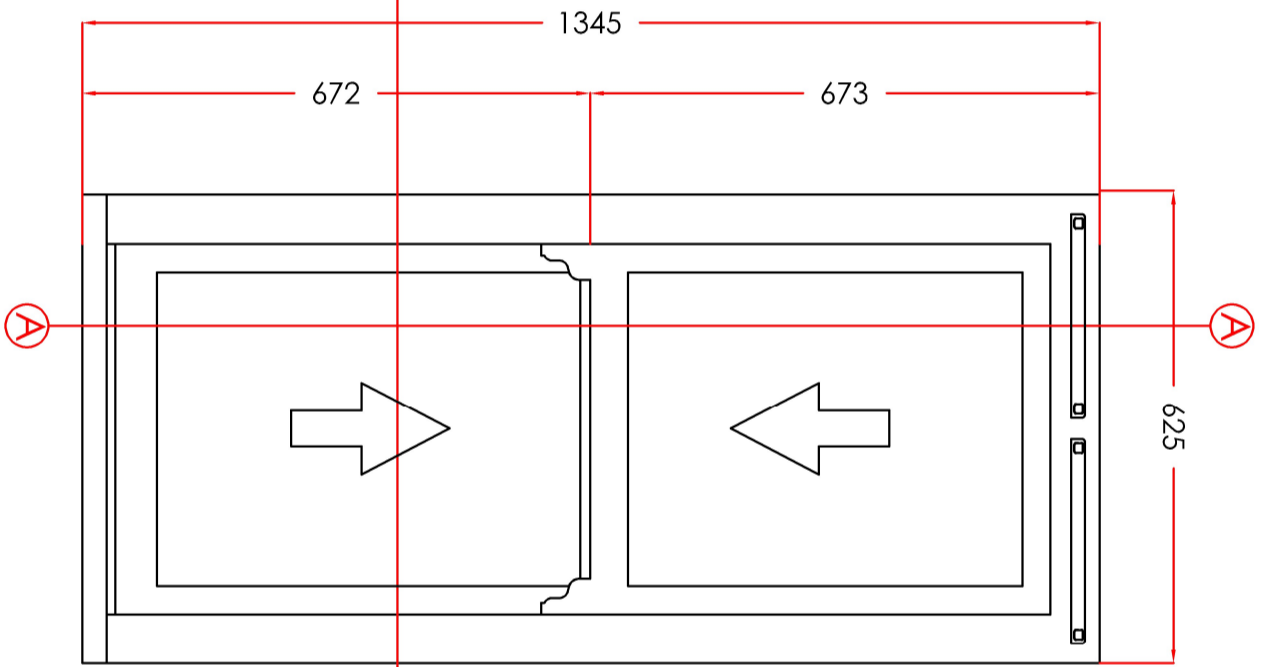


11.1. FRONT ROOM M

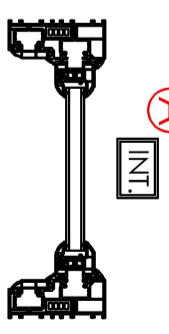
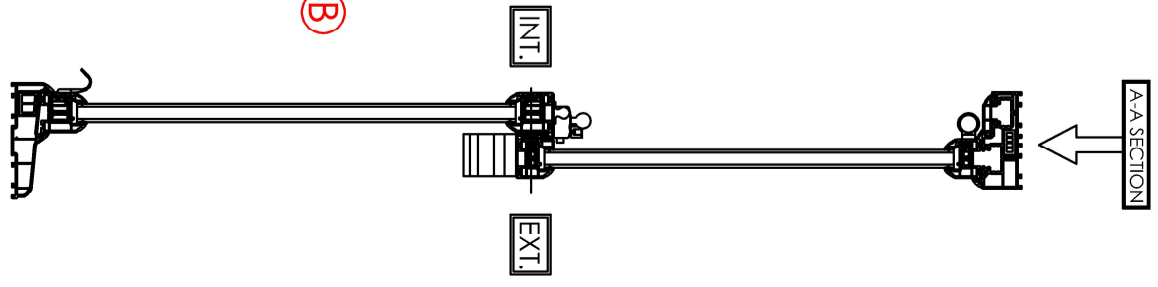
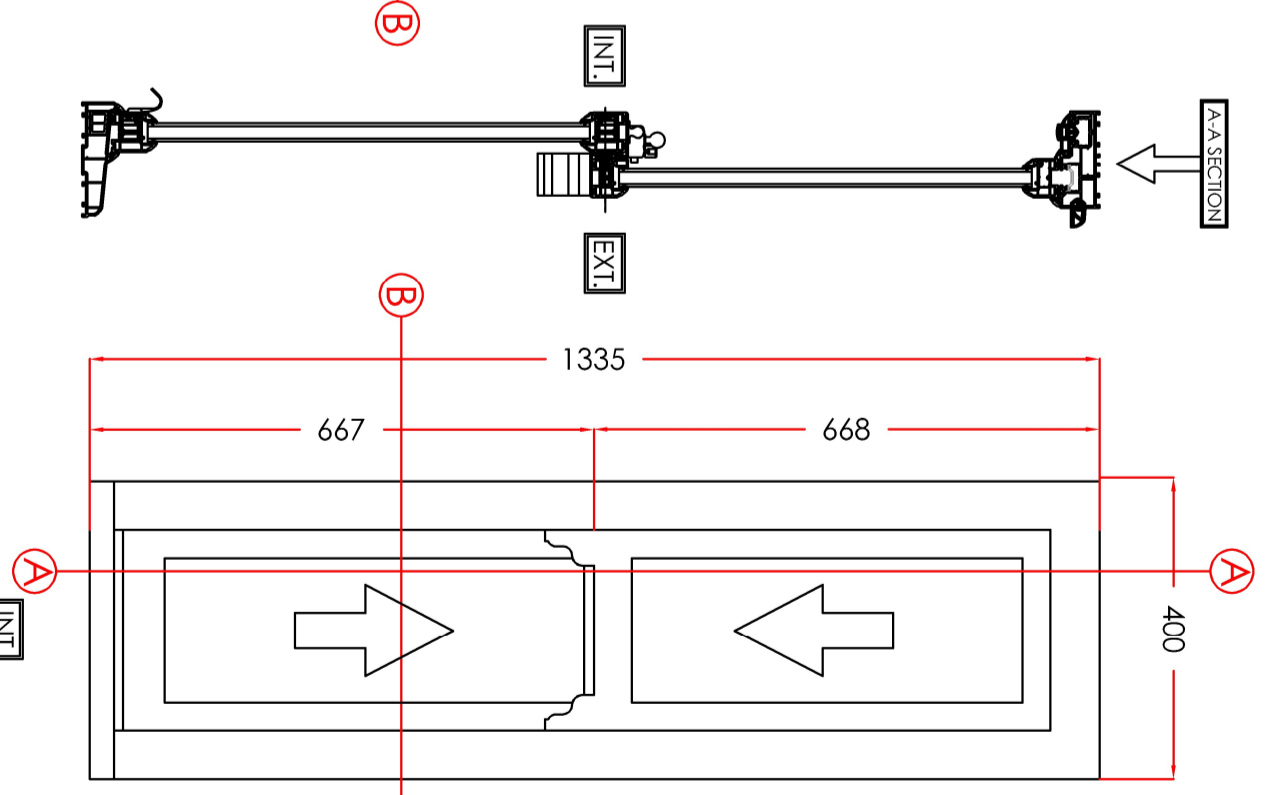
MATERIAL - PVCu  
INTERNAL & EXTERNAL COLOUR - WHITE  
GLAZING - 24MM SEALED UNITS

VIEWED EXTERNALLY



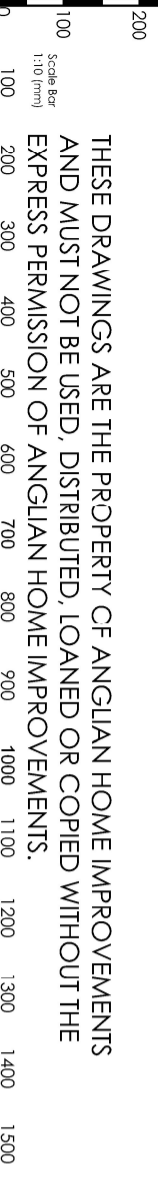
12.1. FRONT ROOM M

MATERIAL - PVCu  
INTERNAL & EXTERNAL COLOUR - WHITE  
GLAZING - 24MM SEALED UNITS



13.1. FRONT ROOM R

MATERIAL - PVCu  
INTERNAL & EXTERNAL COLOUR - WHITE  
GLAZING - 24MM SEALED UNITS



Scale Bar  
1:10 (mm)

THESE DRAWINGS ARE THE PROPERTY OF ANGLIAN HOME IMPROVEMENTS AND MUST NOT BE USED, DISTRIBUTED, LOANED OR COPIED WITHOUT THE EXPRESS PERMISSION OF ANGLIAN HOME IMPROVEMENTS.

Scale - 1:10  
(Produced on A3 Paper)  
Sheet 6 Of 6

Drawers Initials  
JG

CONTRACT No.: 30438967

date: 09/01/2025

PROPOSED: WINDOW REPLACEMENT  
AT: (INSTALLATION ADDRESS)  
34 ADMIRALTY WAY  
TEDDINGTON  
MIDDLESEX  
TW11 0NL

