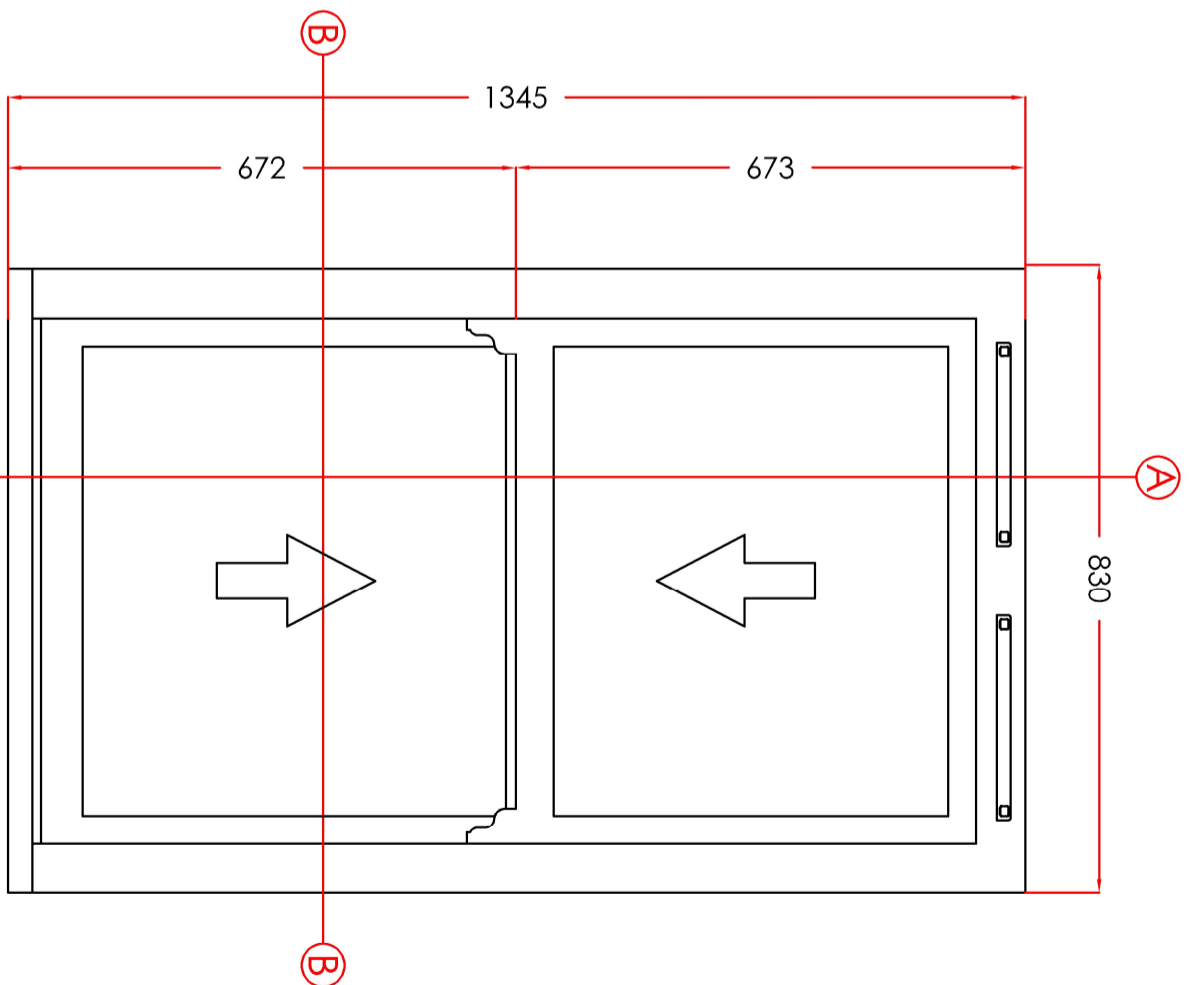
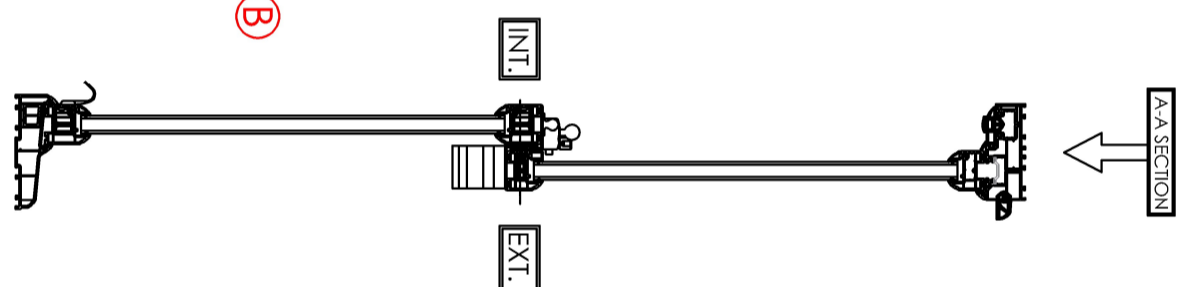


**3. LOUNGE**  
 MATERIAL - PVCU  
 INTERNAL & EXTERNAL COLOUR - WHITE WOODGRAIN  
 GLAZING - 24MM SEALED UNITS

**VIEWED EXTERNALLY**

THESE DRAWINGS ARE THE PROPERTY OF ANGLIAN HOME IMPROVEMENTS AND MUST NOT BE USED, DISTRIBUTED, LOANED OR COPIED WITHOUT THE EXPRESS PERMISSION OF ANGLIAN HOME IMPROVEMENTS.



**4. LANDING**  
 MATERIAL - PVCU  
 INTERNAL & EXTERNAL COLOUR - WHITE  
 GLAZING - 24MM SEALED UNITS

**CONTRACT No.:** 30438967

**date:** 09/01/2025

**PROPOSED:** WINDOW REPLACEMENT  
**AT:** (INSTALLATION ADDRESS)  
 34 ADMIRALTY WAY  
 TEDDINGTON  
 MIDDLESEX  
 TW11 0NL

Scale - 1:10  
 (Produced on A3 Paper)

